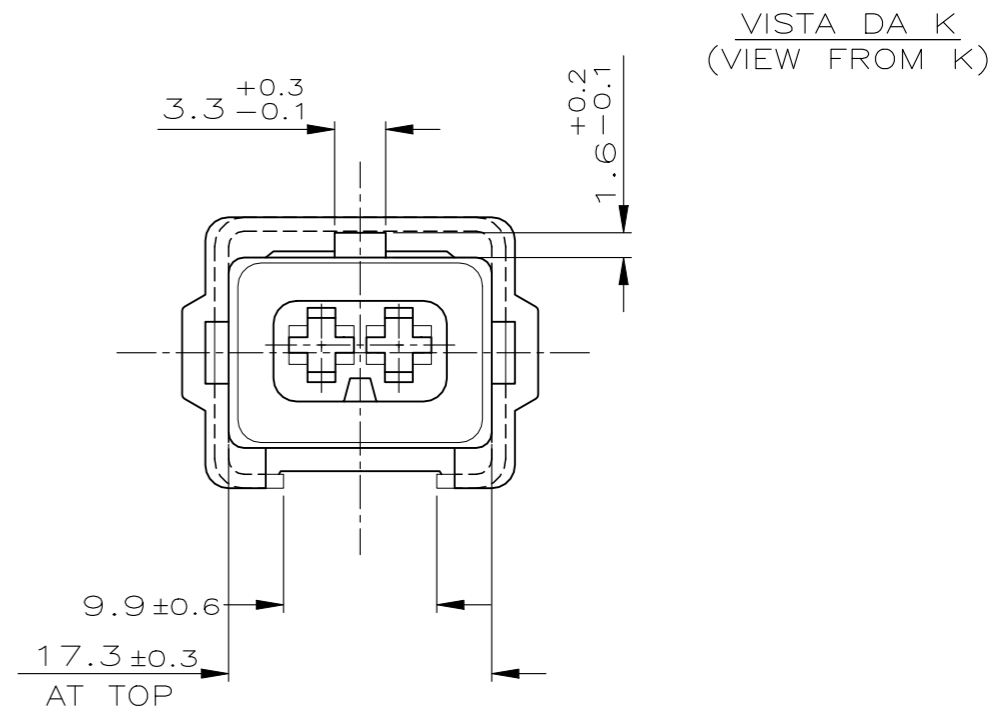
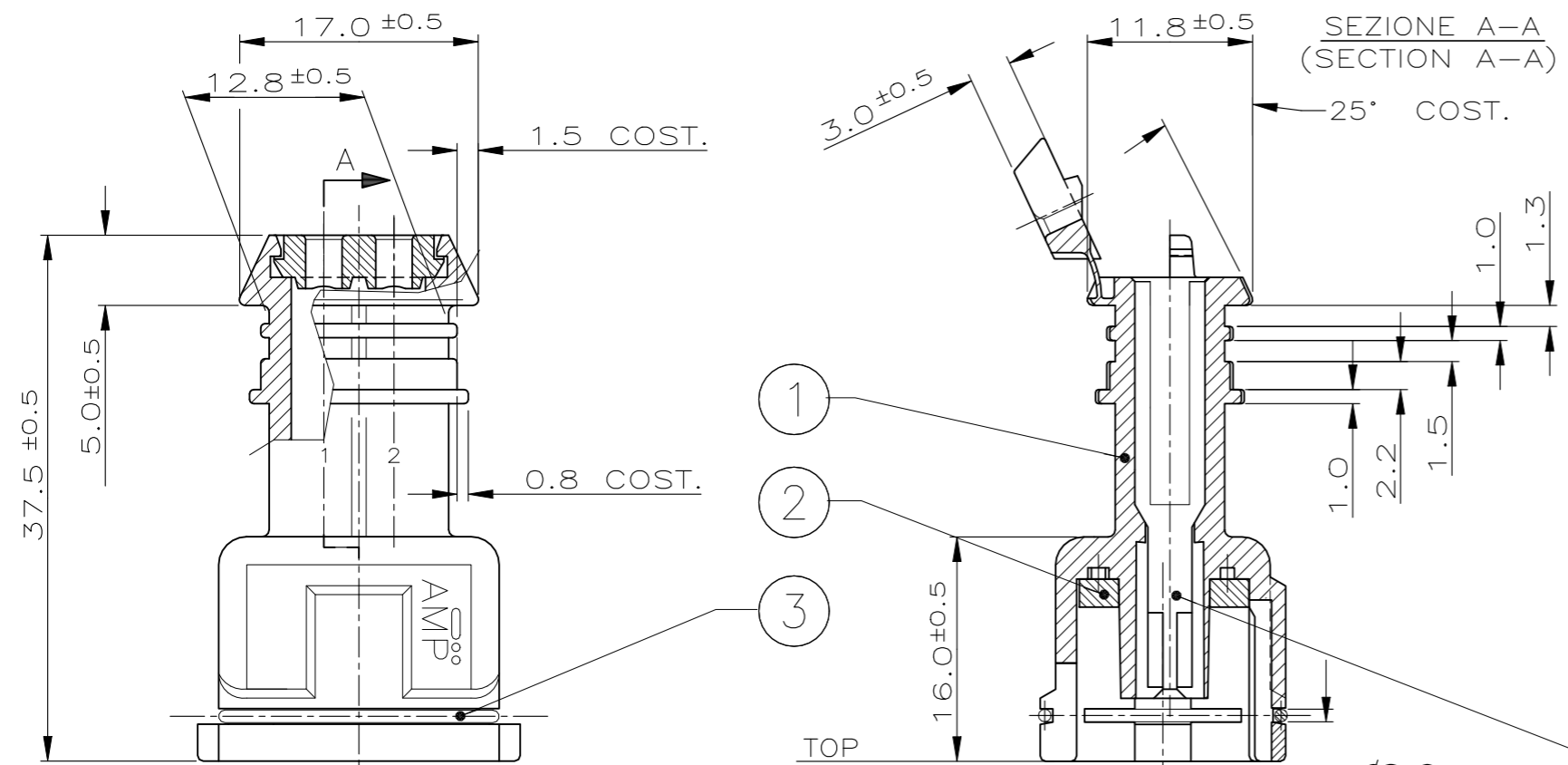


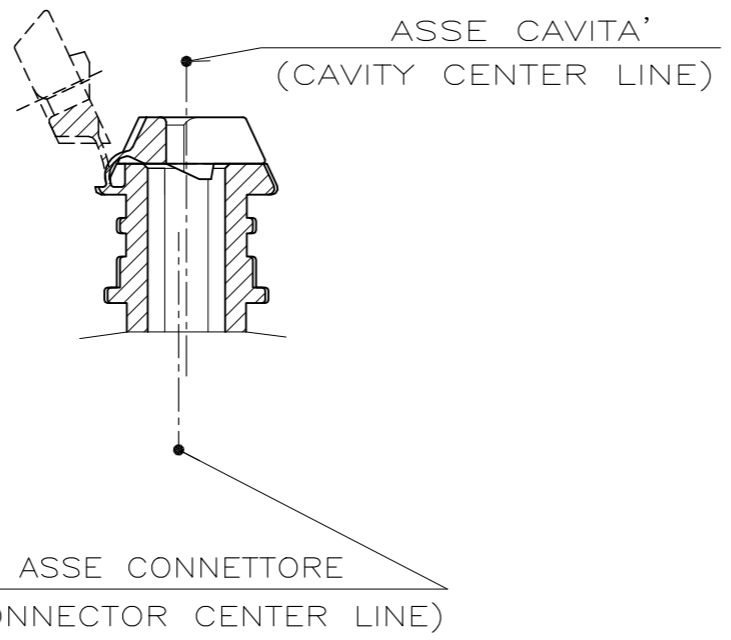
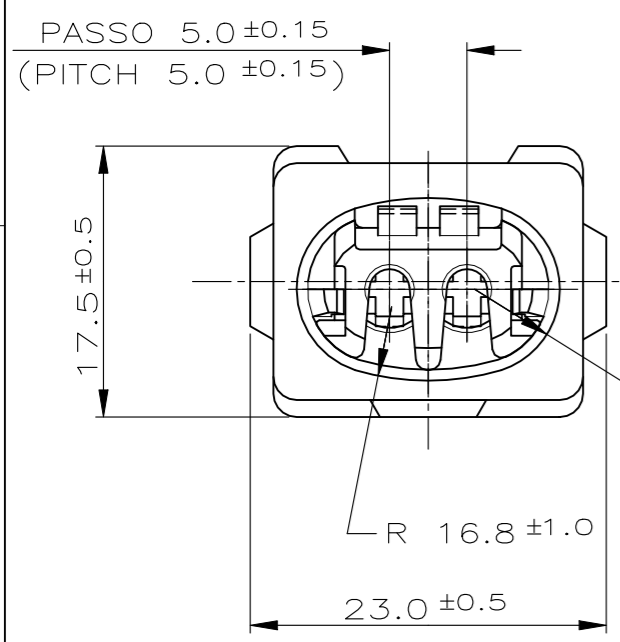
THIS DRAWING IS UNPUBLISHED. RELEASED FOR PUBLICATION
 © COPYRIGHT - By - ALL RIGHTS RESERVED.

LOC		DIST		REVISIONS			
P	LTR	DESCRIPTION		DATE	DWN	APVD	
M1		REVISED PER ECN-22-179584		18OCT2022	AP	VN	

CONNETTORE TIPO B (CON MOLLA DI RITEGNO INTERNA)
 CONNECTOR TYPE B (WITH INTERNAL SPRING)



TIP. CAVITA' PER TERMINALI AMP JPT P/N 929939-...
 OPPURE 929937-... E RELATIVI GOMMINI
 AMP P/N 828904-1, 828905-1, 282536-1.
 TAPPO CAVITA' P/N 828906-2
 (TYP. CAV. FOR JPT CONT. P/N 929939-.. A/O 929937-.. AND REL.
 SINGLE WIRE SEAL P/N 828904-1, 828905-1, 282536-1
 CAVITY PLUG P/N 828906-2)



COLORE / COLOR	NUMERO PART. No	N (ITEM)	FINITURA / COLORE (FINISH / COLOUR)	MATERIALE (MATERIAL)	DESCRIZIONE (DESCRIPTION)
ROSSO (RED)	282190-8			ACCIAIO INOX (STAINLESS STEEL)	MOLLA (SPRING)
GIALLO (YELLOW)	282190-7			GOMMA SILICONICA (SILICONE RUBBER)	GUARNIZIONE (RUBBER GASKET)
MARRONE (BROWN)	282190-6	3	//////	ACCIAIO INOX (STAINLESS STEEL)	MOLLA (SPRING)
BLU (BLUE)	282190-5				
VERDE (GREEN)	282190-4	2	NATURALE (NATURAL)	GOMMA SILICONICA (SILICONE RUBBER)	GUARNIZIONE (RUBBER GASKET)
NATURALE (NATUR)	282190-3			PA 6.6 C.VETRO (PA 6.6-GF)	BLOCCETTO (HOUSING)
GRIGIO (GREY)	282190-2	1	//////	PA 6.6 C.VETRO (PA 6.6-GF)	BLOCCETTO (HOUSING)
NERO (BLACK)	282190-1				

THIS DRAWING IS A CONTROLLED DOCUMENT. DWN 9 NOV 90 Ennio CINI
 CHK 13 OCT 92 C.TARTARI
 APVD - NAME
 PRODUCT SPEC -
 APPLICATION SPEC -
 WEIGHT -
 CUSTOMER DRAWING

TE TE Connectivity
 2 W.SPLASH PROOF CONN.ASS'Y with SECONDARY LOCK

SIZE A3 CAGE CODE 00779 DRAWING NO C=282190 RESTRICTED TO -
 SCALE NTS SHEET 1 OF 2 REV M1

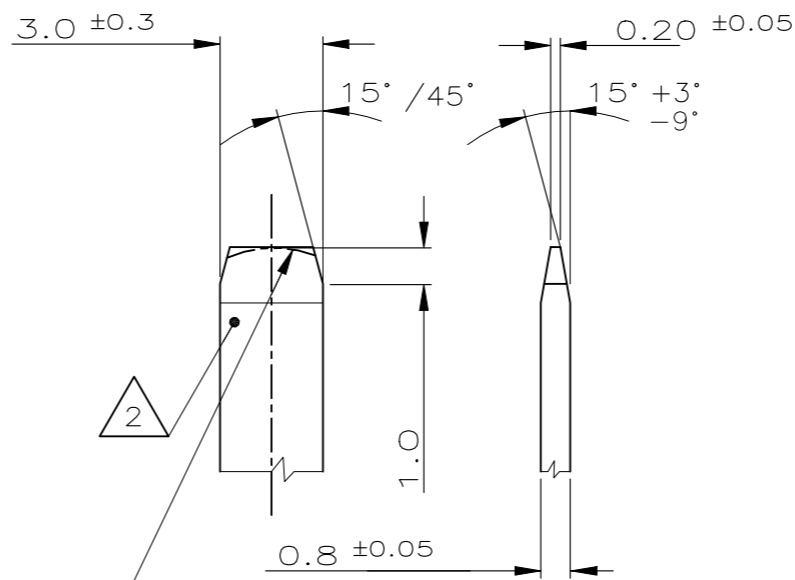
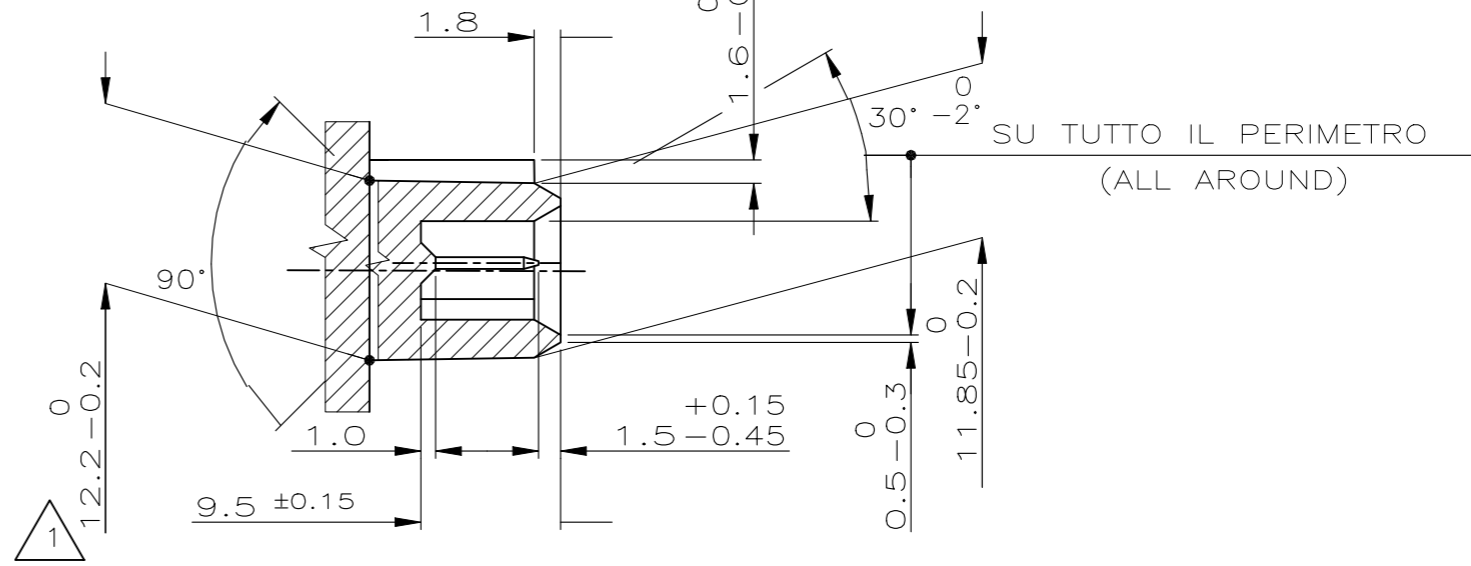
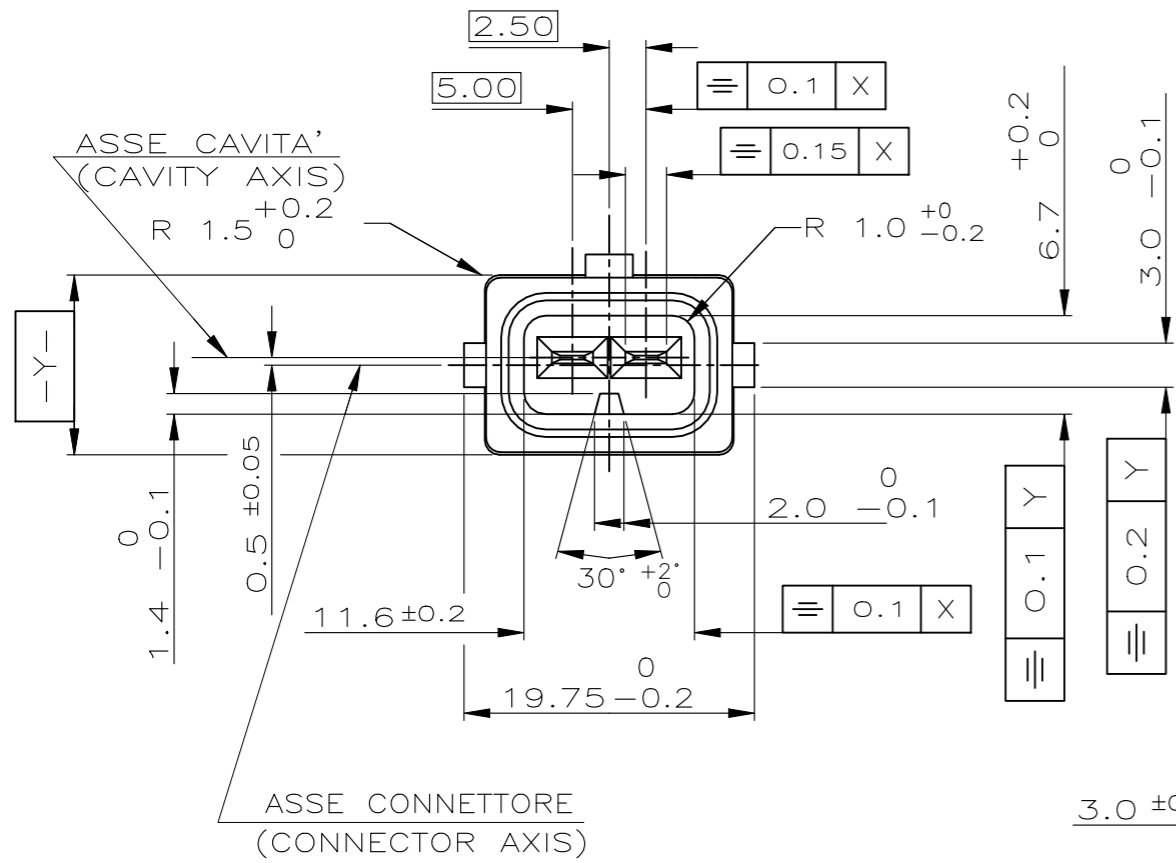
CUSTOMER DWG. FOR REFERENCE ONLY
 DISEGNO PER CLIENTE SOLO PER RIFERIMENTO

DIAM. ISOLANTE (INS. DIA. RANGE)	RANGO FILO (WIRE RANGE)
1.5-3.0mm (REDUCED INS.CABLE)	0.5-2.5 mm ²

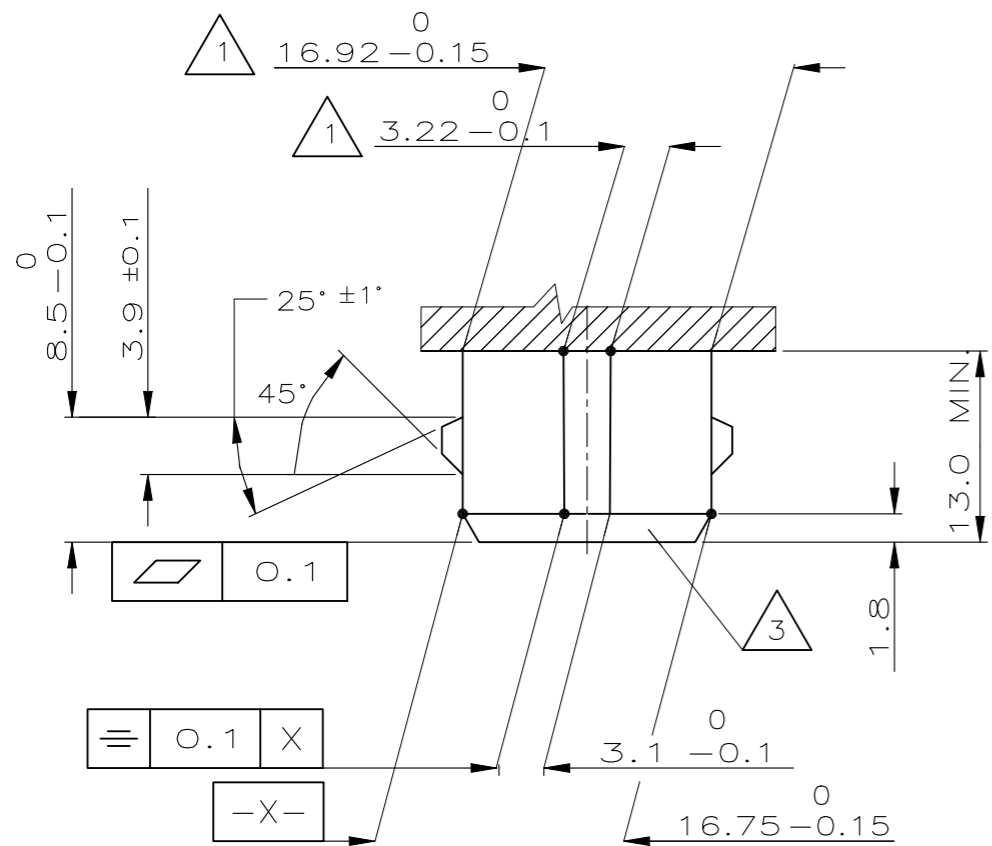
METRIC

METRIC

LOC		DIST		REVISIONS			
P	LTR	DESCRIPTION		DATE	DWN	APVD	
-	-	SEE SHEET 1		-	-	-	



- 1 QUOTE APPLICABILI PER SFORMATURA PEZZO (RIGHT DIMENSIONS FOR EXTRACTION ITEM FROM THE MOULD)
- 2 MATERIALE CONTATTI: LEGA DI RAME STAGNATA, ES. OTTONE STAGNATO. (TAB MATERIAL: TINNED Cu ALLOY, E.G. TINNED BRASS)
- 3 MATERIALE BLOCCHETTO: TERMOPLASTICO CARICATO FIBRA VETRO. (HOUSING MATERIAL: THERMOPLASTIC GLASS FIBER FILLED).



THIS DRAWING IS A CONTROLLED DOCUMENT.

DIMENSIONS: mm	TOLERANCES UNLESS OTHERWISE SPECIFIED:	DWN	-
	0 PLC ± -	CHK	-
	1 PLC ± 0.3	APVD	-
	2 PLC ± -	PRODUCT SPEC	-
	3 PLC ± -	APPLICATION SPEC	-
	4 PLC ± -	WEIGHT	-
	ANGLES ± 2°	CUSTOMER DRAWING	SCALE NTS SHEET 2 OF 2 REV M1
MATERIAL	FINISH		

FINITURA / COLORE (FINISH / COLOUR)	MATERIALE (MATERIAL)	NUMERO (PART NUMBER)
CUSTOMER DWG. FOR REFERENCE ONLY	DISEGNO PER CLIENTE SOLO PER RIFERIMENTO	
STE TE Connectivity		
2 POS.SPLASH PROOF CONN.ASS'Y with SECONDARY LOCK		
SIZE	CAGE CODE	DRAWING NO
A3	00779	C=282190