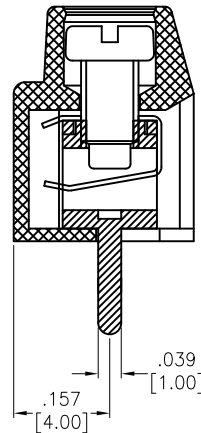
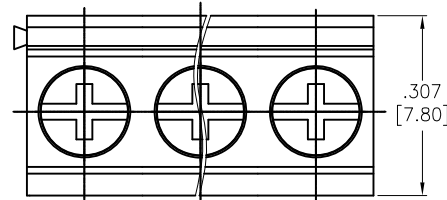
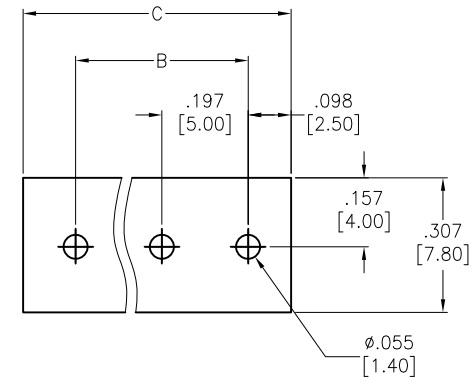
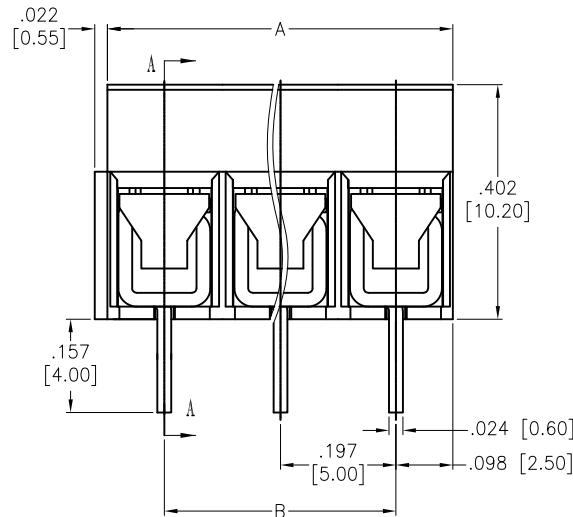


APPROVED: _____
 DATE: _____ TITLE: _____

Rev	AWO #	Description	Date	Appr
-		RELEASED	01/08/13	
A		UPDATED DRAWING	4/29/15	HR/GC
B		UPDATED SPEC.	8/30/18	AY/YC
C		UPDATED CURRENT RATING.	7/13/22	SS



SECTION A-A



RECOMMENDED PCB LAYOUT

SPECIFICATIONS:

Material:
 Insulator: PA66, rated UL 94V-0
 Insulator color: Green
 Contact: Brass, Tin plated
 Screws: M2.5 Steel, Zinc plated
 Shrapnel: Phosphor Bronze, Nickel plated
 Electrical:
 Voltage rating: 300V (UL), 250V (IEC)
 Current rating: 8 Amp (UL), 18 Amp (IEC)
 Contact resistance: 20 mohms
 Insulation resistance: 500 Mohms min @ 500 VDC
 Dielectric withstanding voltage: 1600 VAC for 1 minute
 Mechanical:
 Torque: 3 Kgf-cm
 Wire Range: 26-14AWG, 2.5mm²
 Strip Length: 6-7mm
 Temperature Rating:
 Temperature range: -40°C to +105°C
 Environmental:
 Lead free, RoHS compliant.



Positions: 02 thru 24
 A = .197 [5.00] x No. of Positions
 B = .197 [5.00] x No. of Space
 C = .197 [5.00] x No. of Positions + .022 [0.55]

UNLESS OTHERWISE SPECIFIED ALL DIMENSIONS ARE INCHES [MM] TOLERANCES: EXCEPT AS NOTED		 909 Rahway Avenue, Union, NJ 07083 Phone: 908-687-5000 Fax: 908-687-5710	
INCHES HOLES			
.X ± .10	Ø.X ± .10	TITLE EURO BLOCK, .197 [5.00] PITCH, VERTICAL	
.XX ± .020	Ø.XX ± .015		
.XXX ± .015	Ø.XXX ± .010		
APPROVALS		DATE	
DRAWN	TW	01/08/13	
CHECKED	LW	01/08/13	
APPROVED			
SIZE	PART NO.	REV.	
X	EB15A-XX-C-180	C	
REF:	S00067C	SCALE:	NTS
		SHEET 1 OF 1	