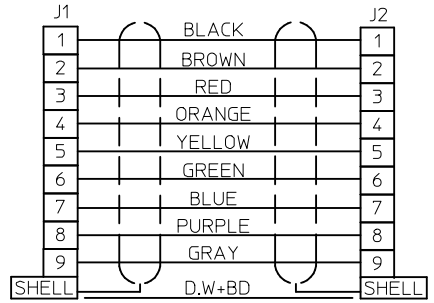


| MATERIAL NO. | ENGINEERING NO. | DIM "A" INCH     | DIM "A" (MM)     |
|--------------|-----------------|------------------|------------------|
| 834219050    | 83421-9050      | 36.00 +.75/-.59  | 914 +20/-15      |
| 834219051    | 83421-9051      | 72.00 +1.50/-.00 | 1829 +40/-00     |
| 834219058    | 83421-9058      | 78.74 +1.50/-.00 | 2000 +40/-00     |
| 834219063    | 83421-9063      | 196.85 +6.5/-.00 | 5000 +165.1/-00  |
| 834219064    | 83421-9064      | 393.7 +12.5/-.00 | 10000 +317.5/-00 |
| 834219065    | 83421-9065      | 787.4 +24.5/-.00 | 20000 +622.3/-00 |



SALES DRAWING

NOTES:  
 1) REFER TO PS-83421-001 FRO PRODUCT SPEC  
 2) RoHS COMPLIANT

| ADDED LAST 3 P/N<br>EC NO: IFG2015-1657<br>2015/03/20<br>DRWN: BARDEN<br>CHKD:<br>APPR: BWOODMAN<br>2015/04/24<br>REV DESCRIPTION | QUALITY SYMBOLS            | GENERAL TOLERANCES (UNLESS SPECIFIED)   | DIMENSION STYLE | SCALE        | DESIGN UNITS | THIRD ANGLE PROJECTION |              |        |  |       |       |          |       |       |         |       |       |   |       |  |          |      |     |          |            |      |     |          |             |      |     |          |     |      |  |
|---|----------------------------|---|-----------------|--------------|--------------|------------------------|--------------|--------|--|-------|-------|----------|-------|-------|---------|-------|-------|---|-------|--|----------|------|-----|----------|------------|------|-----|----------|-------------|------|-----|----------|-----|------|--|
|   | $\nabla=0$<br>$\nabla C=0$ | <table border="1"> <thead> <tr> <th></th> <th>mm</th> <th>INCH</th> </tr> </thead> <tbody> <tr> <td>4 PLACES</td> <td>± ---</td> <td>± ---</td> </tr> <tr> <td>3 PLACES</td> <td>± ---</td> <td>± ---</td> </tr> <tr> <td>2 PLACES</td> <td>± ---</td> <td>± ---</td> </tr> <tr> <td>1 PLACE</td> <td>± ---</td> <td>± ---</td> </tr> </tbody> </table> |                 | mm           | INCH         | 4 PLACES               | ± ---        | ± ---  | 3 PLACES   | ± --- | ± --- | 2 PLACES | ± --- | ± --- | 1 PLACE | ± --- | ± --- | <table border="1"> <thead> <tr> <th colspan="2">IN/MM</th> </tr> </thead> <tbody> <tr> <td>DRAWN BY</td> <td>DATE</td> </tr> <tr> <td>JAL</td> <td>02/03/26</td> </tr> <tr> <td>CHECKED BY</td> <td>DATE</td> </tr> <tr> <td>HEB</td> <td>02/03/27</td> </tr> <tr> <td>APPROVED BY</td> <td>DATE</td> </tr> <tr> <td>RWD</td> <td>02/03/28</td> </tr> </tbody> </table> | IN/MM |  | DRAWN BY | DATE | JAL | 02/03/26 | CHECKED BY | DATE | HEB | 02/03/27 | APPROVED BY | DATE | RWD | 02/03/28 | 2:1 | INCH |  |
|   |                            | mm  | INCH            |              |              |                        |              |        |  |       |       |          |       |       |         |       |       |   |       |  |          |      |     |          |            |      |     |          |             |      |     |          |     |      |  |
|   | 4 PLACES                   | ± ---   | ± ---           |              |              |                        |              |        |  |       |       |          |       |       |         |       |       |   |       |  |          |      |     |          |            |      |     |          |             |      |     |          |     |      |  |
| 3 PLACES  | ± ---                      | ± ---   |                 |              |              |                        |              |        |  |       |       |          |       |       |         |       |       |   |       |  |          |      |     |          |            |      |     |          |             |      |     |          |     |      |  |
| 2 PLACES  | ± ---                      | ± ---   |                 |              |              |                        |              |        |  |       |       |          |       |       |         |       |       |   |       |  |          |      |     |          |            |      |     |          |             |      |     |          |     |      |  |
| 1 PLACE   | ± ---                      | ± ---   |                 |              |              |                        |              |        |  |       |       |          |       |       |         |       |       |   |       |  |          |      |     |          |            |      |     |          |             |      |     |          |     |      |  |
| IN/MM   |                            |   |                 |              |              |                        |              |        |  |       |       |          |       |       |         |       |       |   |       |  |          |      |     |          |            |      |     |          |             |      |     |          |     |      |  |
| DRAWN BY  | DATE                       |   |                 |              |              |                        |              |        |  |       |       |          |       |       |         |       |       |   |       |  |          |      |     |          |            |      |     |          |             |      |     |          |     |      |  |
| JAL   | 02/03/26                   |   |                 |              |              |                        |              |        |  |       |       |          |       |       |         |       |       |   |       |  |          |      |     |          |            |      |     |          |             |      |     |          |     |      |  |
| CHECKED BY  | DATE                       |   |                 |              |              |                        |              |        |  |       |       |          |       |       |         |       |       |   |       |  |          |      |     |          |            |      |     |          |             |      |     |          |     |      |  |
| HEB   | 02/03/27                   |   |                 |              |              |                        |              |        |  |       |       |          |       |       |         |       |       |   |       |  |          |      |     |          |            |      |     |          |             |      |     |          |     |      |  |
| APPROVED BY   | DATE                       |   |                 |              |              |                        |              |        |  |       |       |          |       |       |         |       |       |   |       |  |          |      |     |          |            |      |     |          |             |      |     |          |     |      |  |
| RWD   | 02/03/28                   |   |                 |              |              |                        |              |        |  |       |       |          |       |       |         |       |       |   |       |  |          |      |     |          |            |      |     |          |             |      |     |          |     |      |  |
| DRAFT WHERE APPLICABLE MUST REMAIN WITHIN DIMENSIONS  |                            | <table border="1"> <tr> <td>MATERIAL NO.</td> <td>DOCUMENT NO.</td> <td>SHEET NO.</td> </tr> <tr> <td>SEE CHART</td> <td>SD-83421-004</td> <td>1 OF 1</td> </tr> </table>   | MATERIAL NO.    | DOCUMENT NO. | SHEET NO.    | SEE CHART              | SD-83421-004 | 1 OF 1 | TITLE<br><b>COMMERCIAL MICRO-D<br/>         9 SOCKET CABLE ASS'Y</b> |       |       |          |       |       |         |       |       |   |       |  |          |      |     |          |            |      |     |          |             |      |     |          |     |      |  |
| MATERIAL NO.  | DOCUMENT NO.               | SHEET NO.   |                 |              |              |                        |              |        |  |       |       |          |       |       |         |       |       |   |       |  |          |      |     |          |            |      |     |          |             |      |     |          |     |      |  |
| SEE CHART   | SD-83421-004               | 1 OF 1  |                 |              |              |                        |              |        |  |       |       |          |       |       |         |       |       |   |       |  |          |      |     |          |            |      |     |          |             |      |     |          |     |      |  |
| THIS DRAWING CONTAINS INFORMATION THAT IS PROPRIETARY TO MOLEX INCORPORATED AND SHOULD NOT BE USED WITHOUT WRITTEN PERMISSION     |                            |   |                 |              |              |                        |              |        |  |       |       |          |       |       |         |       |       |   |       |  |          |      |     |          |            |      |     |          |             |      |     |          |     |      |  |