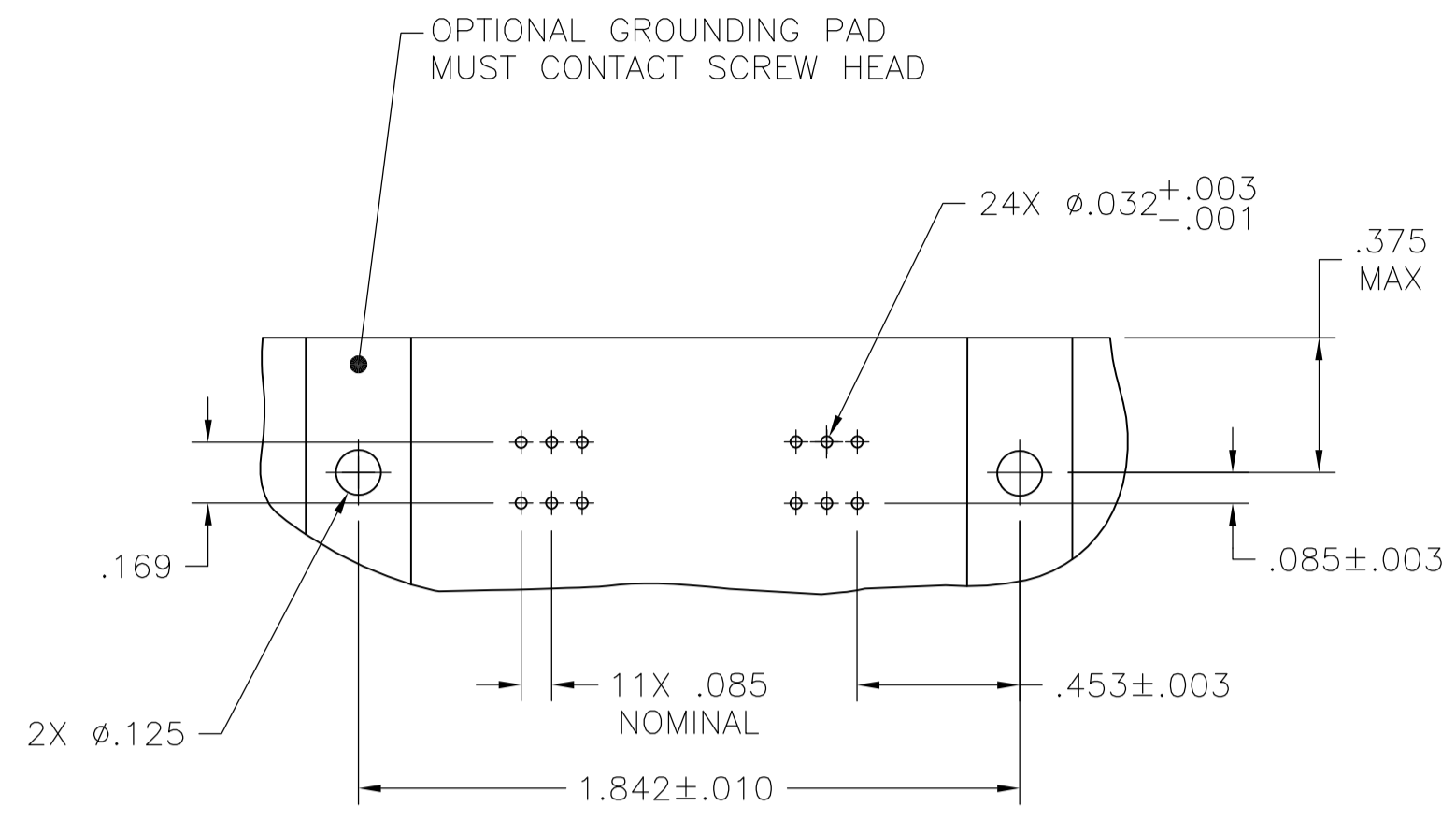
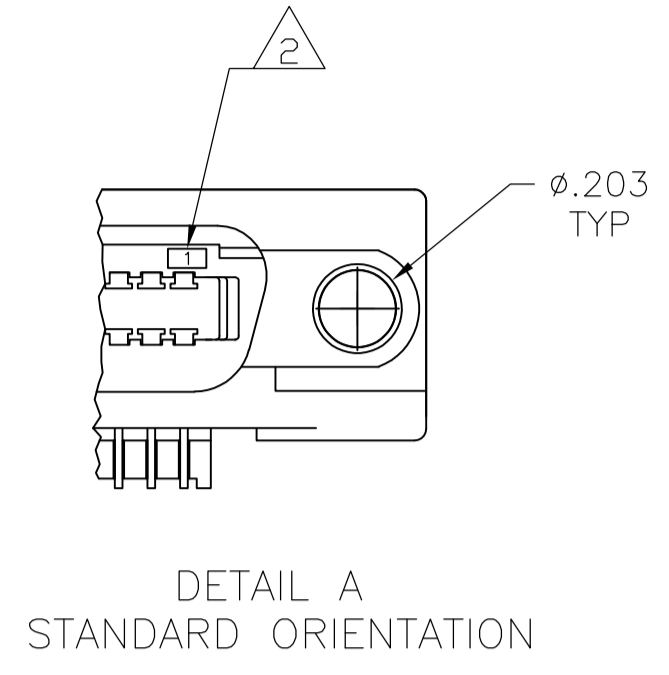
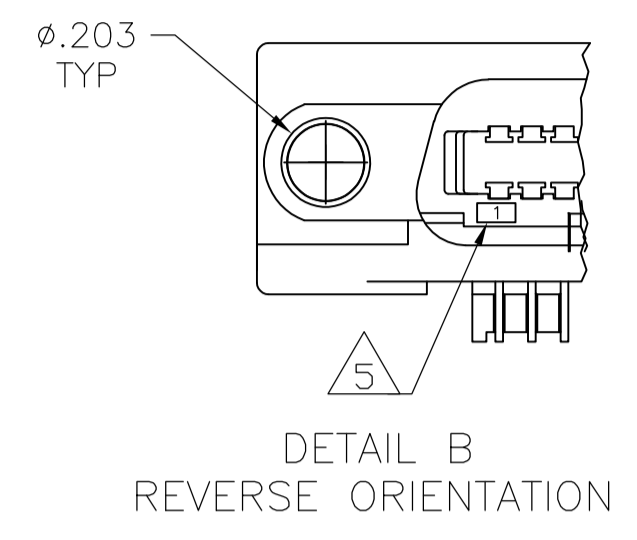


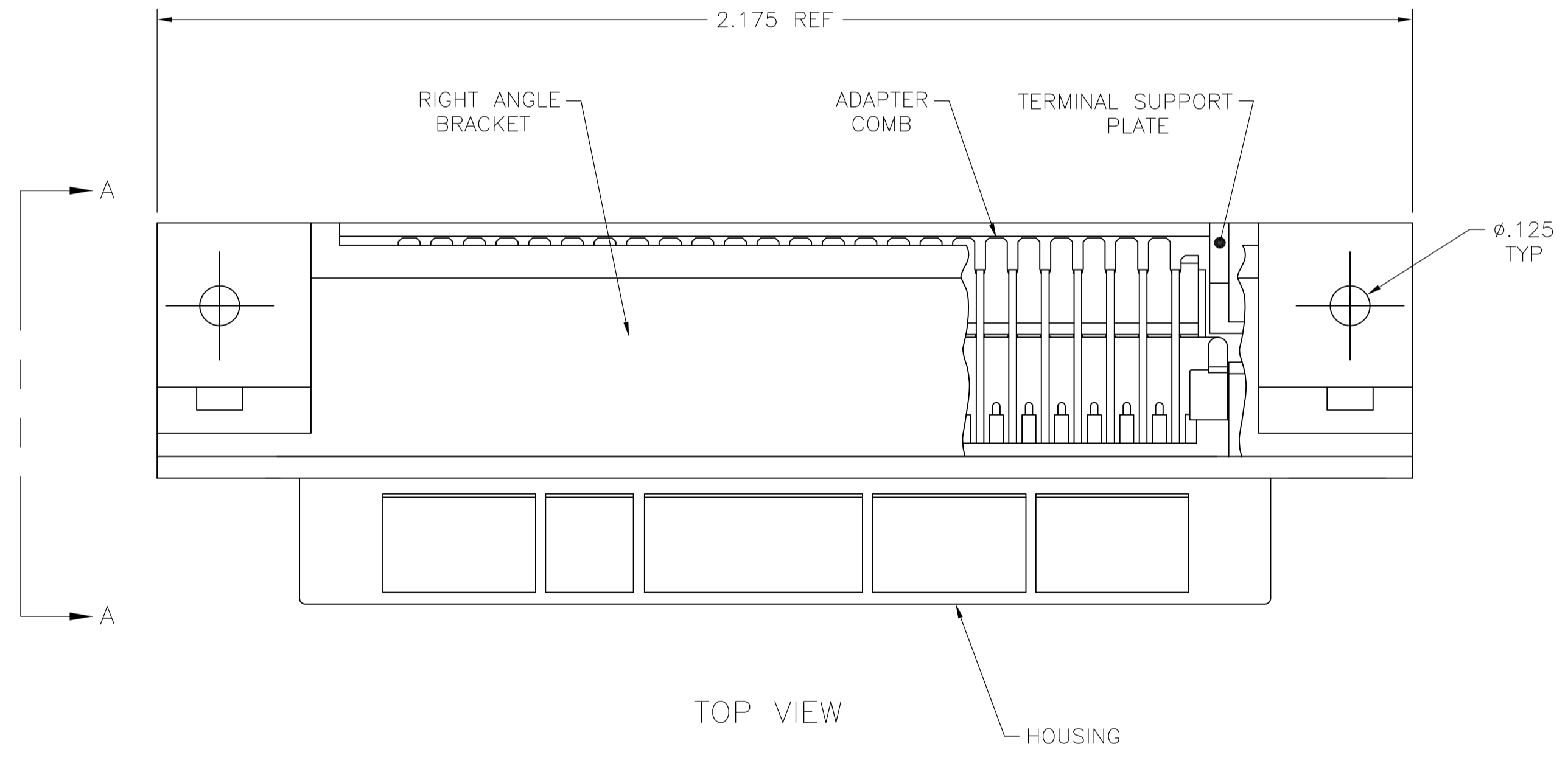
LOC		DIST		REVISIONS			
GP	00	REV	DATE	BY	APPV		
C		REVISED PER ECO-12-018184	17OCT2012	CJV	PAR		



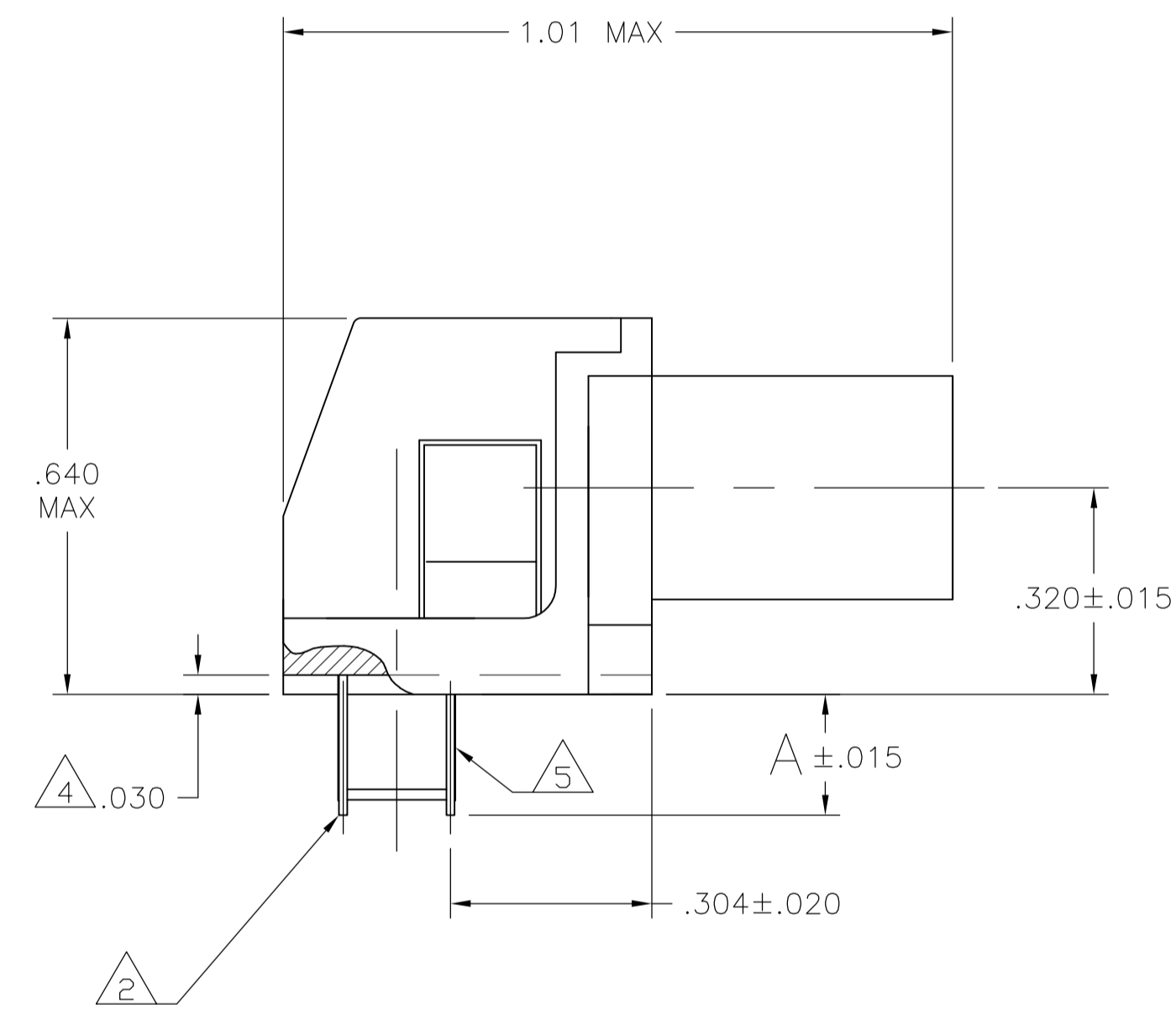
SUGGESTED PRINTED CIRCUIT BOARD MOUNTING DIMENSIONS



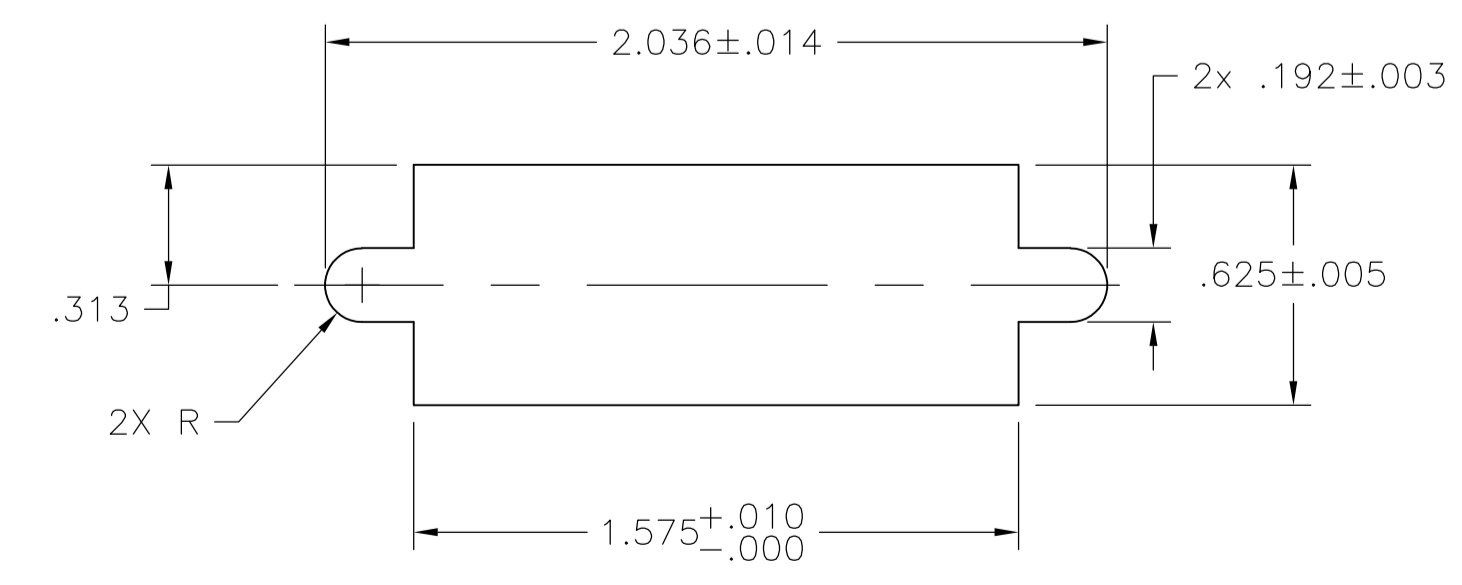
- 1 MATERIAL: HOUSING, RIGHT ANGLE BRACKET, ADAPTER COMB & SUPPORT PLATE - THERMOPLASTIC, BLACK. TERMINALS - HIGH STRENGTH COPPER ALLOY PLATED WITH EITHER .000030 MIN GOLD PLATE OR GOLD FLASH OVER PALLADIUM NICKEL PLATE, .000030 MIN TOTAL ON MATING SURFACE. .000120 MIN TIN PLATE ON TAILS. ALL OVER .000050 MIN NICKEL UNDERPLATE OVER ENTIRE TERMINAL.
- 2 TERMINAL 1 IS LOCATED IN THIS ROW FOR STANDARD ORIENTATION, SEE DETAIL A.
- 3 PANEL THICKNESS RANGE: .125 MAX.
- 4 SUPPORT PLATE CLEARANCE FOR TERMINAL STRAIN RELIEF AND FLUX REMOVAL.
- 5 TERMINAL 1 IS LOCATED IN THIS ROW FOR REVERSE ORIENTATION, SEE DETAIL B.



TOP VIEW



SIDE VIEW A-A



PANEL CUTOUT DIMENSIONS FOR REAR PANEL MOUNTING FOR METRIC HARDWARE

.092	SEE DETAIL B	5553121-3
.187	SEE DETAIL B	5553121-2
	SEE DETAIL A	5553121-1
A	DESCRIPTION	PART NUMBER

THIS DRAWING IS A CONTROLLED DOCUMENT. DIMENSIONING AND TOLERANCING PER ASME Y14.5M-2009.

DIMENSIONS: INCHES	TOLERANCES UNLESS OTHERWISE SPECIFIED:	DIN 9137 MCMASER 18AUG05	APPROVED: W. MILLHIMES 18AUG05	NAME: W. WALMSEY 18AUG05
0 PLC ± -	1 PLC ± -	2 PLC ± -	3 PLC ± .005	4 PLC ± -
FINISH		APPROVED: W. WALMSEY 18AUG05		
MATERIAL		APPLICATION SPEC		
FINISH		SIZE: A1		
FINISH		CAGE CODE: 00779		
FINISH		DRAWING NO: 5553121		
FINISH		RESTRICTED TO: -		
FINISH		CUSTOMER DRAWING		
FINISH		SCALE: 2:1		
FINISH		SHEET: 1 OF 1		
FINISH		REV: C		

STE TE Connectivity

ASSEMBLY, EMI, RECEPTACLE 24 POSITION, RIGHT ANGLE