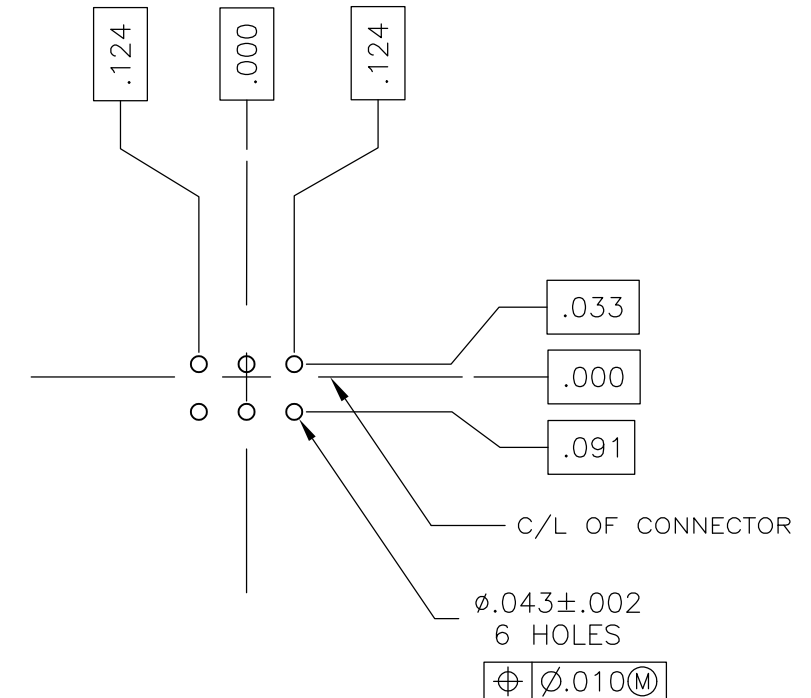
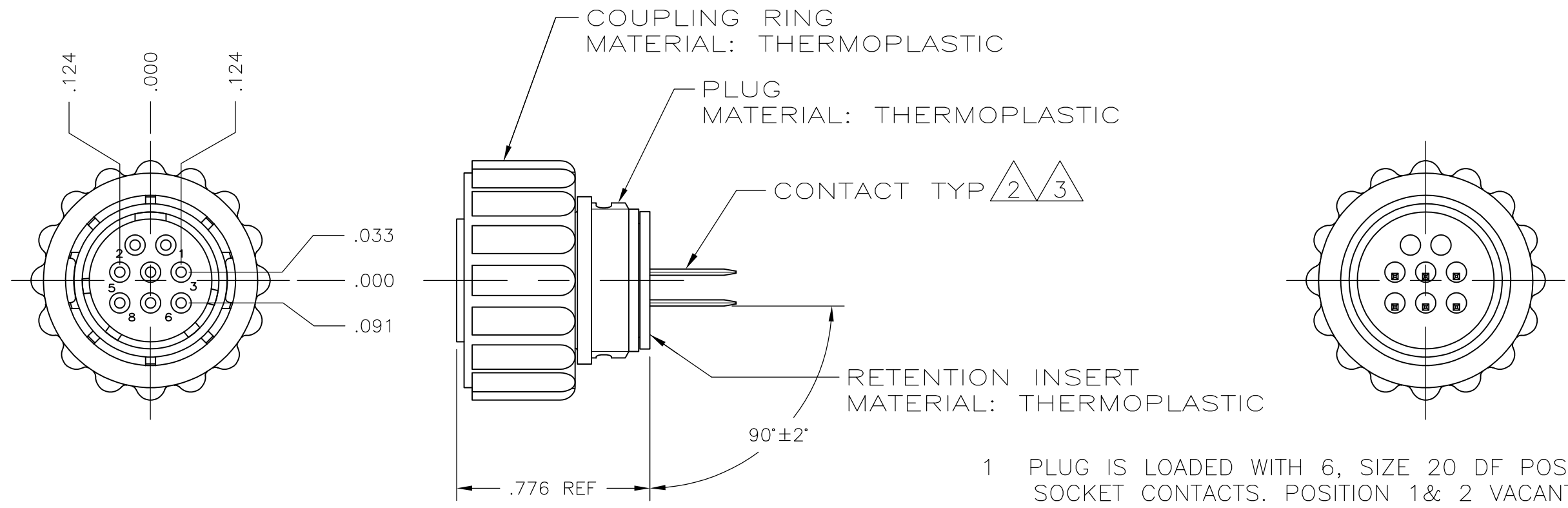
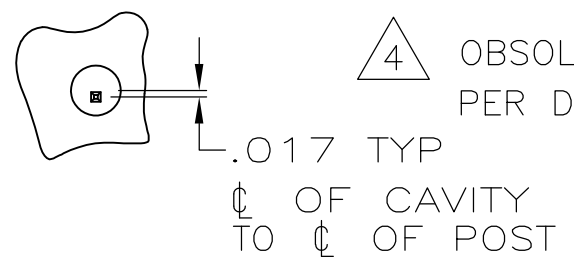


THIS DRAWING IS UNPUBLISHED. RELEASED FOR PUBLICATION
 © COPYRIGHT BY TYCO ELECTRONICS CORPORATION. ALL INTERNATIONAL RIGHTS RESERVED.

| LOC | DIST | REVISIONS | | | |
|-----|------|-------------|-------------------------------|---------|--------|
| P | LTR | DESCRIPTION | DATE | DWN | APVD |
| FT | 0 | A | NEW DRAWING PER ECO-08-022303 | 15SEP08 | HMR BC |
| | | A1 | REVISED PER ECO-09-023313 | 09OCT09 | KK AEG |



- 1 PLUG IS LOADED WITH 6, SIZE 20 DF POSTED SOCKET CONTACTS. POSITION 1& 2 VACANT
- $\triangle 2$.000030 MIN GOLD ON LOCALIZED GOLD PLATE AREA, .000100 MIN TIN-LEAD ON LOCALIZED TIN PLATE AREA, ALL OVER .000050 MIN NICKEL.
- $\triangle 3$ GOLD FLASH ON LOCALIZED GOLD PLATE AREA, .000100 MIN TIN ON LOCALIZED TIN PLATE AREA, ALL OVER .000050 MIN NICKEL.
- $\triangle 4$ OBSOLETE PARTS: OBSOLETE CIS STREAMLINING PER D.RENAUD/D.SINISI



POST ARRANGEMENT ON REAR FACE

| | | |
|------------------------|---------------|------------|
| $\triangle 4$ OBSOLETE | $\triangle 3$ | 1-796902-1 |
| | $\triangle 2$ | 796902-1 |
| | FINISH | PART NO |

RECOMMENDED P.C. BOARD LAYOUT

| | | | | | | | | | | | | | | | | |
|---|--------|---------------------------|---|---------------------|-----|-------|-----|-------|--------|-------|-----|--------|-----|--------------|------|-----------|
| THIS DRAWING IS A CONTROLLED DOCUMENT. | | DWN RAGHAVENDRA 15SEP08 | Tyco Electronics Corporation Harrisburg, PA 17105-3608 | | | | | | | | | | | | | |
| DIMENSIONS: INCHES | | CHK CHANEY BRIAN 15SEP08 | NAME | | | | | | | | | | | | | |
| TOLERANCES UNLESS OTHERWISE SPECIFIED: | | APVD CHANEY BRIAN 15SEP08 | PLUG ASSEMBLY STD SEX, POSTED SERIES 2, 11-8, CPC | | | | | | | | | | | | | |
| <table border="0"> <tr><td>0 PLC</td><td>± -</td></tr> <tr><td>1 PLC</td><td>± -</td></tr> <tr><td>2 PLC</td><td>± -</td></tr> <tr><td>3 PLC</td><td>± .005</td></tr> <tr><td>4 PLC</td><td>± -</td></tr> <tr><td>ANGLES</td><td>± -</td></tr> </table> | | 0 PLC | ± - | 1 PLC | ± - | 2 PLC | ± - | 3 PLC | ± .005 | 4 PLC | ± - | ANGLES | ± - | PRODUCT SPEC | SIZE | CAGE CODE |
| 0 PLC | ± - | | | | | | | | | | | | | | | |
| 1 PLC | ± - | | | | | | | | | | | | | | | |
| 2 PLC | ± - | | | | | | | | | | | | | | | |
| 3 PLC | ± .005 | | | | | | | | | | | | | | | |
| 4 PLC | ± - | | | | | | | | | | | | | | | |
| ANGLES | ± - | | | | | | | | | | | | | | | |
| MATERIAL | | APPLICATION SPEC | DRAWING NO | RESTRICTED TO | | | | | | | | | | | | |
| FINISH | | WEIGHT | A3 00779 C-796902 | - | | | | | | | | | | | | |
| CUSTOMER DRAWING | | | SCALE 2:1 | SHEET 1 OF 1 REV A1 | | | | | | | | | | | | |