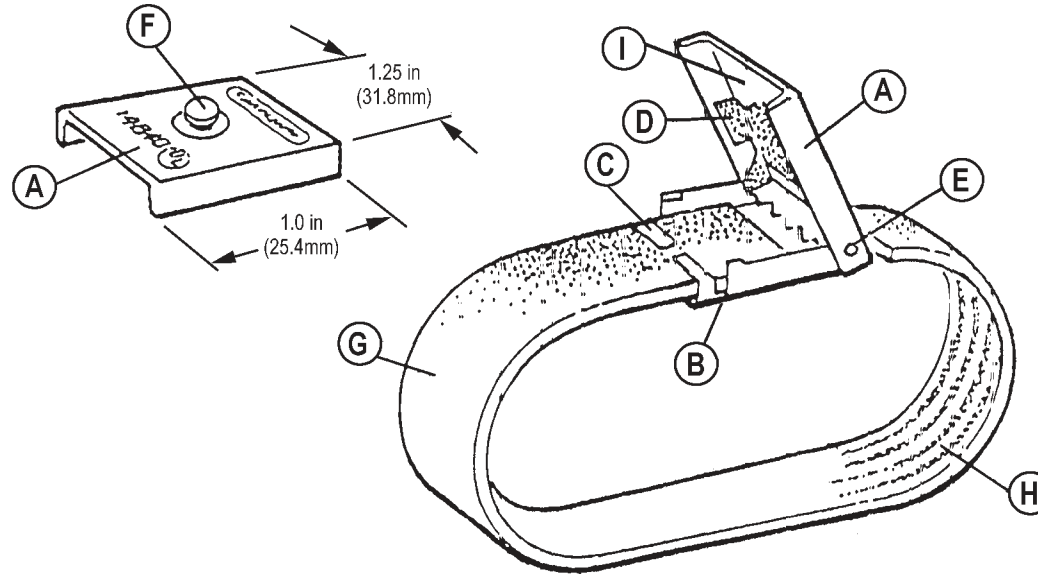




UL LISTED

J



- A. Insulating cap, white ABS thermoplastic.
- B. Base plate, for skin contact, 300 series non-allergic stainless steel.
- C. 300 series stainless steel tabs secure fabric material in place.
- D. 300 series stainless steel hinge maintains electrical continuity even when open.
- E. Patented* eccentric hinge allows wide opening for easy adjustment and forces material down against base plate when closed.

- F. 4mm snap stud machined from 300 series stainless steel. Fits to 4mm spring loaded medical type socket. Coil cord disengages from snap with 1-5 lbs. of perpendicular force, fulfilling ESD-S1 paragraph 4.1.6 breakaway force requirement. Durable, providing long life well beyond that of sheet metal snaps.
 - G. Knitted elastic band material of light blue fiber, 0.750 inch (19 mm) wide, 0.100 inch (2.54 mm) thick and 9.5 inch (241 mm) long. Material made up of 30 strands of spandex, 8 strands of silver plated polypropylene yarn, and 41 strands of textured polyester. Made with pure silver irreversibly bound to fibers providing both antimicrobial and anti-odor performance.
 - H. The conductive silver plated polypropylene represents 10% of the material by weight. It is configured into 4 separate bands of 2 strands each for a total of 8 strands which are randomly knit in the inner surface (blue side).
 - I. Manufacturing date code stamped on inside of plastic cap.
 - J. Underwriters Laboratory listing 90P1.
- Meets or exceeds requirements of ANSI ESD-S20.20 and EOS/ESD-S1-1987.

ITEM	DESCRIPTION	CIRCUMFERENCE		WIDTH
		MIN	MAX	
14810	Band w/ 6' Coil Cord	2.5" (64mm)	14" (355mm)	.750" (19mm)
14830	Band w/ 10' Coil Cord	2.5" (64mm)	14" (355mm)	.750" (19mm)
14840	Band Only	2.5" (64mm)	14" (355mm)	.750" (19mm)

Specifications and procedures subject to change without notice.

*U.S. Patent No. 4,662,695

Elastic Adjustable Wrist Straps

DESCO

DESCO WEST: 3651 WALNUT AVE., CHINO, CA 91710 WEB SITE: Desco.com
 PHONE (909) 627-8178 FAX (909) 627-7449
 DESCO EAST: ONE COLGATE WAY, CANTON, MA 02021-1407
 PHONE (781) 821-8370 FAX (781) 575-0172

DRAWING NUMBER
14810

DATE:
December
2010