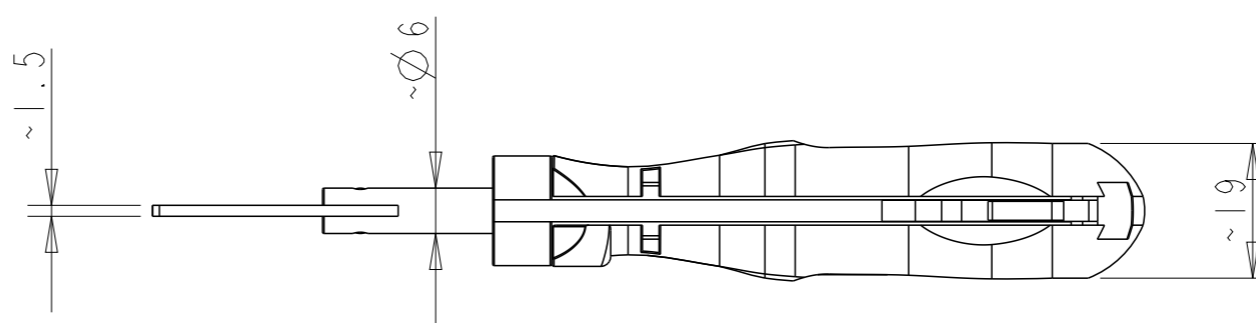
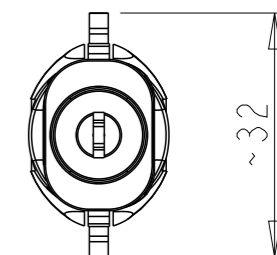
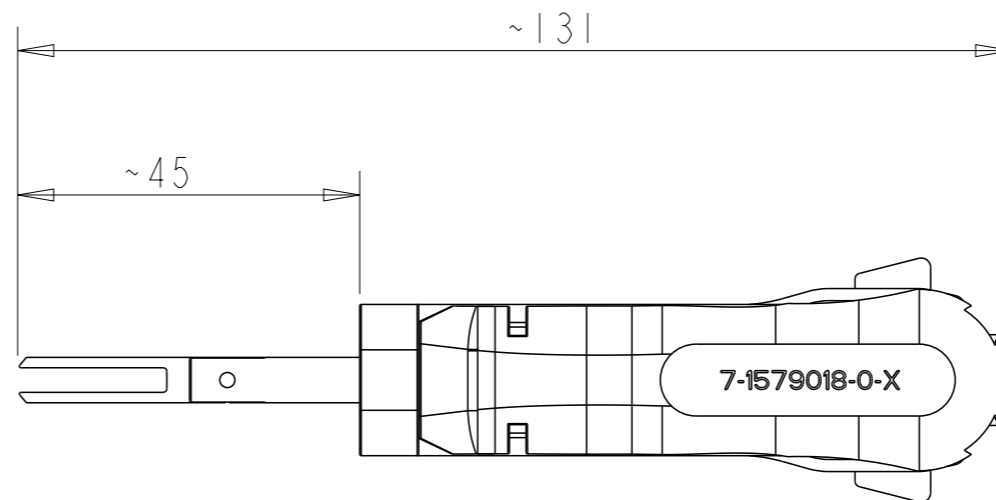
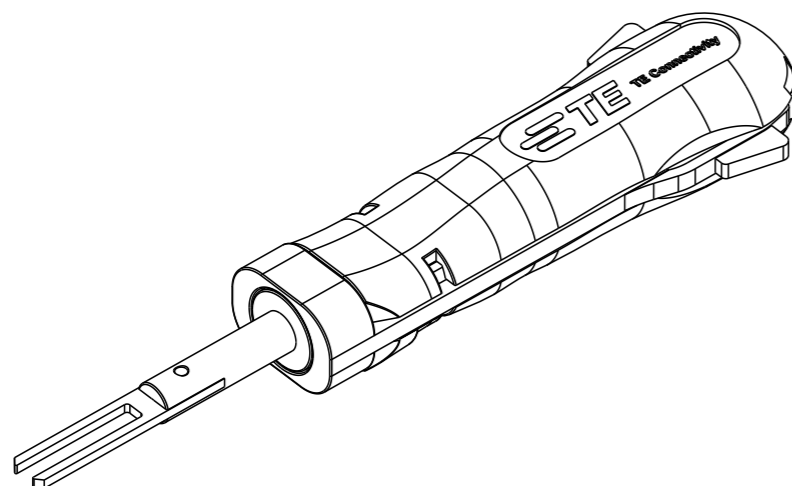



P	LTR	DESCRIPTION	DATE	DWN	APVD
	A	INITIAL REVISION	04NOV09	SA	GS
	B	ECR-18-006974	07MAY2018	MG	RG



APPLICATION RANGE / Anwendungsbereich:

FOR FUSE-BOX: 1801493-1  
 FOR CONTACT: 1544965-1, 1544966-1  
 1544218-1

THIS DRAWING IS A CONTROLLED DOCUMENT.		DWN S. Samstag 04NOV09	 TE Connectivity		
DIMENSIONS: mm		CHK G. Stegmayer 15JAN2010			
TOLERANCES UNLESS OTHERWISE SPECIFIED:		APVD G. Stegmayer 15JAN2010	NAME EXTRACTION TOOL		
0 PLC ±- 1 PLC ±0.0 2 PLC ±0.00 3 PLC ±0.000 4 PLC ±0.0000 ANGLES ±-		PRODUCT SPEC -	ENTRIEGELUNGSWERKZEUG SET		
MATERIAL -		APPLICATION SPEC -	SIZE A3	CAGE CODE 00779	DRAWING NO. 7-1579018-0
FINISH -		WEIGHT 0.031	RESTRICTED TO -		
		CUSTOMER DRAWING	SCALE 1:1	SHEET 1 OF 1	REV B