

# PA4600

## Perimeter Access Guarding Device

- 1 to 6 beams available
- Operating range of 70 m
- Compact size — 46 x 55 mm (1.81 x 2.17 in.)
- Simple “two-box” design — no separate control box required
- Individual Beam Indicators
- A Rapid Delivery Product: Select models are available for shipment today or within 3 to 5 days



C

## Specifications

<b>Performance</b>	
Protective Height:	Variable
Operating Range:	0.8 to 70 m
Response Time:	Transmit Code A: <24 ms; Transmit Code B: <20 ms; Transmit Code C: <16 ms
<b>Electrical</b>	
Input Voltage (V <sub>in</sub> ):	24 VDC ± 20%
Input Power:	8.4 watts (without load on the outputs)
Safety Output Ratings:	Two PNP outputs sourcing 625 mA max @ V <sub>in</sub> (see note 1). Short circuit protected.
Auxiliary (non-safety) Output Rating:	One NPN output sinking 100 mA max @ V <sub>in</sub> or one PNP output sourcing 100 mA @ V <sub>in</sub> (see notes 1 and 2)
Power Supply:	24 VDC ± 20%. The rating depends on the current requirement of the loads attached to the outputs (see note 3). The power supply must meet the requirements of IEC 60204-1 and 61496-1. STI part number 42992 or equivalent.
External Device Monitoring:	50 mA @ 24 VDC steady state
Start/Restart:	N.O. input. Momentary contact (10 mA consumption)
Effective Aperture Angle:	± 2.5° maximum, transmitter and receiver at operating range greater than 3 m per IEC 61496-2
Light Source:	Infrared light emitting diode, 880 nm
Transmitter Indicator Light:	Active (yellow)
Receiver Indicator Lights:	Machine run (green), machine stop (red), interlock/fault (yellow), individual beams and two 7-segment displays (red)
<b>Mechanical</b>	
Construction:	Polyester powder-painted aluminum
Cable Length:	Available in 10, 15 and 30 m lengths, unshielded.
Minimum Cable Gauge:	22 AWG (0.32 mm <sup>2</sup> ) for user-supplied cables
Cable Connections:	8-pin terminal block Optional Receiver Connector: M-12, 8-pin connector Optional Transmitter Connector: M-12, 5-pin connector
<b>Environmental</b>	
Enclosure Rating:	IP67
Operating Temperature:	0 to 55°C (32 to 131°F)
Relative Humidity:	95% maximum, non-condensing
Vibration:	5-60 Hz maximum on all 3 axis
Shock:	10 g of 0.016 seconds; 1,000 shocks for each axis on two axis
<b>Approvals</b>	ESPE Type 4 (IEC 61496-1/ -2) Category 4 / PL e (EN ISO 13849-1) SIL3 / SIL3 CL3 (IEC 61508 / EN 62061) UL508, UL1998, CAN/CSA-C22.2 No. 14, CAN/CSA-C22.2 No. 0.8, CAN/CSA-C22.2 No 0, CAN/CSA-C22.2 No 205



## Description

The Perimeter Access PA4600 is a long-range, multi-beam safeguarding device. It is suited to detect the torsos of personnel entering a hazardous area. Installation and alignment is simplified with Individual Beam Indicators, which glow red when the beam is out of alignment or blocked. The separate Scan Codes allow the installer to select unique scan frequencies that eliminate cross-talk with adjacent PA4600 systems. Diagnostics are greatly enhanced with the LED status indicators and numeric displays.

Specifications subject to change without notification.

Note 1: Voltage available at the outputs is equal to V<sub>in</sub> - 2.0 VDC.

Note 2: Total current required by the two solid-state outputs and the aux. output should not exceed 1.35 A.

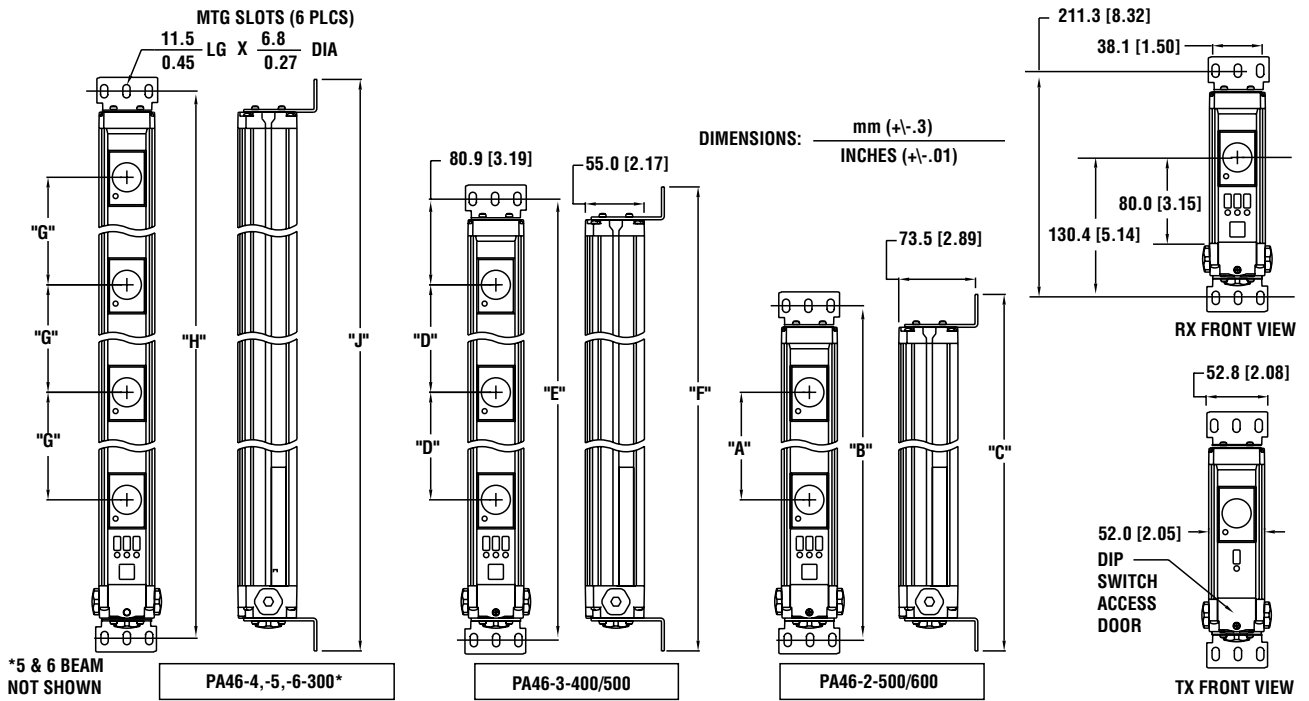
Note 3: Total system current requirement is the sum of the transmitter 100 mA and receiver 1.6 A max. (receiver 250 mA + OSSD1 load + OSSD2 load + aux. output load)

Select models are available for Rapid Delivery.

Visit this product on [www.sti.com](http://www.sti.com) for details.

Dimensions

(mm/in.)



PA4600 Dimensions and Shipping Weights

	Beam Spacing mm/in.	Mounting Holes mm/in.	Overall Height mm/in.	System Shipping Weights kg/lb.
PA46-1-000	N/A	211.3/8.32	231.6/9.12	4.5/10
PA46-2-500**	A = 500/19.69	B = 711.3/28.00	C = 731.6/28.80	6.3/14
PA46-2-600*	A = 600/23.62	B = 811.3/31.94	C = 831.6/32.74	6.7 /15
PA46-3-400**	D = 400/15.75	E = 1011.3/39.81	F = 1031.6/40.61	7.2 /16
PA46-3-500*	D = 500/19.69	E = 1211.3/47.68	F = 1231.6/48.49	8.6/19
PA46-4-300**	G = 300/11.81	H = 1111.3/43.75	J = 1131.6/44.55	8.2 /18
PA46-5-300	G = 300/11.81	H = 1411.3/55.56	J = 1431.6/56.36	9.5/21
PA46-6-300	G = 300/11.81	H = 1711.3/67.37	J = 1731.6/68.17	10.4/23

\*Meets ANSI/RIA R15.06-1999 (R2009)

\*\*Meets EN999: 1998

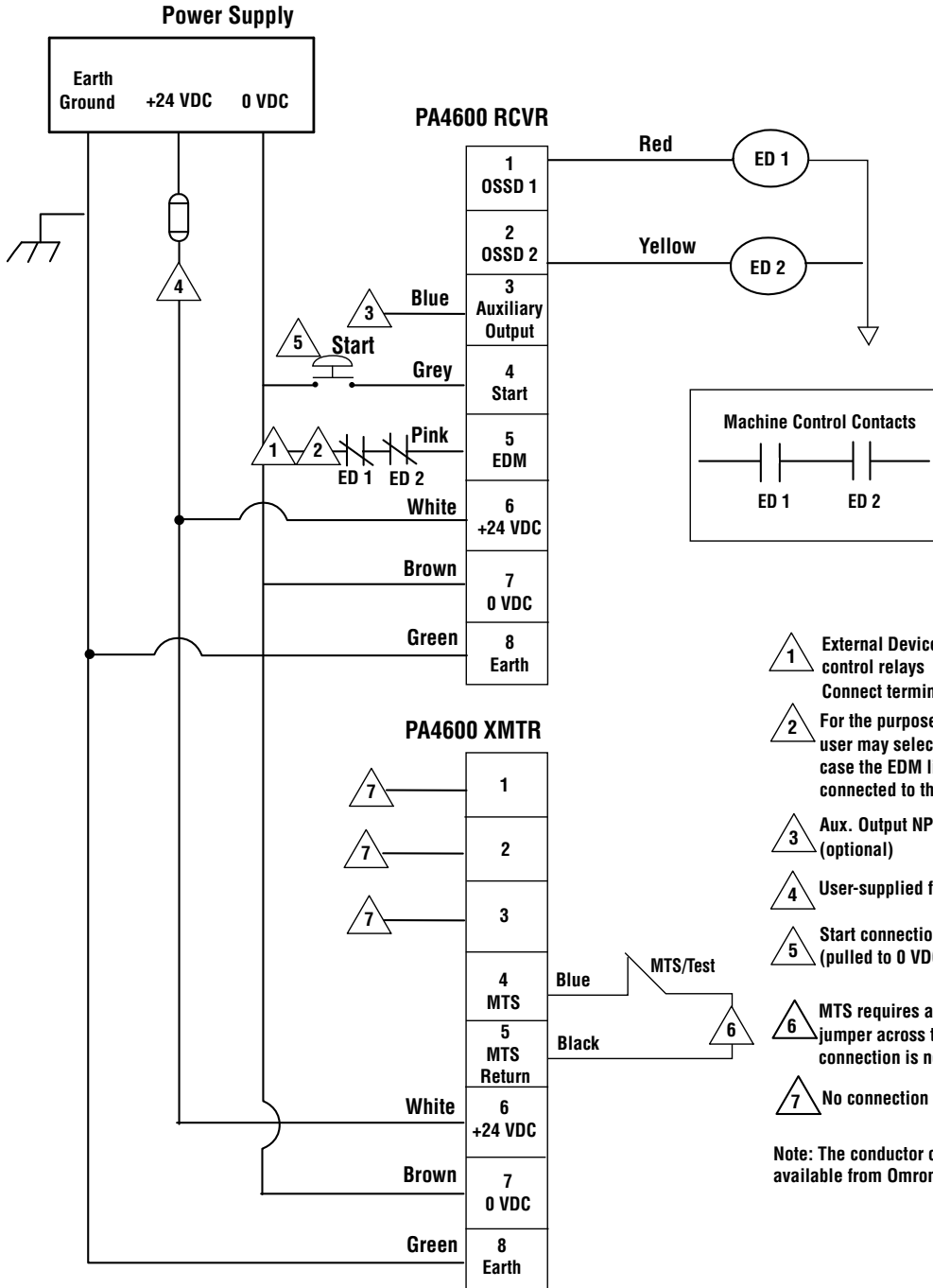
Select models are available for Rapid Delivery.

Visit this product on [www.sti.com](http://www.sti.com) for details.



# Wiring

## Connecting to Machine Control System Via Two Force-Guided Relays



- 1** External Device Monitoring must be used when force-guided control relays are used as the Final Switching Devices. Connect terminal 5 (pink wire) through N.C. contacts to 0 VDC.
- 2** For the purpose of bench testing prior to installation, the user may select EDM OFF (default factory setting). In this case the EDM line, terminal 5 (pink wire) must be connected to the 0 VDC line.
- 3** Aux. Output NPN or PNP 100 mA. max. @ 24VDC, connect to PLC (optional)
- 4** User-supplied fuse
- 5** Start connections are shown with option NO1 – normally open (pulled to 0 VDC)
- 6** MTS requires a N.C. contact. If MTS is not used, install a jumper across terminals 4 & 5. MTS is an option, no connection is needed if the option is not ordered.
- 7** No connection

Note: The conductor colors are reference to the optional cables available from Omron STI.

Select models are available for Rapid Delivery.

Visit this product on [www.sti.com](http://www.sti.com) for details.



## Ordering

Model	Number of Beams	Overall Height
<b>Perimeter Access PA4600</b>		
PA46-1-000-Q2-NO1-PN	1	231.6 mm (9.12 in.)
PA46-2-500-Q2-NO1-PN	2	731.6 mm (28.80 in.)
PA46-2-600-Q2-NO1-PN	2	831.6 mm (32.74 in.)
PA46-3-400-Q2-NO1-PN	3	1031.6 mm (40.61 in.)
PA46-3-500-Q2-NO1-PN	3	1231.6 mm (48.49 in.)
PA46-4-300-Q2-NO1-PN	4	1131.6 mm (44.55 in.)
PA46-5-300-Q2-NO1-PN	5	1431.6 mm (56.36 in.)
PA46-6-300-Q2-NO1-PN	6	1731.6 mm (68.17 in.)

## Accessories (sold separately)

Part Number	Description
<b>Transmitter Cables</b>	
CBL-LCTX-10M	Transmitter Cable, 10 m (32.8 ft)
CBL-LCTX-15M	Transmitter Cable, 15 m (49.3 ft)
CBL-LCTX-30M	Transmitter Cable, 30 m (98.5 ft)
PMC-PA46TX	M12 Transmitter Connector
<b>Receiver Cables</b>	
CBL-LCRX-10M	Receiver Cable, 10 m (32.8 ft)
CBL-LCRX-15M	Receiver Cable, 15 m (49.3 ft)
CBL-LCRX-30M	Receiver Cable, 30 m (98.5 ft)
PMC-PA46RX	M12 Receiver Connector
<b>Explosion Proof Enclosures</b>	
PA4600-EPKT-0300	350 mm protected height enclosure, each
PA4600-EPKT-0600	520 and 610 mm Protected Height Enclosure, each
PA4600-EPKT-0900	870 mm Protected Height Enclosure, each
PA4600-EPKT-1200	1215 mm Protected Height Enclosure, each
<b>Resource Modules</b>	
RM-1	RM-1 Resource Module
RM-2	RM-2 Resource Module
RM-2AC	RM-2AC Resource Module/Power Supply
RM-2AC-IP	RM-2AC-IP Resource Module/Power Supply
RM-3	RM-3 Resource Mute Module
RM-X	RM-X Safety Relay, 22.5 mm DIN enclosure



For information on Resource Modules, see page D-63



For information on safety light curtain accessories, see page D-78

## Safety Standards and Precautions

The PA4600 is a presence sensing device used only for perimeter access guarding applications, such as around robots and workcells. The PA4600 meets ANSI/RIA R15.06-1999 (R2009) and EN999:1998 optical configuration requirements for perimeter access guarding presence-sensing devices. PA4600 systems have been EC type examined to the requirements of IEC 61496-1, -2 for a Type 4 ESPE. The PA4600 also meets the control reliability requirements of ANSI/RIA R15.06-1999 (R2009).

The optical design and detection capability of the PA4600 are optimized for torso detection of personnel entering a hazardous area from the perimeter, also called perimeter access guarding. It is not intended to be used for the detection of hands and fingers. It is not designed for, nor should it be used as, a high-resolution point-of-operation safety light curtain. The safety beams have been positioned to meet ANSI/RIA R15.06-1999 (R2009) and EN999:1998 perimeter guarding requirements. These documents are an excellent reference for the application of perimeter guarding optical devices such as the PA4600.

The PA4600 should only be used on machinery that can consistently and immediately stop anywhere in its cycle or stroke. Never use a PA4600 to guard the perimeter of a full revolution clutched power press or machine. If the PA4600 does not protect all access to the hazardous area, other appropriate devices such as mechanical guards must guard the unprotected access.

The purchaser, installer and employer have the responsibility to meet all local, state and federal government laws, rules, codes or regulations relating to the proper use, installation, operation and maintenance of this control and the guarded machine. See the Installation and Operation Manual for additional information.

All application examples described are for illustration purposes only. Actual installations will differ from those indicated.

 Select models are available for Rapid Delivery.

Visit this product on [www.sti.com](http://www.sti.com) for details.

# Terms and Conditions of Sale

1. **Offer; Acceptance.** These terms and conditions (these "Terms") are deemed part of all quotes, agreements, purchase orders, acknowledgments, price lists, catalogs, manuals, brochures and other documents, whether electronic or in writing, relating to the sale of products or services (collectively, the "Products") by Omron Electronics LLC and its subsidiary companies ("Omron"). Omron objects to any terms or conditions proposed in Buyer's purchase order or other documents which are inconsistent with, or in addition to, these Terms.
2. **Prices; Payment Terms.** All prices stated are current, subject to change without notice by Omron. Omron reserves the right to increase or decrease prices on any unshipped portions of outstanding orders. Payments for Products are due net 30 days unless otherwise stated in the invoice.
3. **Discounts.** Cash discounts, if any, will apply only on the net amount of invoices sent to Buyer after deducting transportation charges, taxes and duties, and will be allowed only if (i) the invoice is paid according to Omron's payment terms and (ii) Buyer has no past due amounts.
4. **Interest.** Omron, at its option, may charge Buyer 1-1/2% interest per month or the maximum legal rate, whichever is less, on any balance not paid within the stated terms.
5. **Orders.** Omron will accept no order less than \$200 net billing.
6. **Governmental Approvals.** Buyer shall be responsible for, and shall bear all costs involved in, obtaining any government approvals required for the importation or sale of the Products.
7. **Taxes.** All taxes, duties and other governmental charges (other than general real property and income taxes), including any interest or penalties thereon, imposed directly or indirectly on Omron or required to be collected directly or indirectly by Omron for the manufacture, production, sale, delivery, importation, consumption or use of the Products sold hereunder (including customs duties and sales, excise, use, turnover and license taxes) shall be charged to and remitted by Buyer to Omron.
8. **Financial.** If the financial position of Buyer at any time becomes unsatisfactory to Omron, Omron reserves the right to stop shipments or require satisfactory security or payment in advance. If Buyer fails to make payment or otherwise comply with these Terms or any related agreement, Omron may (without liability and in addition to other remedies) cancel any unshipped portion of Products sold hereunder and stop any Products in transit until Buyer pays all amounts, including amounts payable hereunder, whether or not then due, which are owing to it by Buyer. Buyer shall in any event remain liable for all unpaid accounts.
9. **Cancellation; Etc.** Orders are not subject to rescheduling or cancellation unless Buyer indemnifies Omron against all related costs or expenses.
10. **Force Majeure.** Omron shall not be liable for any delay or failure in delivery resulting from causes beyond its control, including earthquakes, fires, floods, strikes or other labor disputes, shortage of labor or materials, accidents to machinery, acts of sabotage, riots, delay in or lack of transportation or the requirements of any government authority.
11. **Shipping; Delivery.** Unless otherwise expressly agreed in writing by Omron:
  - a. Shipments shall be by a carrier selected by Omron; Omron will not drop ship except in "break down" situations.
  - b. Such carrier shall act as the agent of Buyer and delivery to such carrier shall constitute delivery to Buyer;
  - c. All sales and shipments of Products shall be FOB shipping point (unless otherwise stated in writing by Omron), at which point title and risk of loss shall pass from Omron to Buyer; provided that Omron shall retain a security interest in the Products until the full purchase price is paid;
  - d. Delivery and shipping dates are estimates only; and
  - e. Omron will package Products as it deems proper for protection against normal handling and extra charges apply to special conditions.
12. **Claims.** Any claim by Buyer against Omron for shortage or damage to the Products occurring before delivery to the carrier must be presented in writing to Omron within 30 days of receipt of shipment and include the original transportation bill signed by the carrier noting that the carrier received the Products from Omron in the condition claimed.
13. **Warranties.** (a) **Exclusive Warranty.** Omron's exclusive warranty is that the Products will be free from defects in materials and workmanship for a period of twelve months from the date of sale by Omron (or such other period expressed in writing by Omron). Omron disclaims all other warranties, express or implied. (b) **Limitations.** OMRON MAKES NO WARRANTY OR REPRESENTATION, EXPRESS OR IMPLIED, ABOUT NON-INFRINGEMENT, MERCHANTABILITY OR FITNESS FOR A PARTICULAR PURPOSE OF THE PRODUCTS. BUYER ACKNOWLEDGES THAT IT ALONE HAS DETERMINED THAT THE PRODUCTS WILL SUITABLY MEET THE REQUIREMENTS OF THEIR INTENDED USE. Omron further disclaims all warranties and responsibility of any type for claims or expenses based on infringement by the Products or otherwise of any intellectual property right. (c) **Buyer Remedy.** Omron's sole obligation hereunder shall be, at Omron's election, to (i) replace (in the form originally shipped with Buyer responsible for labor charges for removal or replacement thereof) the non-complying Product, (ii) repair the non-complying Product, or (iii) repay or credit Buyer an amount equal to the purchase price of the non-complying Product; provided that in no event shall Omron be responsible for warranty, repair, indemnity or any other claims or expenses regarding the Products unless Omron's analysis confirms that the Products were properly handled, stored, installed and maintained and not subject to contamination, abuse, misuse or inappropriate modification. Return of any Products by Buyer must be approved in writing by Omron before shipment. Omron Companies shall not be liable for the suitability or unsuitability or the results from the use of Products in combination with any electrical or electronic components, circuits, system assemblies or any other materials or substances or environments. Any advice, recommendations or information given orally or in writing, are not to be construed as an amendment or addition to the above warranty. See <http://www.omron247.com> or contact your Omron representative for published information.
14. **Limitation on Liability; Etc.** OMRON COMPANIES SHALL NOT BE LIABLE FOR SPECIAL, INDIRECT, INCIDENTAL, OR CONSEQUENTIAL DAMAGES, LOSS OF PROFITS OR PRODUCTION OR COMMERCIAL LOSS IN ANY WAY CONNECTED WITH THE PRODUCTS, WHETHER SUCH CLAIM IS BASED IN CONTRACT, WARRANTY, NEGLIGENCE OR STRICT LIABILITY. Further, in no event shall liability of Omron Companies exceed the individual price of the Product on which liability is asserted.
15. **Indemnities.** Buyer shall indemnify and hold harmless Omron Companies and their employees from and against all liabilities, losses, claims, costs and expenses (including attorney's fees and expenses) related to any claim, investigation, litigation or proceeding (whether or not Omron is a party) which arises or is alleged to arise from Buyer's acts or omissions under these Terms or in any way with respect to the Products. Without limiting the foregoing, Buyer (at its own expense) shall indemnify and hold harmless Omron and defend or settle any action brought against such Companies to the extent based on a claim that any Product made to Buyer specifications infringed intellectual property rights of another party.
16. **Property; Confidentiality.** Any intellectual property in the Products is the exclusive property of Omron Companies and Buyer shall not attempt to duplicate it in any way without the written permission of Omron. Notwithstanding any charges to Buyer for engineering or tooling, all engineering and tooling shall remain the exclusive property of Omron. All information and materials supplied by Omron to Buyer relating to the Products are confidential and proprietary, and Buyer shall limit distribution thereof to its trusted employees and strictly prevent disclosure to any third party.
17. **Export Controls.** Buyer shall comply with all applicable laws, regulations and licenses regarding (i) export of products or information; (iii) sale of products to "forbidden" or other proscribed persons; and (ii) disclosure to non-citizens of regulated technology or information.
18. **Miscellaneous.** (a) **Waiver.** No failure or delay by Omron in exercising any right and no course of dealing between Buyer and Omron shall operate as a waiver of rights by Omron. (b) **Assignment.** Buyer may not assign its rights hereunder without Omron's written consent. (c) **Law.** These Terms are governed by the law of the jurisdiction of the home office of the Omron company from which Buyer is purchasing the Products (without regard to conflict of law principles). (d) **Amendment.** These Terms constitute the entire agreement between Buyer and Omron relating to the Products, and no provision may be changed or waived unless in writing signed by the parties. (e) **Severability.** If any provision hereof is rendered ineffective or invalid, such provision shall not invalidate any other provision. (f) **Setoff.** Buyer shall have no right to set off any amounts against the amount owing in respect of this invoice. (g) **Definitions.** As used herein, "including" means "including without limitation"; and "Omron Companies" (or similar words) mean Omron Corporation and any direct or indirect subsidiary or affiliate thereof.

## Certain Precautions on Specifications and Use

1. **Suitability of Use.** Omron Companies shall not be responsible for conformity with any standards, codes or regulations which apply to the combination of the Product in the Buyer's application or use of the Product. At Buyer's request, Omron will provide applicable third party certification documents identifying ratings and limitations of use which apply to the Product. This information by itself is not sufficient for a complete determination of the suitability of the Product in combination with the end product, machine, system, or other application or use. Buyer shall be solely responsible for determining appropriateness of the particular Product with respect to Buyer's application, product or system. Buyer shall take application responsibility in all cases but the following is a non-exhaustive list of applications for which particular attention must be given:
  - (i) Outdoor use, uses involving potential chemical contamination or electrical interference, or conditions or uses not described in this document.
  - (ii) Use in consumer products or any use in significant quantities.
  - (iii) Energy control systems, combustion systems, railroad systems, aviation systems, medical equipment, amusement machines, vehicles, safety equipment, and installations subject to separate industry or government regulations.
  - (iv) Systems, machines and equipment that could present a risk to life or property. Please know and observe all prohibitions of use applicable to this Product.

NEVER USE THE PRODUCT FOR AN APPLICATION INVOLVING SERIOUS RISK TO LIFE OR PROPERTY OR IN LARGE QUANTITIES WITHOUT ENSURING THAT THE SYSTEM AS A WHOLE HAS BEEN DESIGNED TO ADDRESS THE RISKS, AND THAT THE OMRON'S PRODUCT IS PROPERLY RATED AND INSTALLED FOR THE INTENDED USE WITHIN THE OVERALL EQUIPMENT OR SYSTEM.
2. **Programmable Products.** Omron Companies shall not be responsible for the user's programming of a programmable Product, or any consequence thereof.
3. **Performance Data.** Data presented in Omron Company websites, catalogs and other materials is provided as a guide for the user in determining suitability and does not constitute a warranty. It may represent the result of Omron's test conditions, and the user must correlate it to actual application requirements. Actual performance is subject to the Omron's Warranty and Limitations of Liability.
4. **Change in Specifications.** Product specifications and accessories may be changed at any time based on improvements and other reasons. It is our practice to change part numbers when published ratings or features are changed, or when significant construction changes are made. However, some specifications of the Product may be changed without any notice. When in doubt, special part numbers may be assigned to fix or establish key specifications for your application. Please consult with your Omron's representative at any time to confirm actual specifications of purchased Product.
5. **Errors and Omissions.** Information presented by Omron Companies has been checked and is believed to be accurate; however, no responsibility is assumed for clerical, typographical or proofreading errors or omissions.

**OMRON AUTOMATION AND SAFETY • THE AMERICAS HEADQUARTERS** • Chicago, IL USA • 847.843.7900 • 800.556.6766 • [www.omron247.com](http://www.omron247.com)

**OMRON CANADA, INC. • HEAD OFFICE**

Toronto, ON, Canada • 416.286.6465 • 866.986.6766 • [www.omron247.com](http://www.omron247.com)

**OMRON ELECTRONICS DE MEXICO • HEAD OFFICE**

México DF • 52.55.59.01.43.00 • 01-800-226-6766 • [mela@omron.com](mailto:mela@omron.com)

**OMRON ELECTRONICS DE MEXICO • SALES OFFICE**

Apodaca, N.L. • 52.81.11.56.99.20 • 01-800-226-6766 • [mela@omron.com](mailto:mela@omron.com)

**OMRON ELETRÔNICA DO BRASIL LTDA • HEAD OFFICE**

São Paulo, SP, Brasil • 55.11.2101.6300 • [www.omron.com.br](http://www.omron.com.br)

**OMRON ARGENTINA • SALES OFFICE**

Cono Sur • 54.11.4783.5300

**OMRON CHILE • SALES OFFICE**

Santiago • 56.9.9917.3920

**OTHER OMRON LATIN AMERICA SALES**

54.11.4783.5300

**OMRON EUROPE B.V.** • Wegalaan 67-69, NL-2132 JD, Hoofddorp, The Netherlands. • +31 (0) 23 568 13 00 • [www.industrial.omron.eu](http://www.industrial.omron.eu)

*Authorized Distributor:*

**Automation Control Systems**

- Machine Automation Controllers (MAC) • Programmable Controllers (PLC)
- Operator interfaces (HMI) • Distributed I/O • Software

**Drives & Motion Controls**

- Servo & AC Drives • Motion Controllers & Encoders

**Temperature & Process Controllers**

- Single and Multi-loop Controllers

**Sensors & Vision**

- Proximity Sensors • Photoelectric Sensors • Fiber-Optic Sensors
- Amplified Photomicrosensors • Measurement Sensors
- Ultrasonic Sensors • Vision Sensors

**Industrial Components**

- RFID/Code Readers • Relays • Pushbuttons & Indicators
- Limit and Basic Switches • Timers • Counters • Metering Devices
- Power Supplies

**Safety**

- Laser Scanners • Safety Mats • Edges and Bumpers • Programmable Safety Controllers • Light Curtains • Safety Relays • Safety Interlock Switches