

Precision Test Adapters

0.8 mm(F) to 0.8 mm(F)

withwave

Versatile RF & MW Test Solutions

Withwave's Precision Test Adapters are designed based on precision microwave interconnection technologies. **This 0.8 mm(F) to 0.8 mm(F)** adapter is manufactured to precise microwave specifications and constructed with 0.8 mm female gender on side 1 and 0.8 mm female gender side 2.

The precision microwave connector interfaces ensure an excellent microwave performance up to 145 GHz



■ Features

- Frequency range : DC to 145 GHz
- VSWR : 1.43 : 1(Max) @ 145 GHz
- Stainless steel (passivated)

■ Specification

Scope	Specification	AD23F23FS1
Electrical	Impedance(Ohm)	50
	Operation Freq.(GHz)	DC to 145 GHz
	VSWR (Max)	1.43 : 1 @ 145 GHz
Material	Dielectric	Special dielectric
	Center Contact	BeCu with gold plated
	Body	Passivated Stainless Steel

* RoHS Compliant

Precision Test Adapters

0.8 mm(F) to 0.8 mm(F)

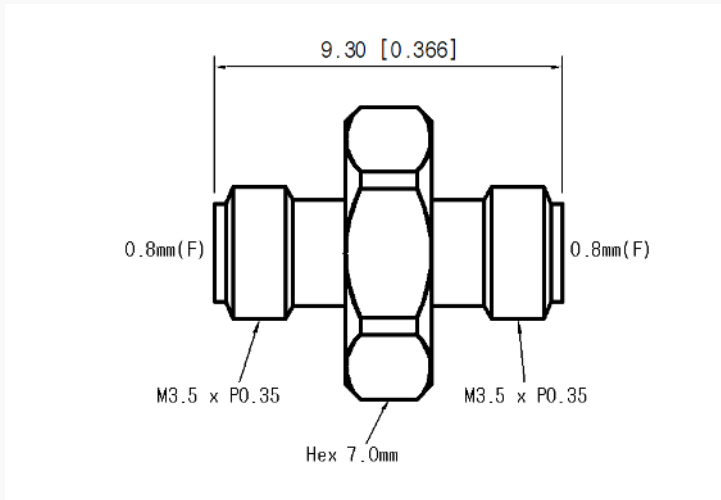
withwave

Versatile RF & MW Test Solutions

■ Drawing

Part No.: AD23F23FS1

Unit : mm[inch]



■ Test Result

▪ Frequency : 10 MHz to 145 GHz

