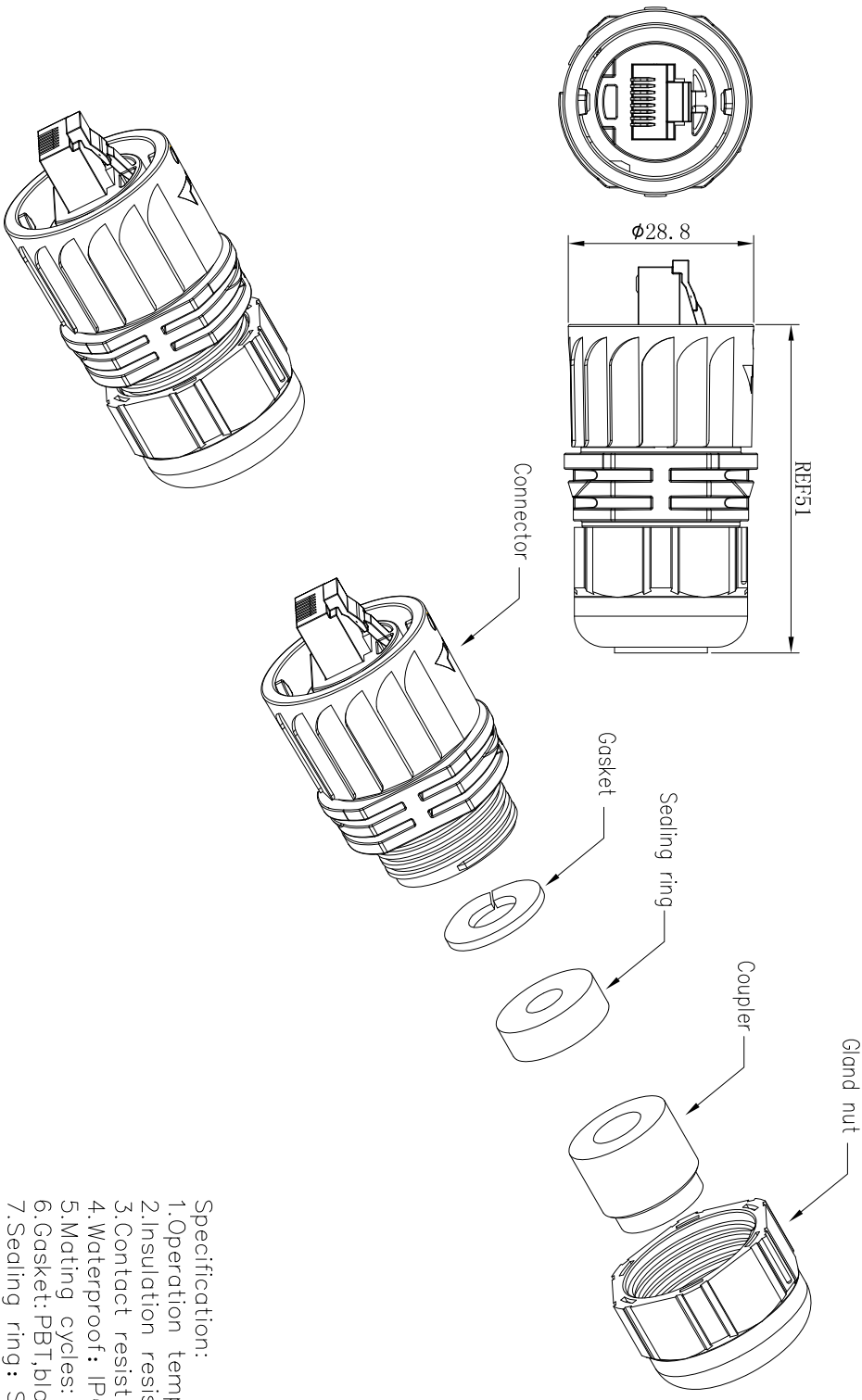
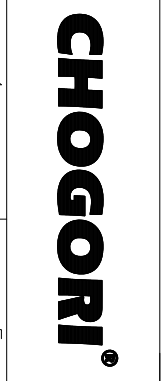


REV.	EON NO.	DESCRIPTION	SIGN	DATE
C1	N/A	Initial Drawing	LiYongSheng	2020/04/29



- Specification:
- 1.Operation temperature: -45℃~105℃。
  - 2.Insulation resistance: 100MΩ at DC500V。
  - 3.Contact resistance: <math>\le 10m\Omega</math>。
  - 4.Waterproof: IP67.
  - 5.Mating cycles: 500 cycles。
  - 6.Gasket: PBT, black
  - 7.Sealing ring: Silicon, black
  - 8.Coupler: Nylon, black
  - 9.Gland nut: Nylon, black
  - 10.RoHS Compliant

UNIT: mm	
TOLERANCE	±0.25 X ±0.15 XX ±0.05 XXX ±1 ANGLES
DESCRIPTION	R145 Quick plug front socket
SCALE	1:1
REV	C1
SIZE	A4
SHEET	X OF X
* : inspection item	X



PART NO	33008131-01	DWG NO		CUSTOMER	
DRAWN BY	LiYongSheng	CHECKED BY	Allen	APPROVED BY	Pomson
DATE	2020/04/29	DATE	2020/04/29	DATE	2020/04/29