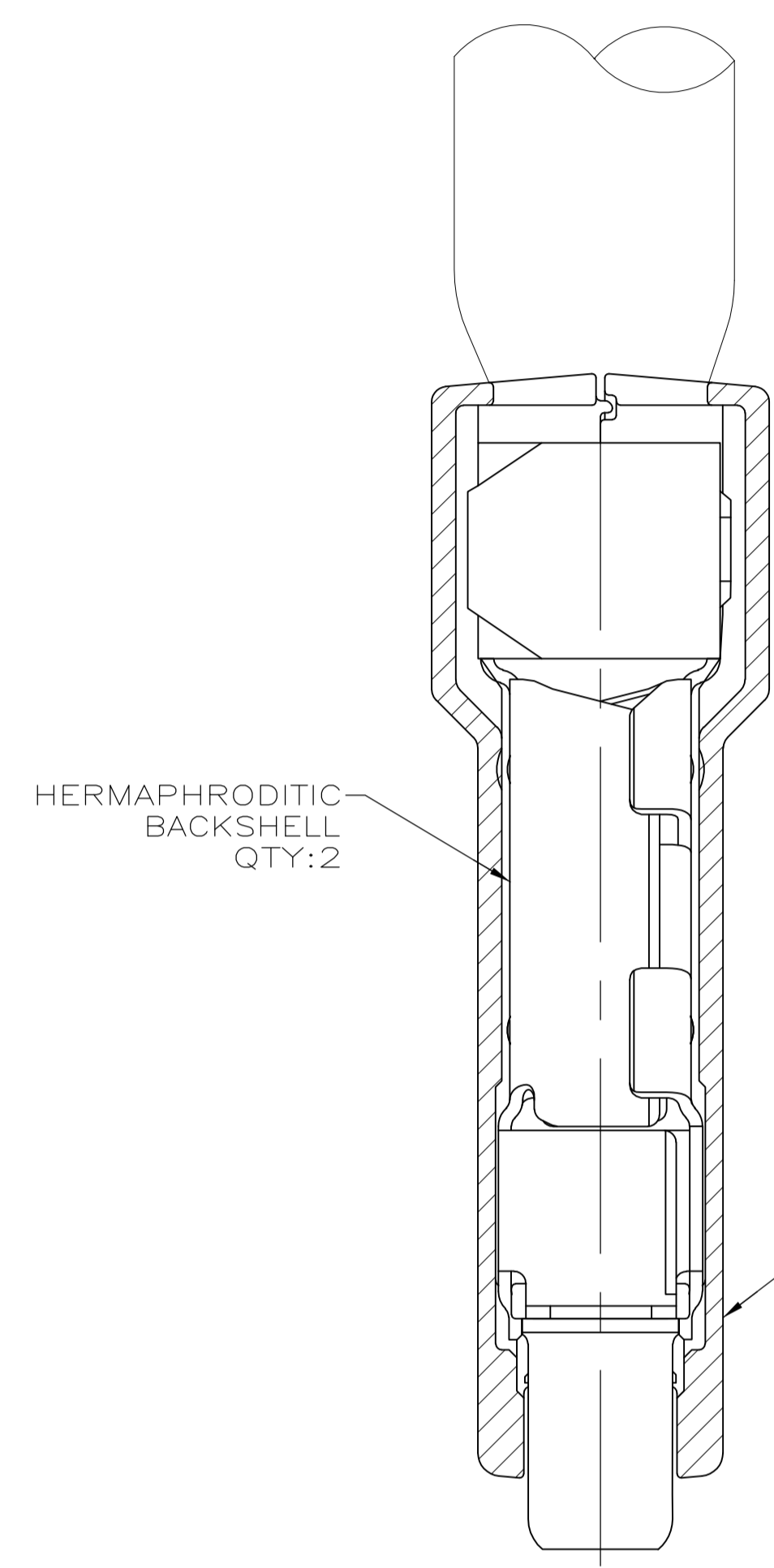


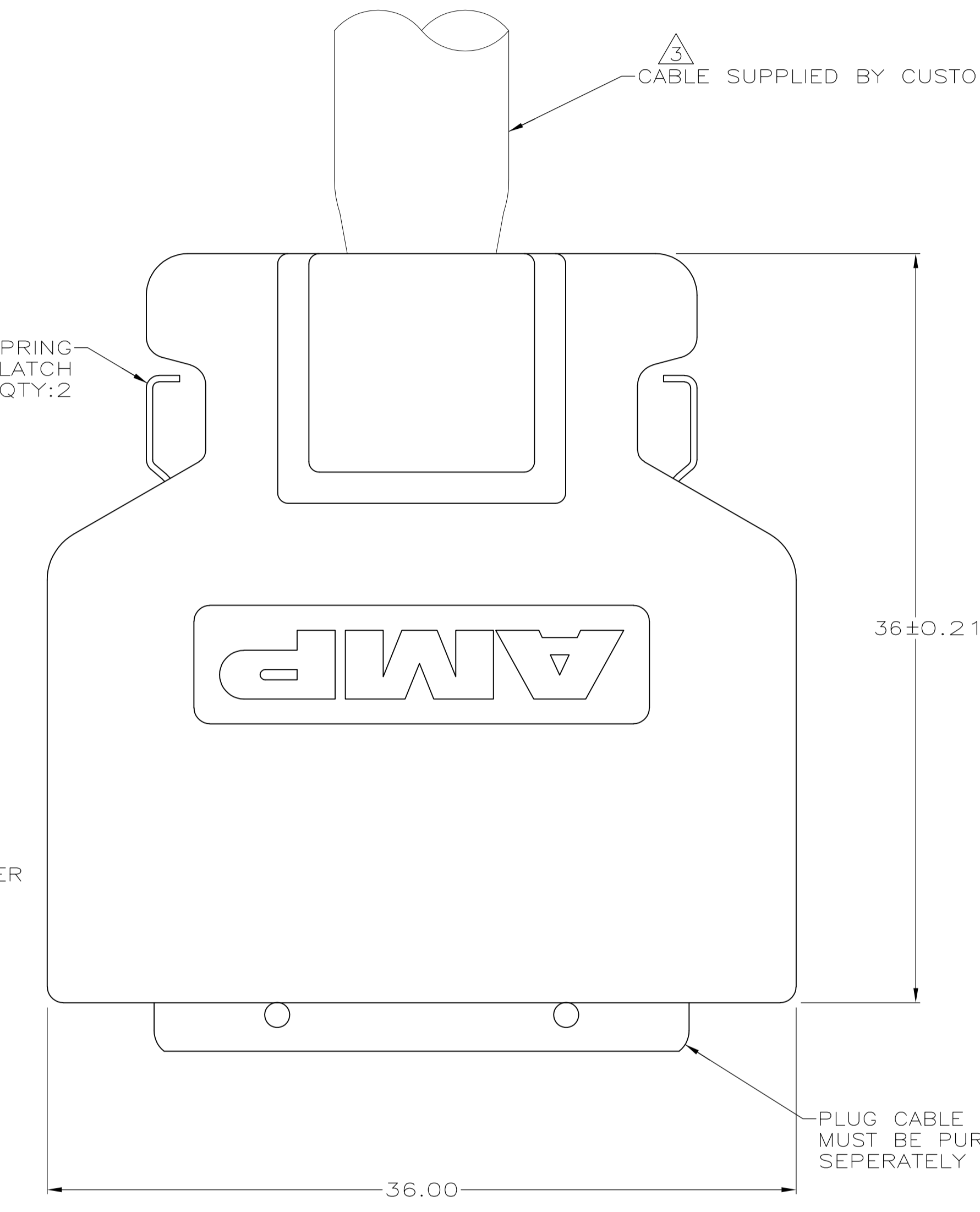
LOC		DIST		REVISIONS			
GP	00	REV	DATE	BY	APPV	DATE	BY
E			28MAR2013	CJV	EDB		



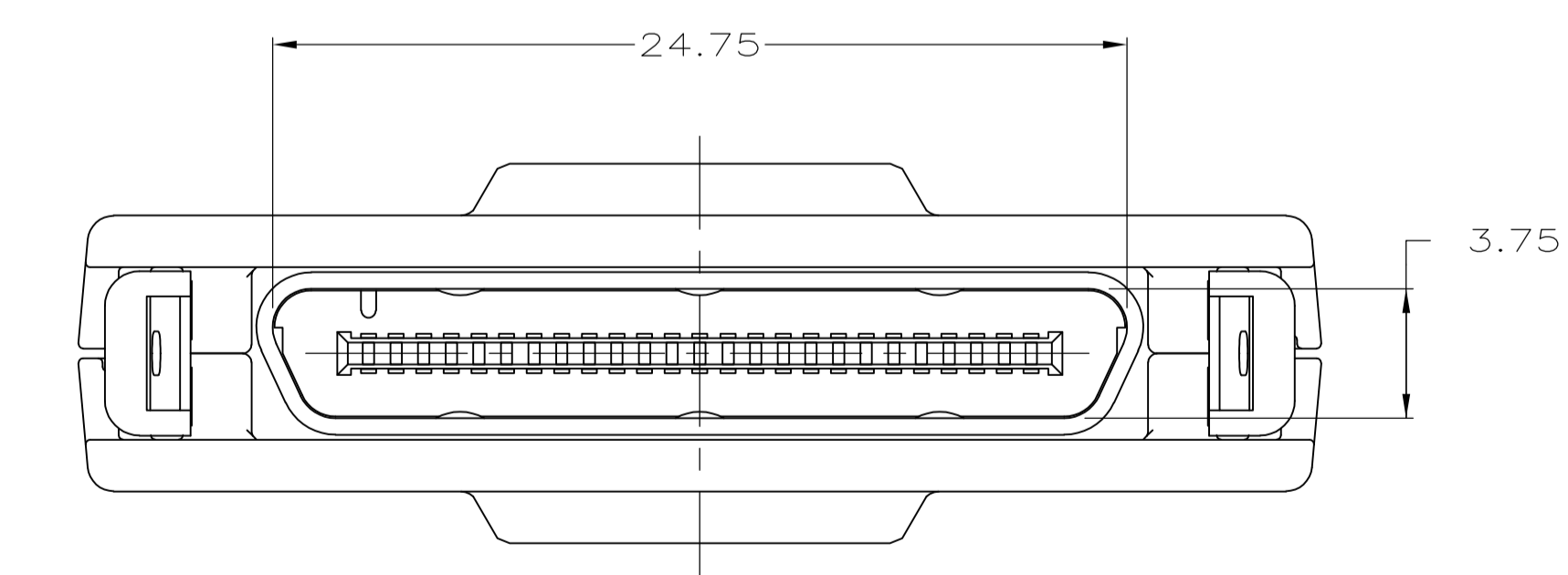
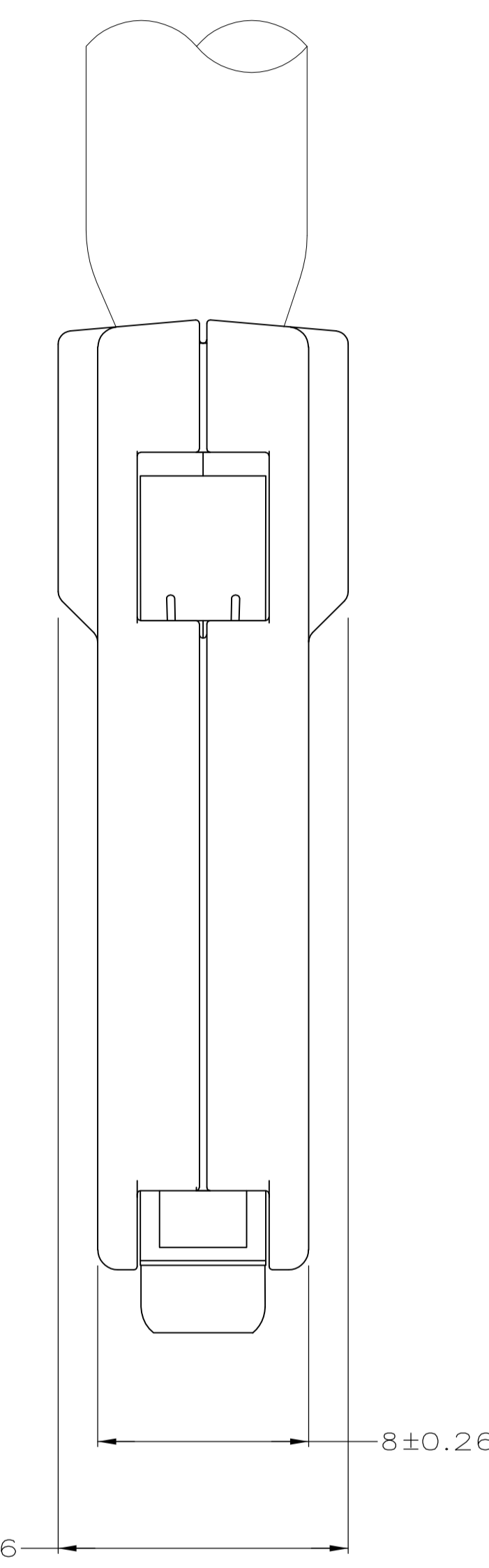
HERMAPHRODITIC SPRING LATCH COVER QTY:2

SPRING LATCH QTY:2

CABLE SUPPLIED BY CUSTOMER



PLUG CABLE CONNECTOR MUST BE PURCHASED SEPERATELY



- ⚠ MATERIAL:
HERMAPHRODITIC BACKSHELL- STEEL.
SPRING LATCH- STAINLESS STEEL.
HERMAPHRODITIC SPRING LATCH COVER- UL 94V-0 RATED
ABS MOLDING COMPOUND, COLOR-BLACK.
- ⚠ PLATING:
HERMAPHRODITIC BACKSHELL- 5µm MIN BRIGHT NICKEL OVER
2.5µm MIN COPPER.
- ⚠ RECOMMENDED WIRE: 30 AWG WITH A 0.56-0.64 INSULATION DIAMETER,
WIRE MUST BE APPROVED BY AMP ENGINEERING.

INDIVIDUAL KIT	787133-2
BULK KIT	787133-1
PACKAGING TYPE	PART NUMBER

THIS DRAWING IS A CONTROLLED DOCUMENT. DIMENSIONING AND TOLERANCING PER ASME Y14.5M-2009		DIN T. SHUEY CHK J. GERACE APD M. WALMSLEY NAME PRODUCT SPEC 108-1471 APPLICATION SPEC		DEBAROS DEBAROS DEBAROS NAME TE Connectivity BACKSHELL KIT, 50 POSITION, SQUEEZE TO RELEASE, CABLE CONNECTOR, 0.8mm CHAMP	
DIMENSIONS: mm 0. PLC ± - 1. PLC ± - 2. PLC ± 0.13 3. PLC ± - 4. PLC ± - ANGLES ± -		TOLERANCES UNLESS OTHERWISE SPECIFIED: 0. PLC ± - 1. PLC ± - 2. PLC ± 0.13 3. PLC ± - 4. PLC ± - ANGLES ± -		SIZE CASE CODE DRAWING NO RESTRICTED TO A1 00779 C=787133 - WEIGHT - CUSTOMER DRAWING SCALE 5:1 SHEET 1 OF 1 REV E	