

**Specification Status: Released**

**Maximum Electrical Rating**

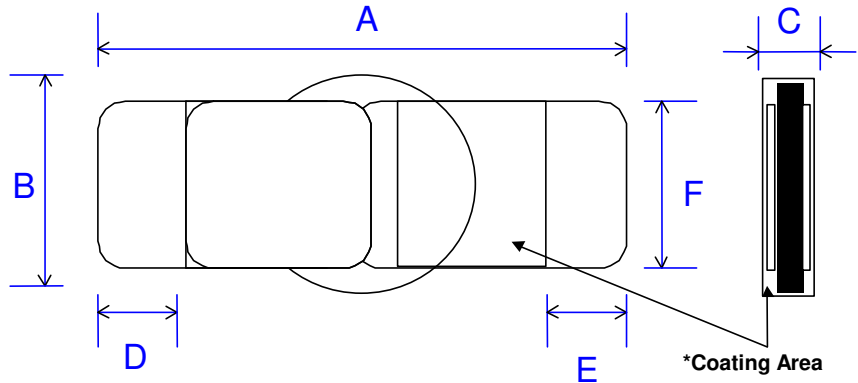
**Operating Voltage: 6Vdc**  
**Interrupt Current: 50A**

Leads: Nickel 1/2H  
0.1mm nominal thickness

Solder: Lead-free

Tape: None

Marking: None



**TABLE I. DIMENSIONS:**

	A		B		C		D		E		F	
	MIN	MAX	MIN	MAX	MIN	MAX	MIN	MAX	MIN	MAX	MIN	MAX
mm:	9.2	10.8	2.96	3.26	0.7	1.1	1.6	3.1	1.6	3.1	2.2	2.4
in*:	(0.36)	(0.43)	(0.12)	(0.13)	(0.03)	(0.04)	(0.06)	(0.12)	(0.06)	(0.12)	(0.09)	(0.09)

\*Rounded off approximation

**TABLE II. PERFORMANCE RATINGS:**

As measured in Mueller Kelvin Clips model BU-75K.

I HOLD	CURRENT TRIP LIMITS								TIME TO TRIP	REFERENCE RESISTANCE	ONE-HOUR POST-TRIP RESISTANCE	TRIPPED-STATE POWER DISSIPATION			
	AMPS 25°C	AMPS AT 0°C	AMPS AT 25°C	AMPS AT 60°C	AMPS AT 85°C	SECONDS AT 25°C, 9.5A	mOHMS AT 25°C	mOHMS AT 25°C	WATTS AT 25°C, 6V						
HOLD	HOLD	TRIP	HOLD	TRIP	HOLD	TRIP	HOLD	TRIP	MIN	MAX	MIN	MAX	MIN	MAX	MAX
1.9	2.6	6.8	1.9	4.9	0.85	2.2	0.4	1.2	-	2.0	7	15	7	24	1.0

Agency Recognitions:  
Reference Documents:  
Precedence:  
Effectivity:  
CAUTION:

UL, CSA, TUV  
PS300  
This specification takes precedence over documents referenced herein.  
Reference documents shall be the issue in effect on the date of invitation for bid.  
Operation beyond the rated voltage or current may result in rupture, electrical arcing or flame.  
Open or high resistance mode failure within rating voltage.  
Damage to coating may result in electrical performance outside specified ratings.

**MATERIALS INFORMATION:**

ROHS Compliant

ELV Compliant

Pb-Free

Directive 2002/95/EC  
Compliant

Directive 2000/53/EC  
Compliant



Information furnished is believed to be accurate and reliable. However, users should independently evaluate the suitability of and test each product selected for their own applications. Littelfuse products are not designed for, and shall not be used for, any purpose (including, without limitation, military, aerospace, medical, lifesaving, life-sustaining or nuclear facility applications, devices intended for surgical implant into the body, or any other application in which the failure or lack of desired operation of the product may result in personal injury, death, or property damage) other than those expressly set forth in applicable Littelfuse product documentation. Warranties granted by Littelfuse shall be deemed void for products used for any purpose not expressly set forth in applicable Littelfuse documentation. Littelfuse shall not be liable for any claims or damages arising out of products used in applications not expressly intended by Littelfuse as set forth in applicable Littelfuse documentation. The sale and use of Littelfuse products is subject to Littelfuse Terms and Conditions of Sale, unless otherwise agreed by Littelfuse.