

4 3 2 1

© - TE Connectivity. All Rights Reserved.

REVISIONS				
P	LTR	DESCRIPTION	DATE	DWN APVD
	B4	ECR-22-127164	25JAN2022	T.Q N.S

(AS SHOWN : -6)

9P ONLY

SECT "H"- "H"

Fig-1

NOTES:
1. PEELING RESISTANCE: 0.196N(20gf)-0.686N(70gf)
SPEED: 300mm/min

TOLERANCE UNLESS OTHERWISE SPECIFIED

10>*	±0.2
30>*>10	±0.25
100>*>30	±0.3
ANGLE	±3°

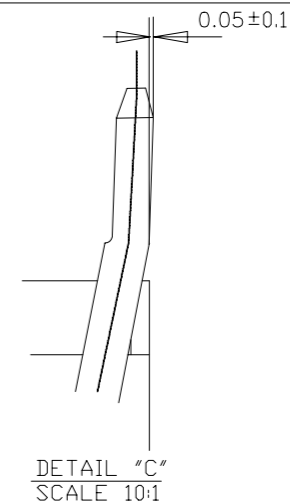
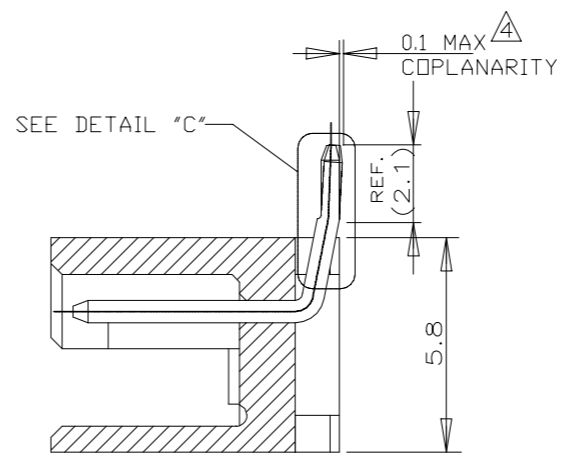
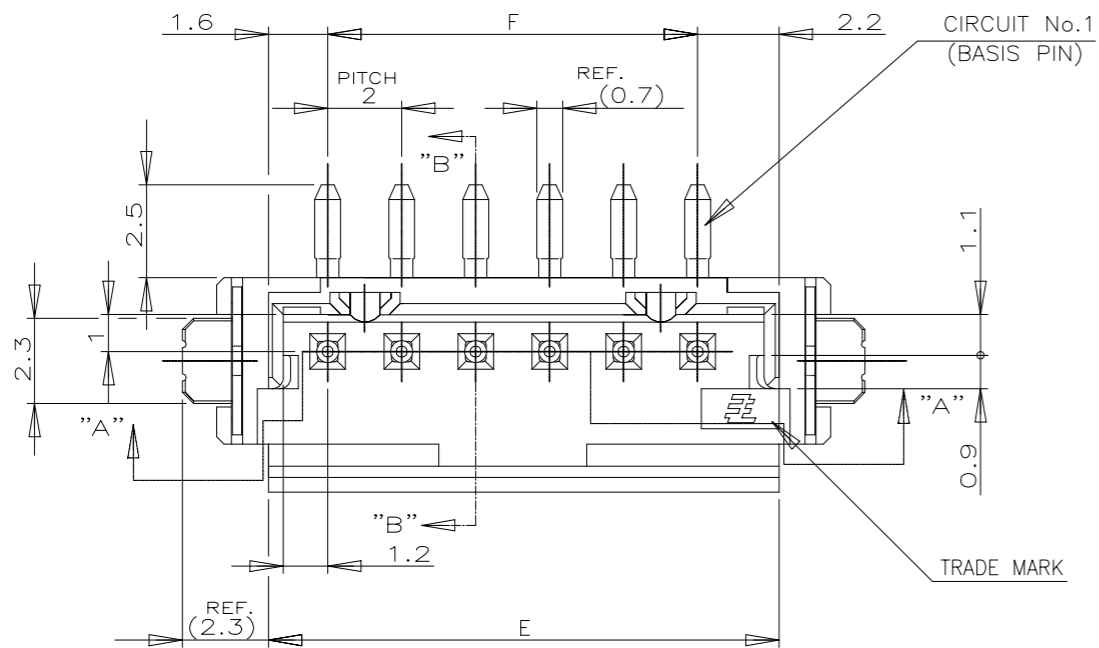
THIS DRAWING IS A CONTROLLED DOCUMENT.

DWN	JACH HOU	19SEP10
CHK	MARTIN LI	19SEP10
APVD	STEVEN YAO	19SEP10
PRODUCT SPEC	108-60016	
APPLICATION SPEC	108-60016	
WEIGHT	A3 00779 C=292175	
CUSTOMER DRAWING	SCALE N/A SHEET 1 OF 3 REV B4	

OBSOLETE	COLOR	PLATE	DIMENSIONS (mm)				QTY/ REEL	POS	TAPING P/N
			D	C	B	A			
BLACK			44.0	40.50	20.25	25.60	9	2-292175-9	
			44.0	40.4	20.2	22.9	8	2-292175-8	
			32.0	28.4	14.2	20.9	7	2-292175-7	
			32.0	28.4	14.2	18.9	6	2-292175-6	
			32.0	28.4	14.2	16.9	5	2-292175-5	
			32.0	28.4	14.2	14.9	4	2-292175-4	
			32.0	28.4	14.2	12.9	3	2-292175-3	
NATURAL	WITH		32.0	28.4	14.2	10.9	700	2-292175-2	
			44.0	40.50	20.25	25.60	9	292175-9	
			44.0	40.4	20.2	22.9	8	292175-8	
			32.0	28.4	14.2	20.9	7	292175-7	
			32.0	28.4	14.2	18.9	6	292175-6	
			32.0	28.4	14.2	16.9	5	292175-5	
			32.0	28.4	14.2	14.9	4	292175-4	
WITH		32.0	28.4	14.2	12.9	3	292175-3		

1470-19 (1/15)

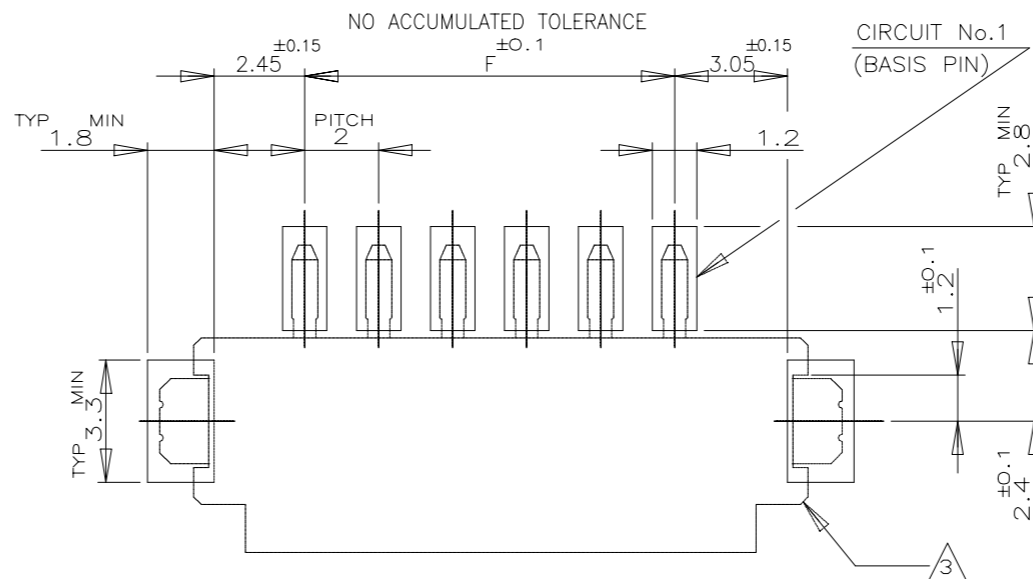
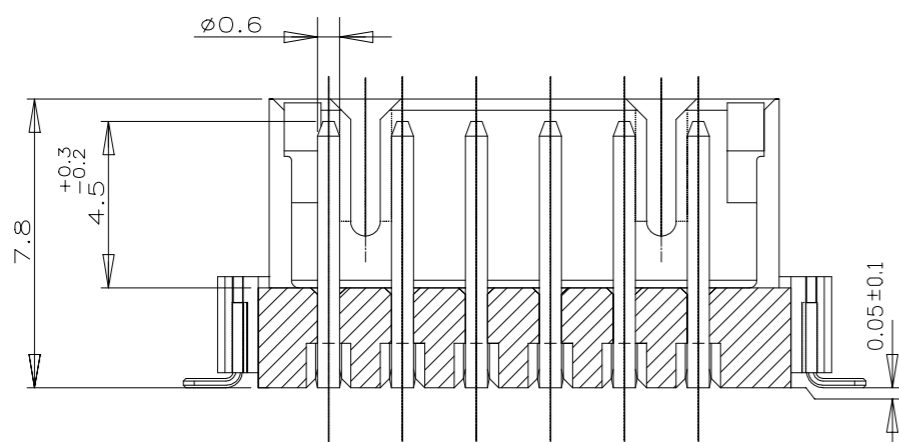
P	LTR	DESCRIPTION	DATE	DWN	APVD
-	-	SEE SHEET 1	-	-	-



NOTES;

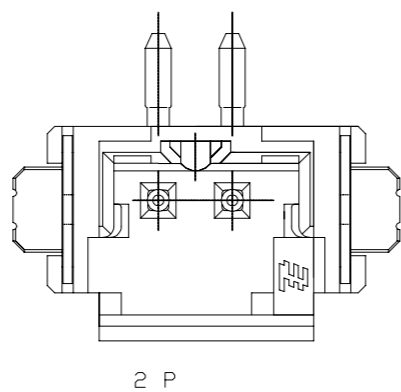
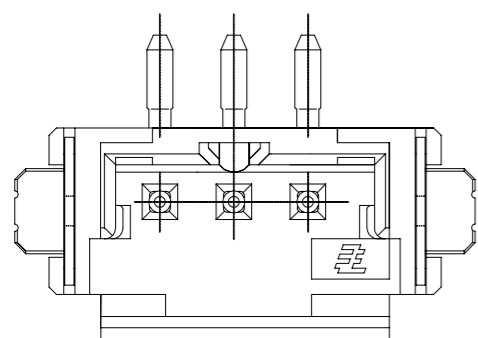
- 2. MATERIAL:HSG-NYLON (UL94V-0)
COLOR:NATURAL,BLACK
POST:TIN BRASS
TAIL: TIN BRASS

- ⊲ OCCUPANT AREA ON PC BOARD
- ⊳ TO BE MEASURED WITH CONNECTOR PLACED ON HORIZONTAL DATUM SURFACE,FLOAT OF SOLDER TINE AND TAIL FROM DATUM SURFACE IS 0.1mm MAX



RECOMENOED P.C.BOARD LAYOUT
(P.C.B THK:0.8mm MIN)

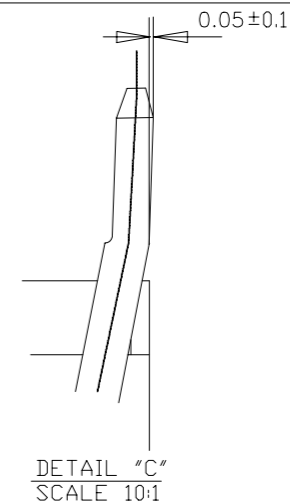
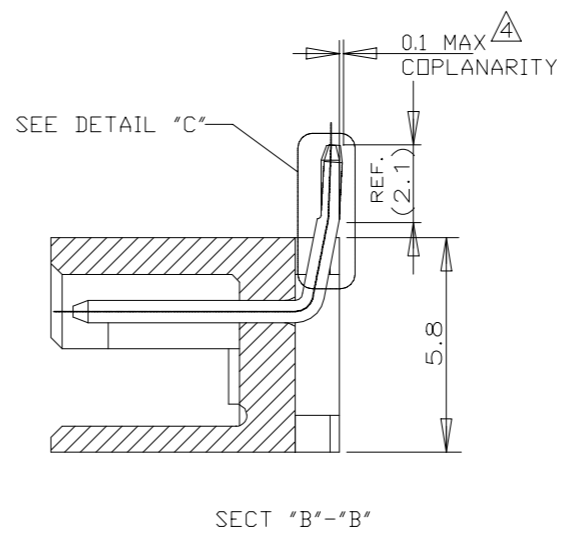
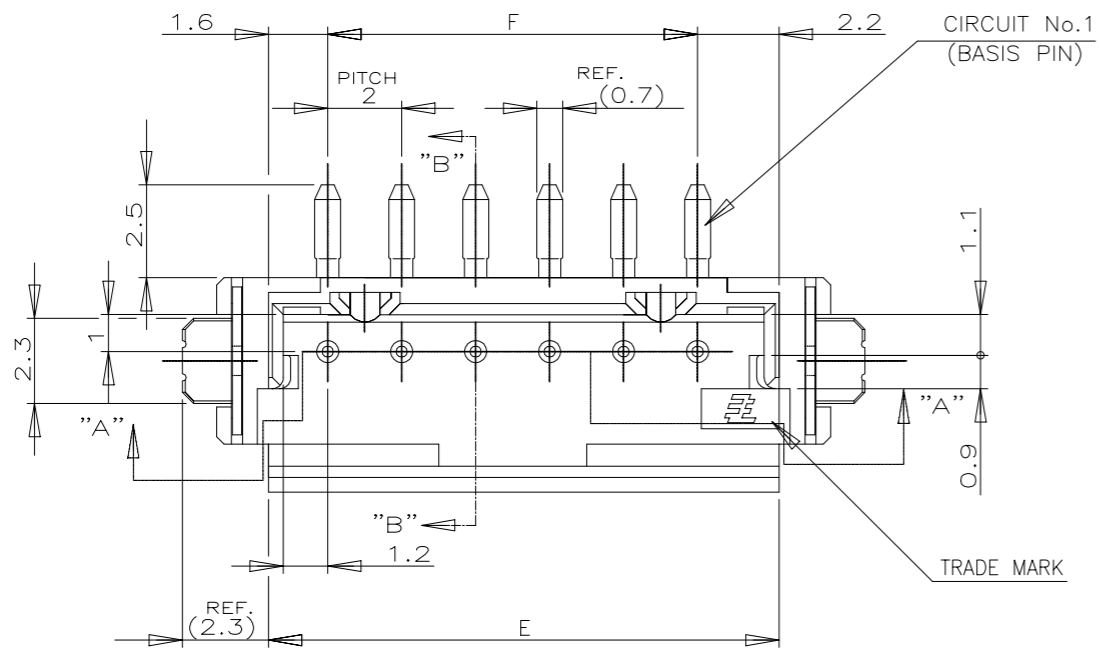
16.0	19.8	9	2-292175-9	292175-9
14.0	17.8	8	2-▲-8	▲-8
12.0	15.8	7	2-▲-7	▲-7
10.0	13.8	6	2-▲-6	▲-6
8.0	11.8	5	2-▲-5	▲-5
6.0	9.8	4	2-▲-4	▲-4
4.0	7.8	3	2-▲-3	▲-3
2.0	5.8	2	2-292175-2	292175-2
F	E	POS.	BLACK	NATURAL
P/N				



TOLERANCES UNLESS OTHERWISE SPECIFIED:
10»* : ±0.2
30»*>10 : ±0.25
100»*>30 : ±0.3
ANGEL : ±3°

THIS DRAWING IS A CONTROLLED DOCUMENT.		DWN	-	STE TE Connectivity Ltd.	
DIMENSIONS: mm		CHK	-		
TOLERANCES UNLESS OTHERWISE SPECIFIED: 0 PLC ±- 1 PLC ±- 2 PLC ±- 3 PLC ±- 4 PLC ±- ANGLES ±-		APVD	-		
MATERIAL: SEE NOTE		FINISH: SEE NOTE		NAME	
SEE NOTE		SEE NOTE		PRODUCT SPEC 108-60016	
SEE NOTE		SEE NOTE		APPLICATION SPEC	
SEE NOTE		SEE NOTE		WEIGHT	
SEE NOTE		SEE NOTE		SIZE: A3	
SEE NOTE		SEE NOTE		CAGE CODE: 00779	
SEE NOTE		SEE NOTE		DRAWING NO: C=292175	
SEE NOTE		SEE NOTE		RESTRICTED TO: -	
SEE NOTE		SEE NOTE		SCALE: N/A	
SEE NOTE		SEE NOTE		SHEET: 2 of 3	
SEE NOTE		SEE NOTE		REV: B4	
SEE NOTE		SEE NOTE		CUSTOMER DRAWING	

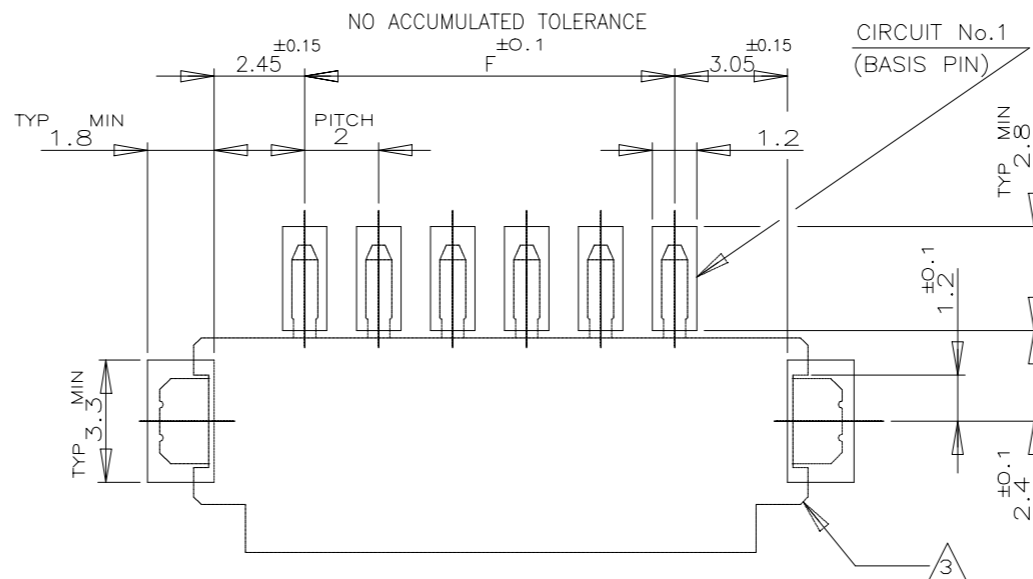
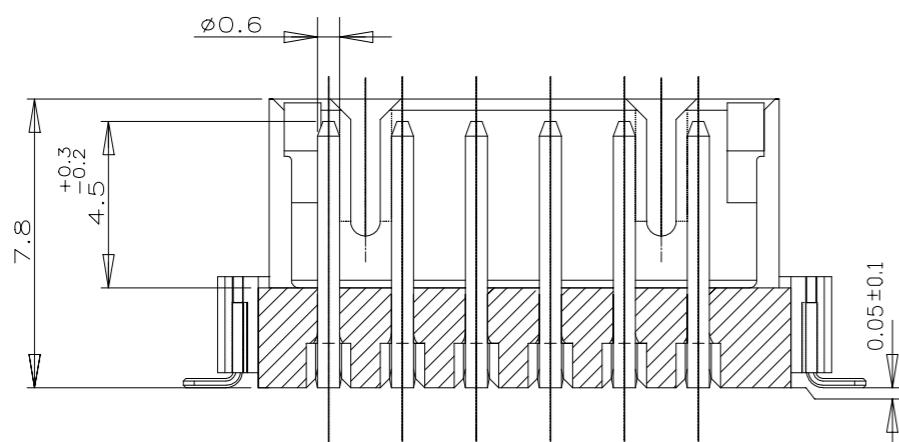
P	LTR	DESCRIPTION	DATE	DWN	APVD
-	-	SEE SHEET 1	-	-	-



NOTES;

- 2. MATERIAL:HSG-NYLON (UL94V-0)
COLOR:NATURAL,BLACK
POST:TIN BRASS
TAIL: TIN BRASS

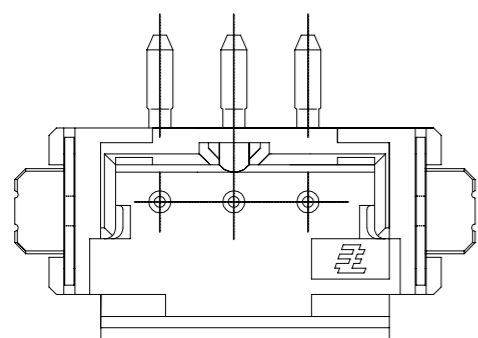
- ⊲ OCCUPANT AREA ON PC BOARD
- ⊳ TO BE MEASURED WITH CONNECTOR PLACED ON HORIZONTAL DATUM SURFACE,FLOAT OF SOLDER TINE AND TAIL FROM DATUM SURFACE IS 0.1mm MAX



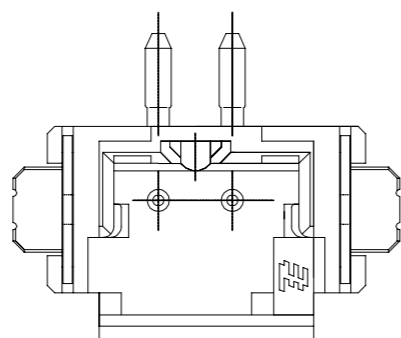
SECT "A"-A"

RECOMENOED P.C.BOARD LAYOUT
(P.C.B THK:0.8mm MIN)

16.0	19.8	9	2-292175-9	292175-9
14.0	17.8	8	2-▲-8	▲-8
12.0	15.8	7	2-▲-7	▲-7
10.0	13.8	6	2-▲-6	▲-6
8.0	11.8	5	2-▲-5	▲-5
6.0	9.8	4	2-▲-4	▲-4
4.0	7.8	3	2-▲-3	▲-3
2.0	5.8	2	2-292175-2	292175-2
F	E	POS.	BLACK	NATURAL
P/N				



3 P



2 P

TOLERANCES UNLESS OTHERWISE SPECIFIED:
10»* : ±0.2
30»* >10 : ±0.25
100»* >30 : ±0.3
ANGEL : ±3°

THIS DRAWING IS A CONTROLLED DOCUMENT.		DWN	-	STE TE Connectivity Ltd.													
DIMENSIONS: mm		CHK	-														
TOLERANCES UNLESS OTHERWISE SPECIFIED:		APVD	-														
<table border="1"> <tr> <td>0 PLC</td> <td>± -</td> </tr> <tr> <td>1 PLC</td> <td>± -</td> </tr> <tr> <td>2 PLC</td> <td>± -</td> </tr> <tr> <td>3 PLC</td> <td>± -</td> </tr> <tr> <td>4 PLC</td> <td>± -</td> </tr> <tr> <td>ANGLES</td> <td>± -</td> </tr> </table>		0 PLC	± -	1 PLC	± -	2 PLC	± -	3 PLC	± -	4 PLC	± -	ANGLES	± -	NAME		ON TAPING (EMBOSS) SMT TYPE POST HDR ASS'Y(V) W/O BOSS & WITH TAIL TYPE	
0 PLC	± -																
1 PLC	± -																
2 PLC	± -																
3 PLC	± -																
4 PLC	± -																
ANGLES	± -																
MATERIAL: SEE NOTE		FINISH: SEE NOTE															
SEE NOTE		SEE NOTE		PRODUCT SPEC: 108-60016													
SEE NOTE		SEE NOTE		APPLICATION SPEC													
SEE NOTE		SEE NOTE		SIZE: A3	CAGE CODE: 00779												
SEE NOTE		SEE NOTE		DRAWING NO: C=292175													
SEE NOTE		SEE NOTE		RESTRICTED TO: -													
SEE NOTE		SEE NOTE		SCALE: N/A													
SEE NOTE		SEE NOTE		SHEET: 3 of 3													
SEE NOTE		SEE NOTE		REV: B4													
SEE NOTE		SEE NOTE		CUSTOMER DRAWING													