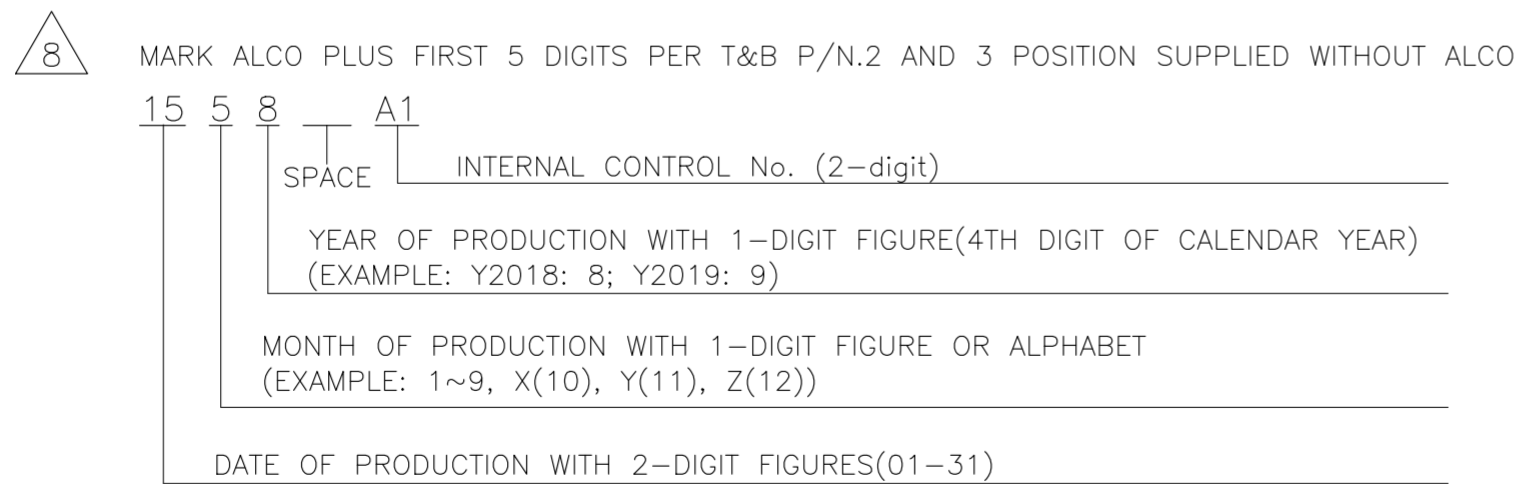
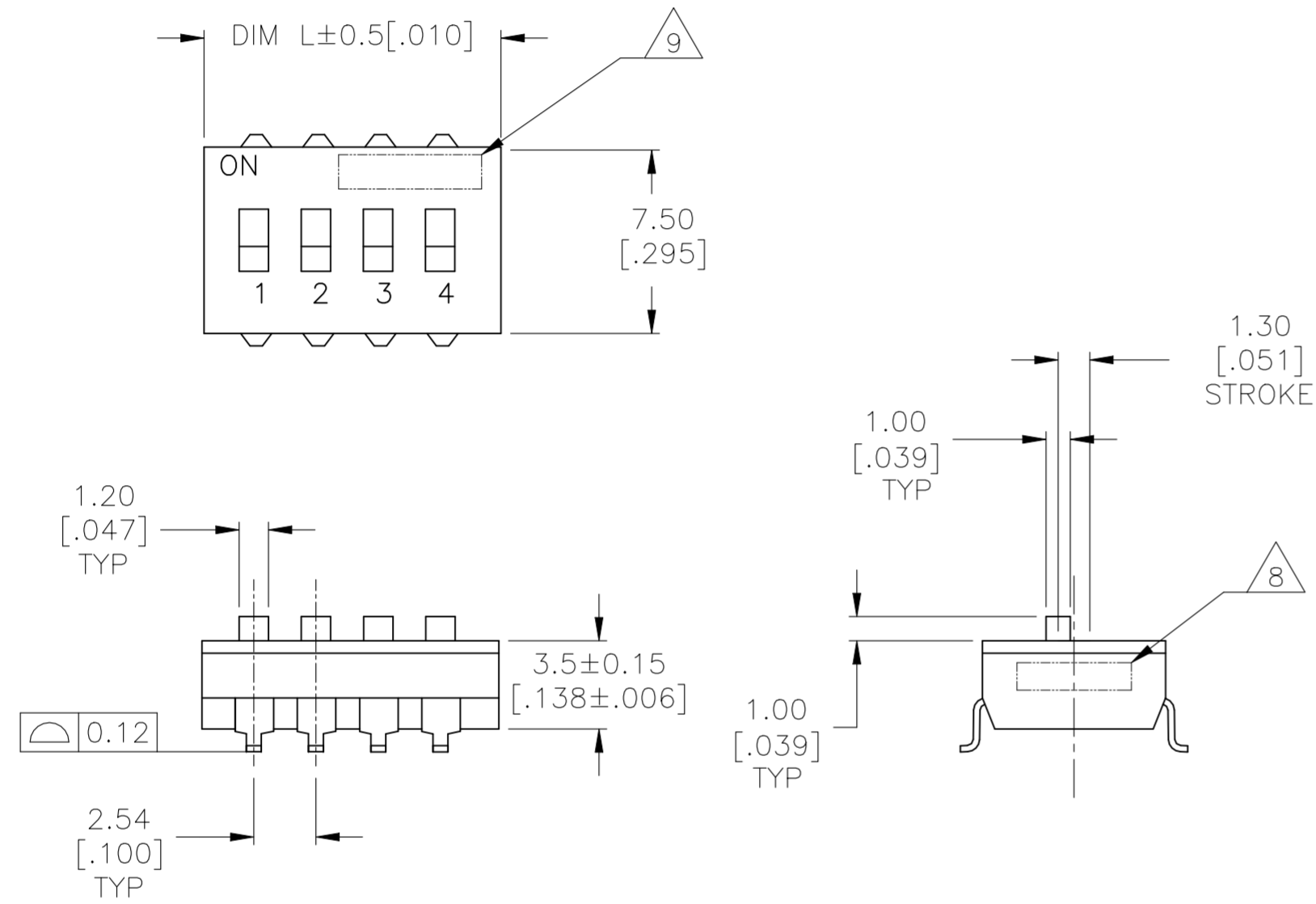


REVISIONS					
P	LTR	DESCRIPTION	DATE	DWN	APVD
T2		REVISED PER ECR-23-177264	10AUG2023	SA	DM



SEE SHEET 2 FOR PART NUMBER TABLE AND MOUNTING OPTIONS

SPECIFICATIONS:

**MATERIAL**  
 BASE, PPS, UL94V-0, BLACK  
 COVER, PPS, UL94V-0, BLACK  
 ACTUATOR, PA6T, UL94V-0, WHITE  
 FIXED CONTACT/TERMINAL, CU ALLOY-GOLD FLASH OVER NICKEL  
 MOVING CONTACT, CU ALLOY, PLATE-GOLD FLASH/NICKEL

**ELECTRICAL**  
 MAX CONTACT RATING SWITCHING, -100mA @5VDC (Ampere max)  
 - 25mA@24VDC (Voltage max).  
 MIN CONTACT RATING SWITCHING, .1MICROAMP @ 1 MILLIVOLT  
 MAX CONTACT NON-SWITCHING, 1AMP @ 5 VDC  
 INITIAL CONTACT RESISTANCE, 50 MILLIOHMS MAX.  
 CONTACT RESISTANCE (AFTER ENVIRONMENTAL TEST), 100 MILLIOHMS  
 CONTACT RESISTANCE (AFTER GAS TEST), 300 MILLIOHMS  
 INSULATION RESISTANCE, 100MΩ MIN@ 100VDC BETWEEN THE SAME POLES  
 DIELECTRIC STRENGTH, 300V AC FOR 1 MINUTE.  
 ELECTRICAL LIFE, 1,000 CYCLES (10mA@5VDC)  
 WITHSTAND VOLTAGE, 300VAC FOR 1 MIN BETWEEN THE SAME POLES

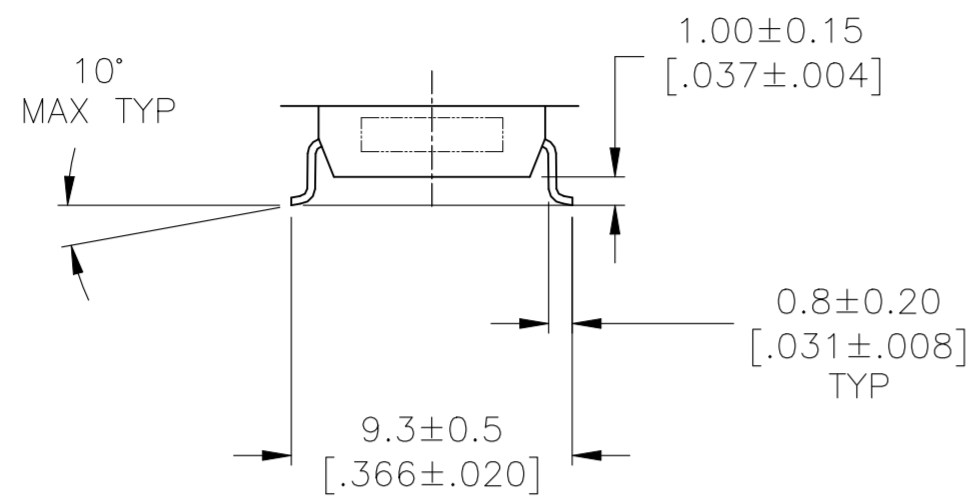
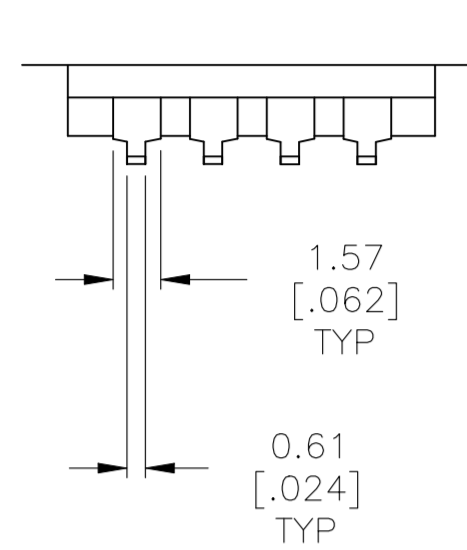
**MECHANICAL**  
 OPERATING FORCE, LESS THAN 800 GRAMS  
 CONTACT PRESSURE, 2.9N MIN.

**ENVIRONMENTAL**  
 OPERATING TEMPERATURE, -30 TO +85 DEGREES C  
 STORAGE TEMPERATURE, -40 TO 85 DEGREES C  
 CLEANING, AQUEOUS OR SOLVENT  
 SOLDER HEAT RESISTANCE, PER 109-201,COND B, SWITCH "OFF".  
 SOLDERABILITY PER JIS C 0050 & JIS C 0053

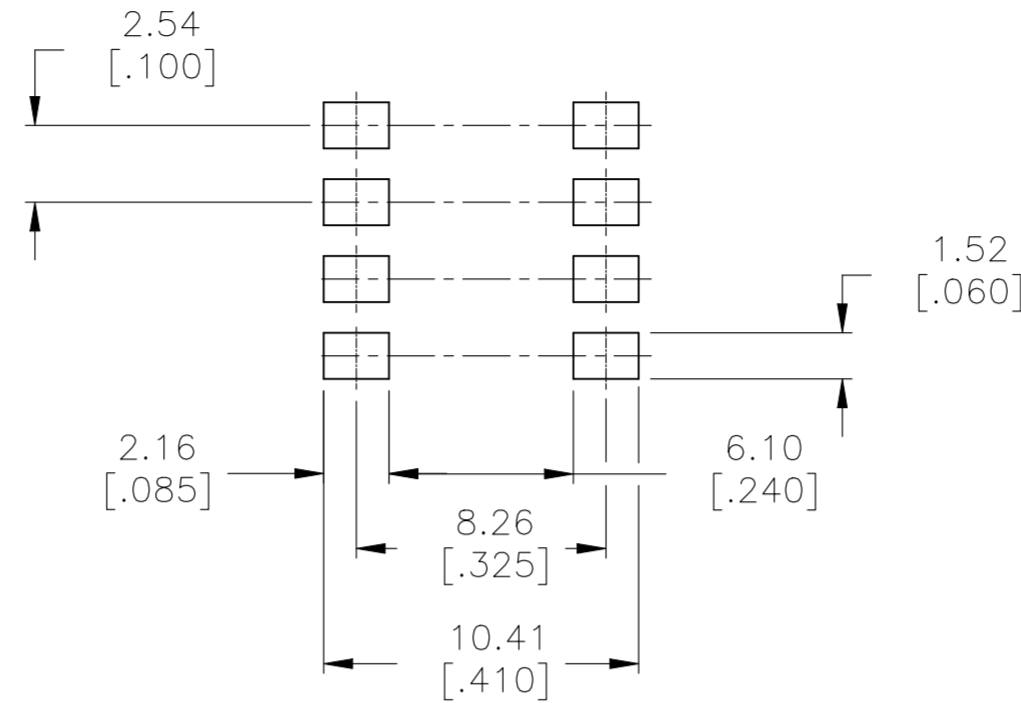
- SWITCHES TO BE RECEIVED IN THE "OFF" POSITION AND PACKAGED IN CLEAR TUBES TO ACCOMMODATE AUTO-INSERTION.
- TOP SURFACE TO BE CLEARLY MARKED AS SHOWN.
- SWITCHES TO BE BLACK WITH WHITE ACTUATORS AND MARKINGS.
- TERMINAL OPTION: OLD T&B P/N ADExxS, SA OR SB  
 S= OUTSIDE "L" TERMINALS; SA= INSIDE "L" TERMINALS;  
 SB= BUTT TERMINALS.
- ALL MATERIALS AND FINISHES SHALL COMPLY WITH EU DIRECTIVE 2002/95/EC OF 27JAN2003 (ROHS).
- OBsolete PARTS: OBSOLETE CIS STREAMLINING PER D.RENAUD/D.SINISI.
- TAPE AND REEL PACKING PER PAGE 3 SPECIFICATIONS.

THIS DRAWING IS A CONTROLLED DOCUMENT.		DWN B.S.VISWESWARA	10FEB05	TE Connectivity	
DIMENSIONS: mm [INCHES]		CHK M.SARVER	APVD M.SARVER		
		TOLERANCES UNLESS OTHERWISE SPECIFIED: 0 PLC ± - 1 PLC ± - 2 PLC ± 0.30[0.012] 3 PLC ± - 4 PLC ± - ANGLES ± -		DIP SWITCH, ADE-SMT SERIES	
MATERIAL		FINISH		SIZE A2	CAGE CODE -
				DRAWING NO C=1825058	RESTRICTED TO -
				WEIGHT	SCALE 4:1
				CUSTOMER DRAWING	SHEET 1 OF 3
				REV T2	

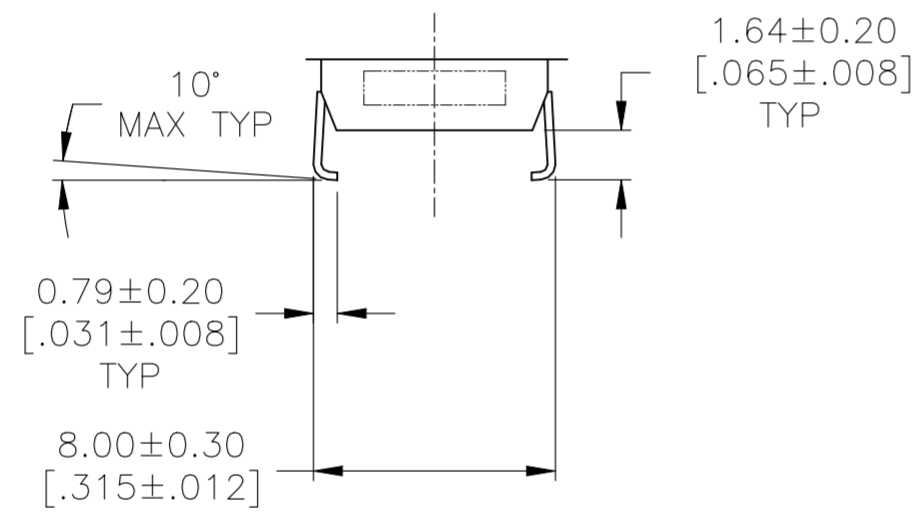
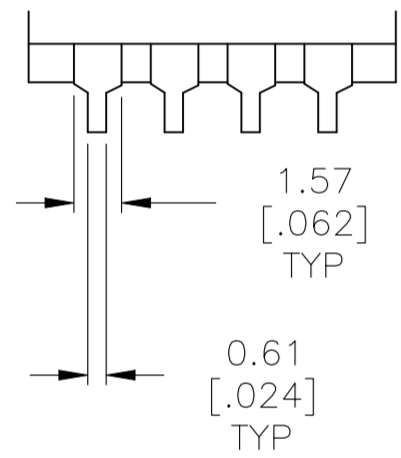
REVISIONS					
P	LTR	DESCRIPTION	DATE	DWN	APVD
-	-	SEE SHEET 1	-	-	-



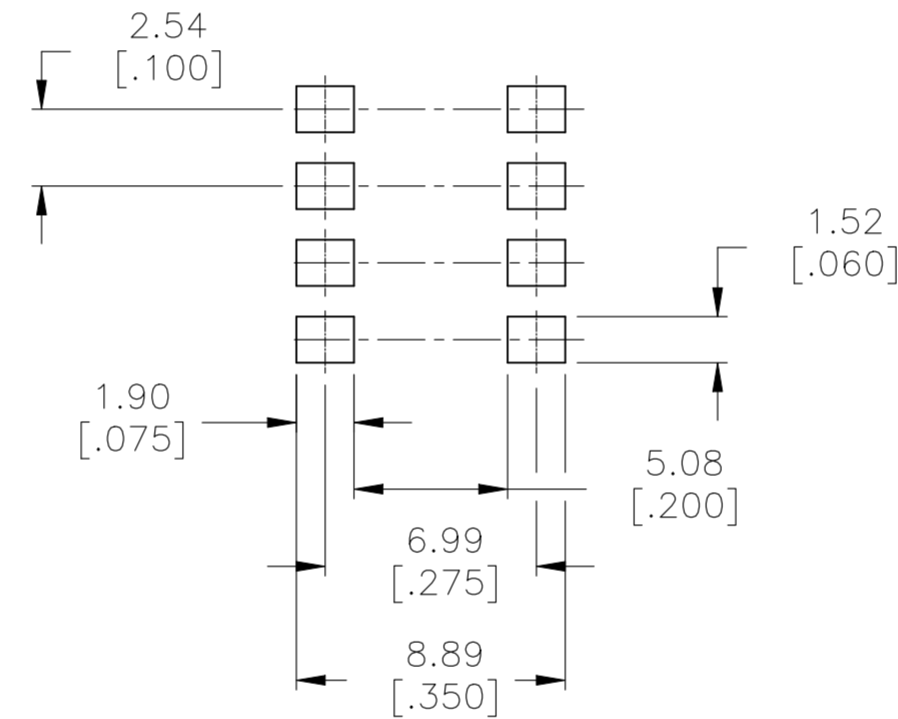
**SURFACE MOUNT**  
S (OUTSIDE "L")



**RECOMMENDED PAD LAYOUT**



**SURFACE MOUNT**  
SA (INSIDE "L")

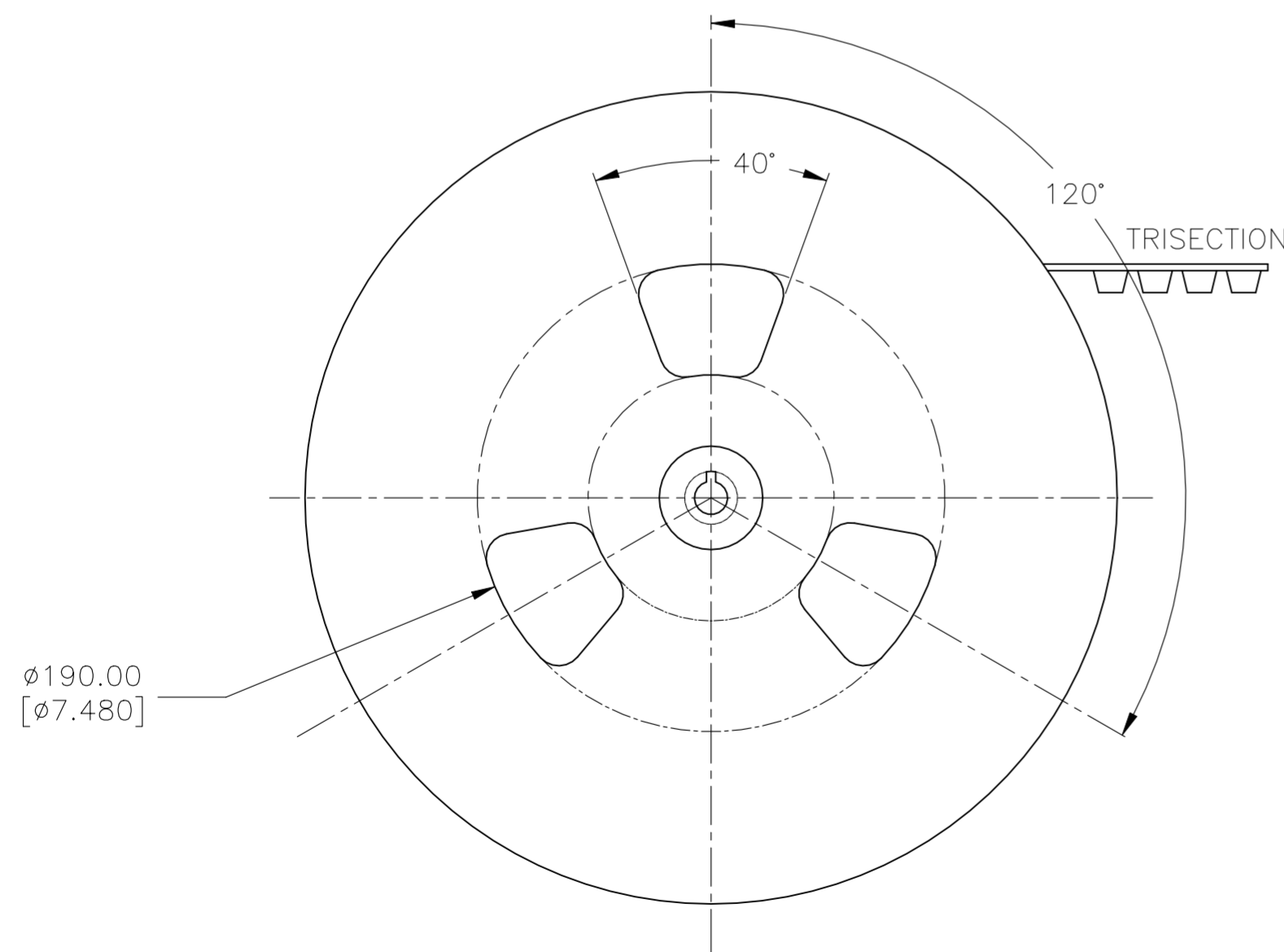
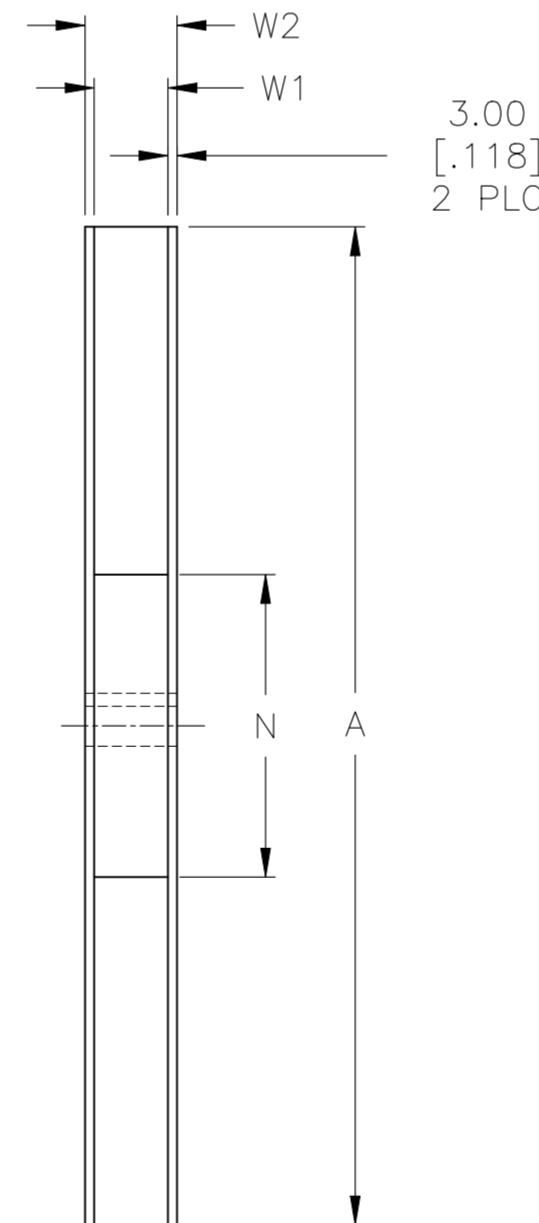
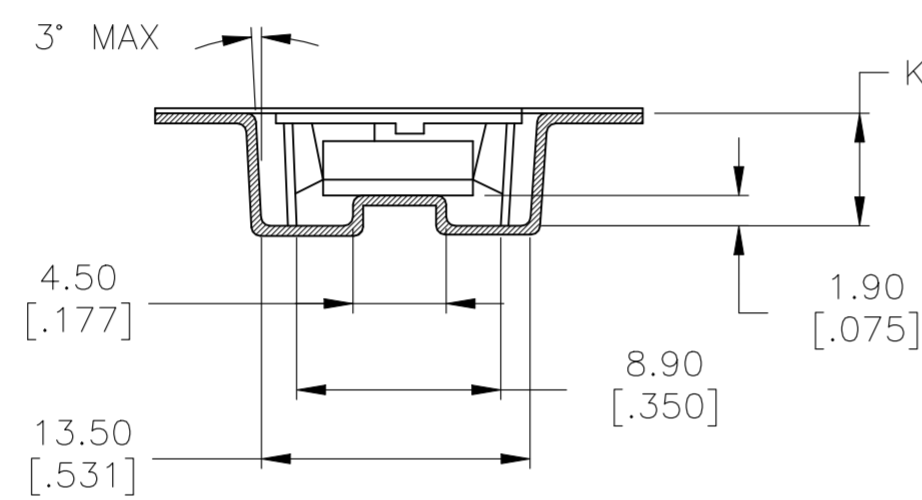
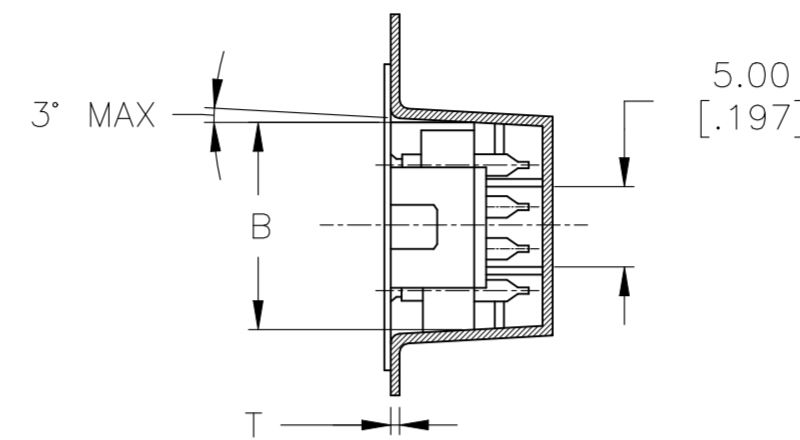
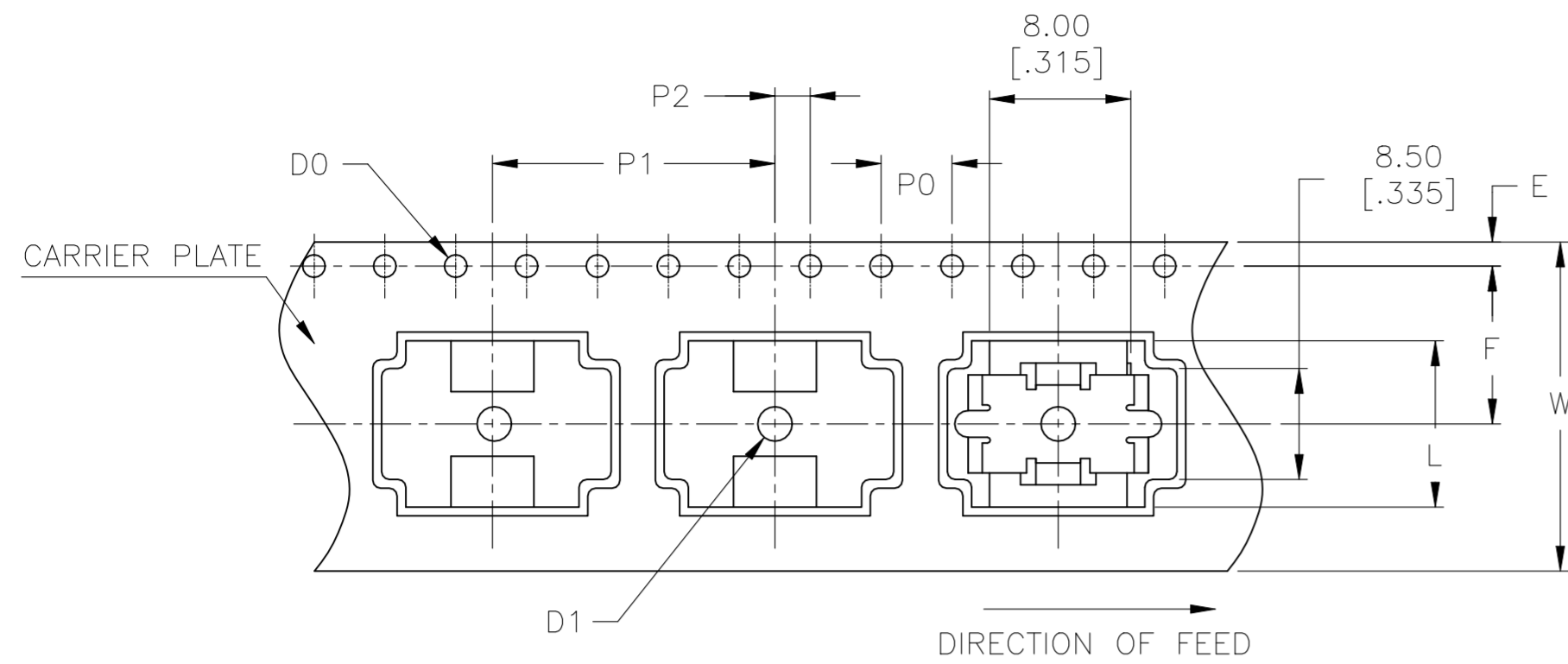


**RECOMMENDED PAD LAYOUT**

	ADE12STR04	32.51	[1.280]	12	4-1825058-1
	ADE10STR04	27.30	[1.075]	10	4-1825058-0
	ADE09STR04	24.54	[.978]	9	3-1825058-9
	ADE08STR04	22.30	[.878]	8	3-1825058-8
	ADE07STR04	19.76	[.778]	7	3-1825058-7
	ADE06STR04	17.22	[.678]	6	3-1825058-6
	ADE05STR04	14.68	[.578]	5	3-1825058-5
	ADE04STR04	12.14	[.478]	4	3-1825058-4
	ADE03STR04	9.60	[.378]	3	3-1825058-3
	ADE02STR04	7.00	[.276]	2	3-1825058-2
	ADE04SATR04	12.14	[.478]	4	3-1825058-1
<b>OBSOLETE</b>	ADE12SB04	32.51	[1.280]	12	3-1825058-0
	ADE12SA04	32.51	[1.280]	12	2-1825058-9
<b>OBSOLETE</b>	ADE10SB04	27.30	[1.075]	10	2-1825058-7
	ADE10SA04	27.30	[1.075]	10	2-1825058-6
<b>OBSOLETE</b>	ADE09SB04	24.54	[.978]	9	2-1825058-4
	ADE09SA04	24.54	[.978]	9	2-1825058-3
<b>OBSOLETE</b>	ADE08SB04	22.30	[.878]	8	2-1825058-1
	ADE08SA04	22.30	[.878]	8	2-1825058-0
	ADE08S04	22.30	[.878]	8	1-1825058-9
	ADE07SB04	19.76	[.778]	7	1-1825058-8
	ADE07SA04	19.76	[.778]	7	1-1825058-7
<b>OBSOLETE</b>	ADE07S04	19.76	[.778]	7	1-1825058-6
<b>OBSOLETE</b>	ADE06SB04	17.22	[.678]	6	1-1825058-5
	ADE06SA04	17.22	[.678]	6	1-1825058-4
	ADE06S04	17.22	[.678]	6	1-1825058-3
	ADE05SB04	14.68	[.578]	5	1-1825058-2
	ADE05SA04	14.68	[.578]	5	1-1825058-1
	ADE05S04	14.68	[.578]	5	1-1825058-0
	ADE04SB04	12.14	[.478]	4	1825058-9
	ADE04SA04	12.14	[.478]	4	1825058-8
	ADE04S04	12.14	[.478]	4	1825058-7
<b>OBSOLETE</b>	ADE03SB04	9.60	[.378]	3	1825058-6
	ADE03SA04	9.60	[.378]	3	1825058-5
	ADE03S04	9.60	[.378]	3	1825058-4
<b>OBSOLETE</b>	ADE02SB04	7.00	[.276]	2	1825058-3
	ADE02SA04	7.00	[.276]	2	1825058-2
	ADE02S04	7.00	[.276]	2	1825058-1
	T&B P/N	DIM L	POSITION	PART NO.	

THIS DRAWING IS A CONTROLLED DOCUMENT.		DWN B.S.VISWESWARA	10FEB05		
DIMENSIONS: mm [INCHES]		CHK M.SARVER	TE Connectivity		
TOLERANCES UNLESS OTHERWISE SPECIFIED:		APVD M.SARVER	NAME		
0 PLC ± -		PRODUCT SPEC	DIP SWITCH, ADE-SMT SERIES		
1 PLC ± -		APPLICATION SPEC	SIZE	CAGE CODE	DRAWING NO
2 PLC ± 0.30[.012]		WEIGHT	A2	-	C=1825058
3 PLC ± -		CUSTOMER DRAWING	SCALE	SHEET	REV
4 PLC ± -			4:1	2 OF 3	T2
ANGLES ± -					
FINISH					
MATERIAL					

P	LTR	DESCRIPTION	DATE	DWN	APVD
-	-	SEE SHEET 1	-	-	-



	DESCRIPTION	MATERIAL	DIMENSION	FINISH	REMARKS
1	REEL	SIDE: CARDBOARD CORE: STYLOFOAM	MENTIONED BELOW		
2	EMBOSSSED TAPE	-	MENTIONED BELOW	ANTISTATIC	BLACK
3	TOP COVER TAPE	-	MENTIONED BELOW	ANTISTATIC	TRANSPARENT

4P	$\phi 330.00 \pm 2.10$ [12.992 ± 0.082]	$\phi 100$ [3.940]	$24.40 \begin{smallmatrix} +2.00 \\ 0 \end{smallmatrix}$ [.960 +.790]	$30.40$ [1.997]
NO OF POSITION	A	N (MIN)	W1	W2 (MAX)

4P	$\phi 1.50 \begin{smallmatrix} +0.10 \\ 0 \end{smallmatrix}$ [.059 +.003]	$4.00 \pm 0.10$ [.157 ± .003]	$16.00 \pm 0.10$ [.629 ± .003]	$2.00 \pm 0.15$ [.078 ± .005]	$11.50 \pm 0.10$ [.453 ± .003]	$7.40 \pm 0.10$ [.291 ± .003]
NO OF POSITION	D1	P0	P1	P2	F	K

4P	$24.00 \pm 0.30$ [.944 ± .011]	$12.90 \pm 0.10$ [.507 ± .003]	$1.75 \pm 0.10$ [.068 ± .003]	$0.50 \pm 0.05$ [.020 ± .001]	$12.14 \pm 0.50$ [.477 ± .020]	$\phi 1.50 \begin{smallmatrix} +0.10 \\ 0 \end{smallmatrix}$ [.059 +.003]
NO OF POSITION	W	B	E	T	L	DO

THIS DRAWING IS A CONTROLLED DOCUMENT.

DWN B.S.VISWESWARA 10FEB05	TE Connectivity
CHK M.SARVER	
APVD M.SARVER	
PRODUCT SPEC	
APPLICATION SPEC	NAME
WEIGHT	SIZE
CUSTOMER DRAWING	CAGE CODE
	DRAWING NO
	RESTRICTED TO
	SCALE
	SHEET
	REV

DIP SWITCH, ADE-SMT SERIES

A2 - C=1825058

4:1 3 OF 3 T2