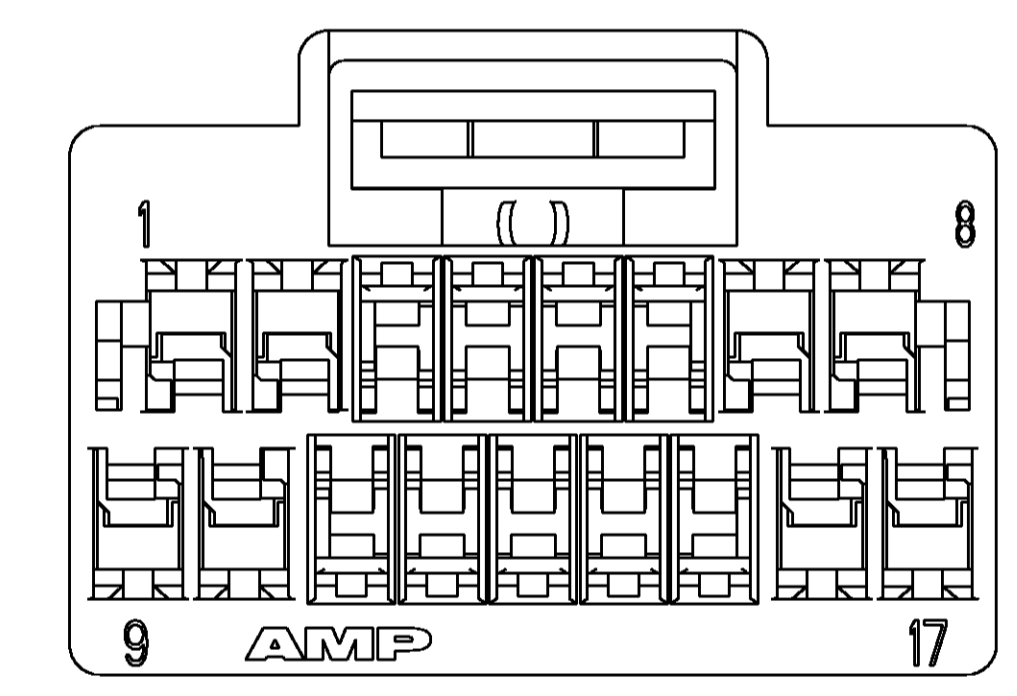
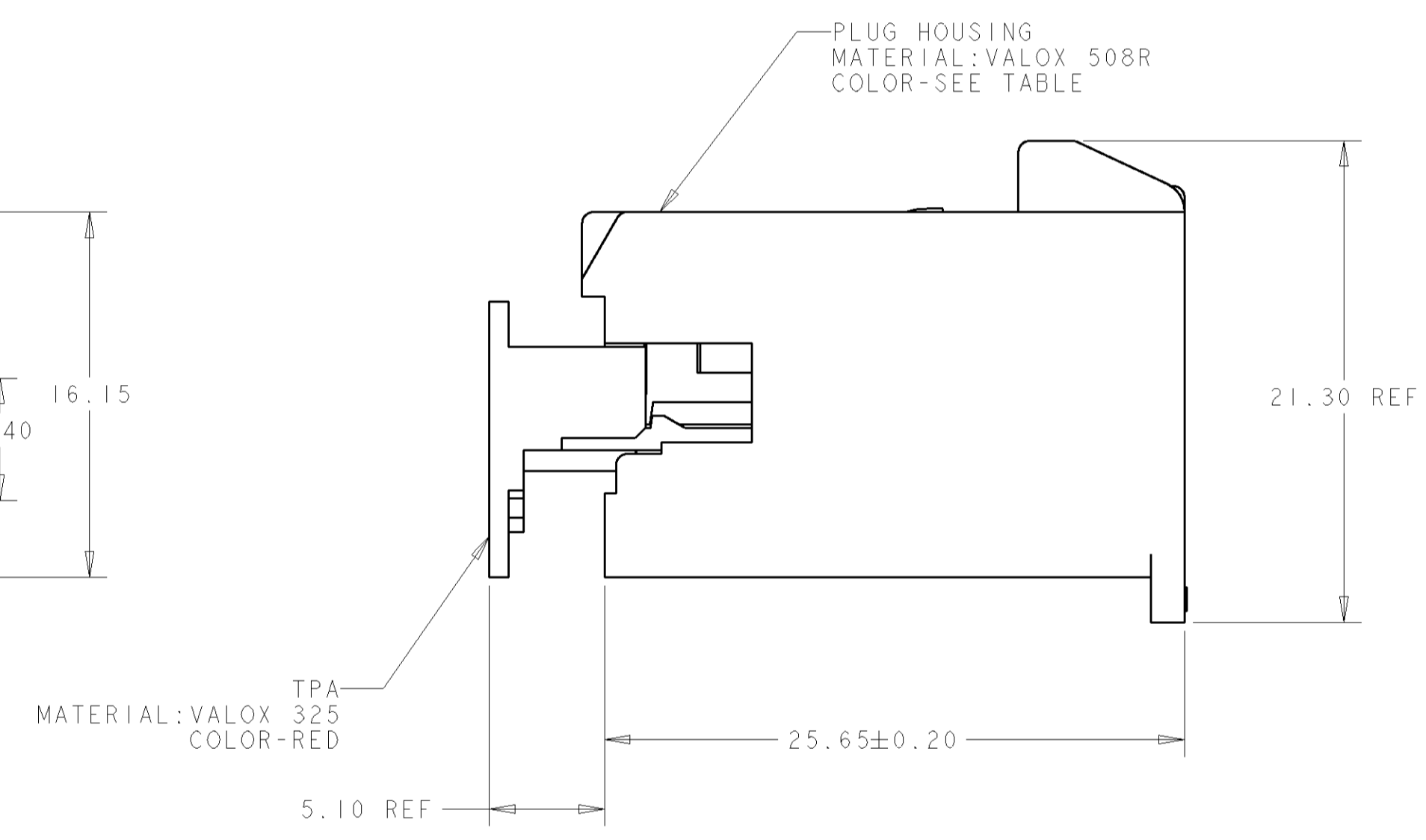
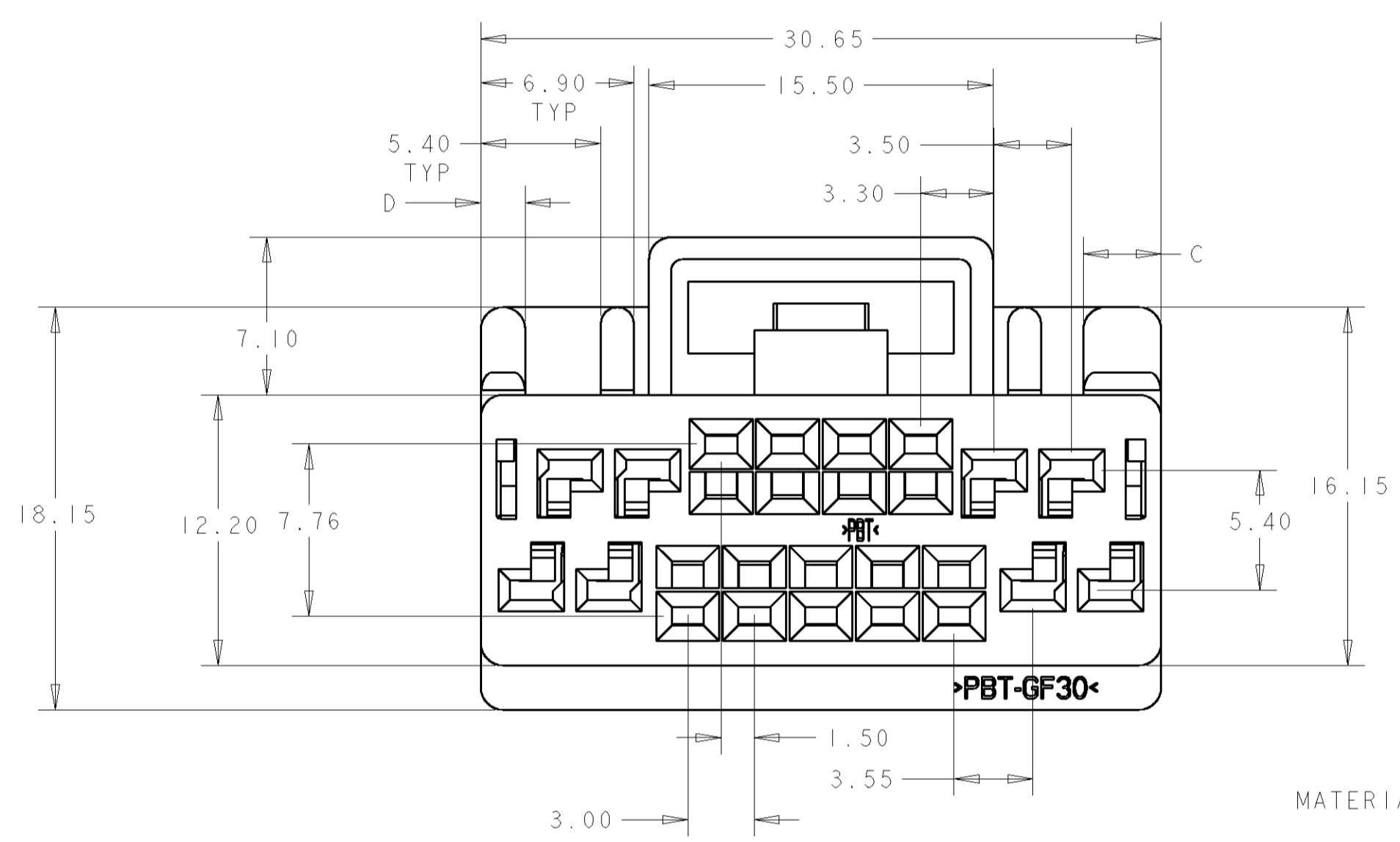
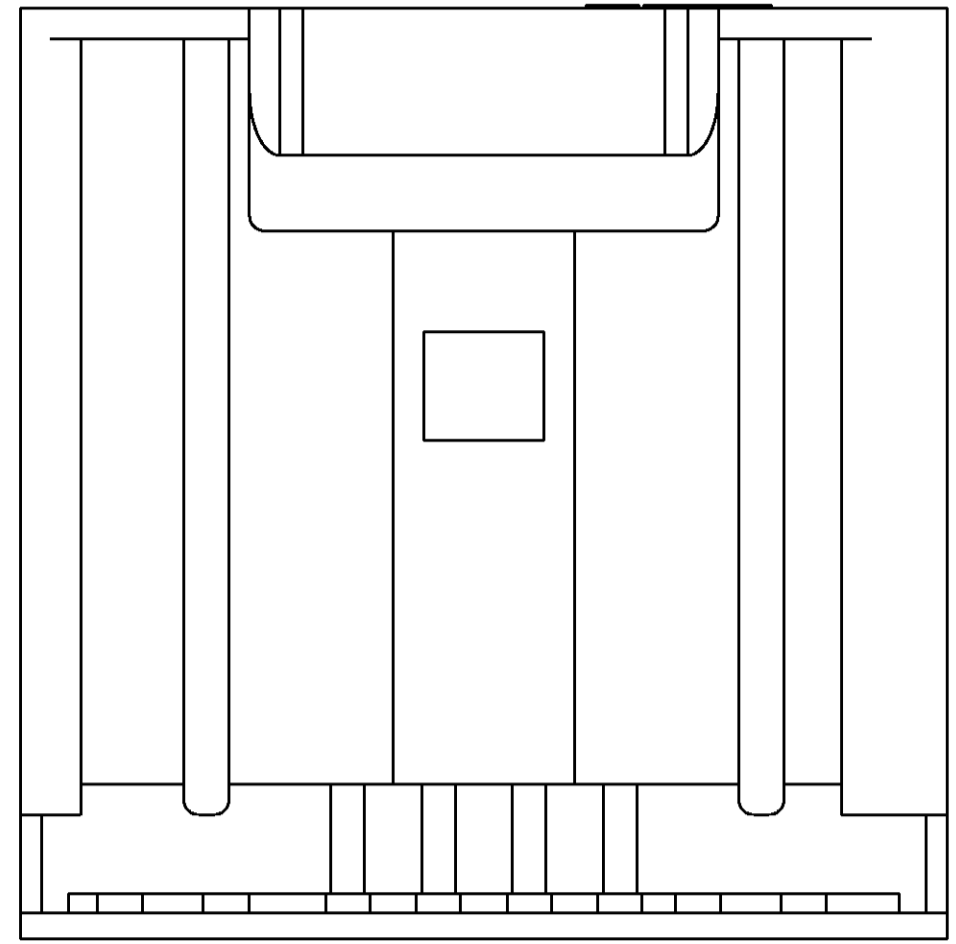
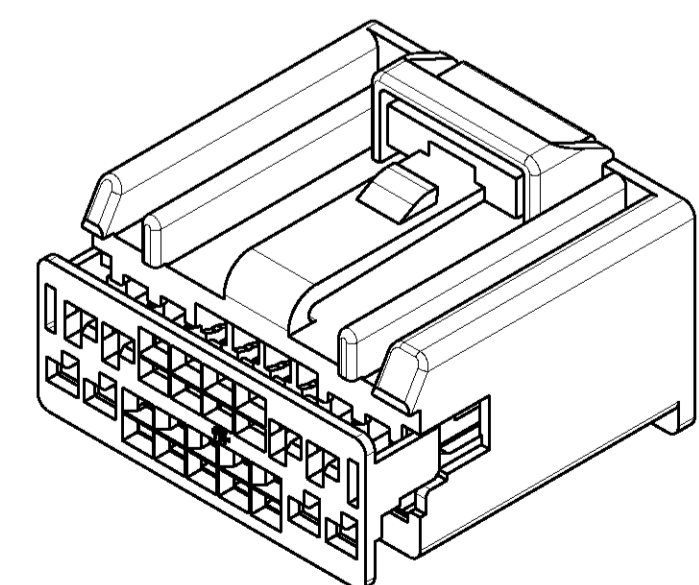


LOC		DIST		REVISONS			
F	LTR	DATE	BY	CHKD	APVD		
FX	00	A	REVISED PER EC #0K80-0076-99	06JUL99	JRB	CBP	

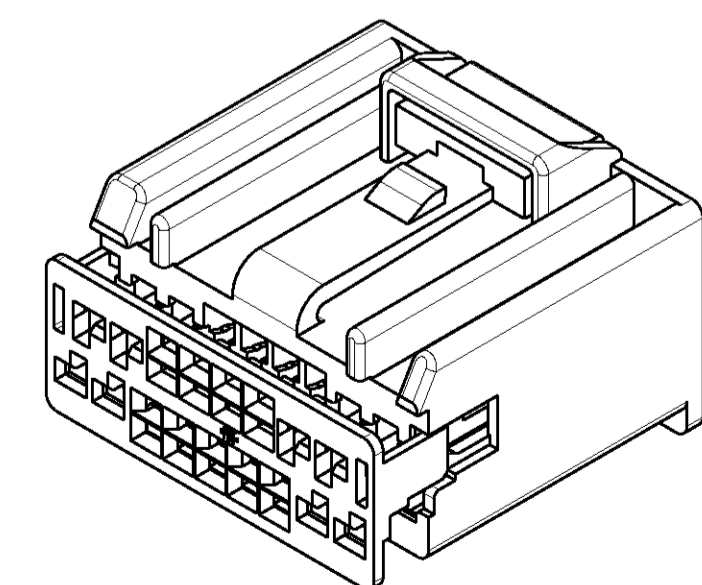


638116-1 SHOWN
KEY A CONFIGURATION

1. TO BE USED WITH RECEPTACLE CONTACT P/NS:
638187-1 & -2



638116-1
KEY A CONFIGURATION
SCALE 2:1



638116-2
KEY B CONFIGURATION
SCALE 2:1

B	3.50	2.00	GRAY	638116-2
A	2.00	3.50	BLACK	638116-1
KEY CONFIGURATION	D	C	COLOR	PART NUMBER

<small>THIS DRAWING IS UNPUBLISHED. RELEASED FOR PUBLICATION BY AMP INCORPORATED. ALL RIGHTS RESERVED.</small>		DWN J. MCNEAL 01-14-98 CHK R. GRAY 01-14-98 APVD R. GRAY 01-14-98	AMP Incorporated Harrisburg, PA 17105-3608
DIMENSIONS: mm 	TOLERANCES UNLESS OTHERWISE SPECIFIED: 0 PLC ± 1 PLC ±0.2 2 PLC ±0.1 3 PLC ± 4 PLC ±0.0001 ANGLES ±	PRODUCT SPEC APPLICATION SPEC WEIGHT CUSTOMER DRAWING	NAME 17 POSITION HYBRID PLUG ASSEMBLY SIZE A1 CAGE CODE 00779 DRAWING NO C=638116 SCALE 2:1 SHEET 1 OF 1 REV A