

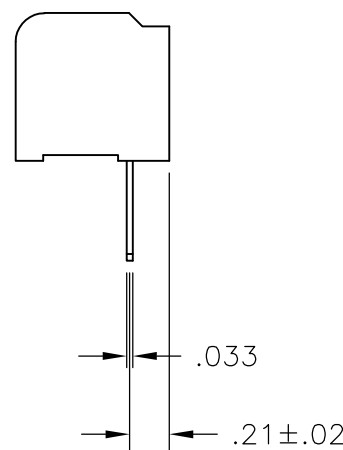
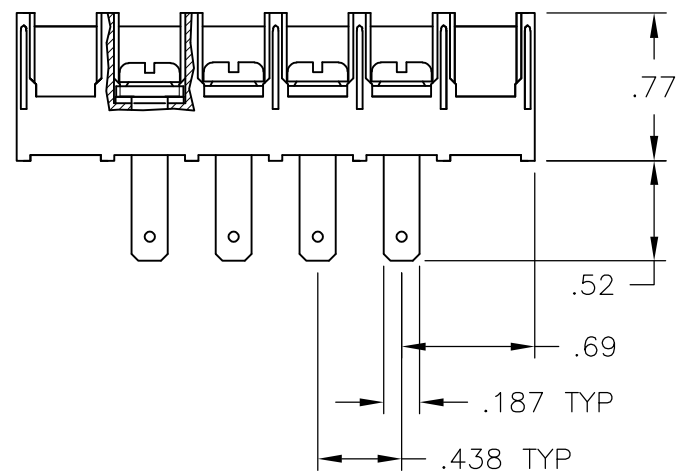
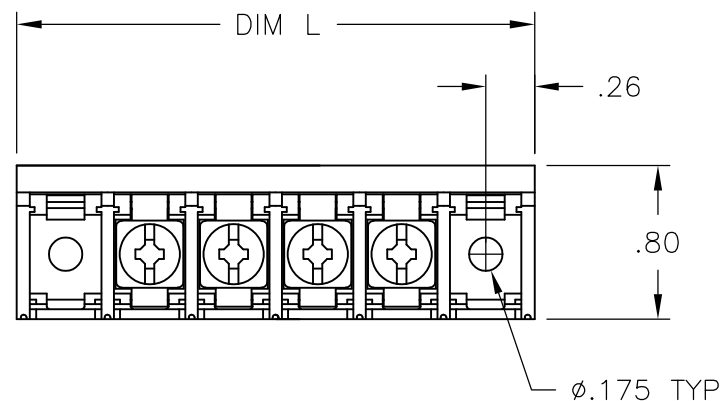
THIS DRAWING IS UNPUBLISHED. RELEASED FOR PUBLICATION  
 © COPYRIGHT BY TYCO ELECTRONICS CORPORATION. ALL RIGHTS RESERVED.

| LOC | DIST | REVISIONS |     |                           |         |     |      |
|-----|------|-----------|-----|---------------------------|---------|-----|------|
| FT  | 0    | P         | LTR | DESCRIPTION               | DATE    | DWN | APVD |
|     |      |           | C   | REVISED PER ECO-10-004812 | 04MAY10 | HMR | CR   |

**MATERIALS:**  
 HOUSING: THERMOPLASTIC, UL94V-0, BLACK.  
 TERMINAL: BRIGHT TIN OVER COPPER ALLOY.  
 SCREWS: 8-32, ZINC PLATED STEEL.

**ELECTRICAL:**  
 CURRENT RATING: 30A  
 VOLTAGE RATING: 600V  
 WIRE RANGE: 10-18 AWG (UL)  
 10-22 AWG (CSA)

**MECHANICAL:**  
 RECOMMENDED TORQUE: 20 IN-LB.  
 OPERATING TEMP.: -40°C TO +120°C MAX.



| 8.823 | 18        | 8QCV-18-006    | 1-1546584-8 |
|-------|-----------|----------------|-------------|
| 8.385 | 17        | 8QCV-17-006    | 1-1546584-7 |
| 7.948 | 16        | 8QCV-16-006    | 1-1546584-6 |
| 7.510 | 15        | 8QCV-15-006    | 1-1546584-5 |
| 7.073 | 14        | 8QCV-14-006    | 1-1546584-4 |
| 6.635 | 13        | 8QCV-13-006    | 1-1546584-3 |
| 6.198 | 12        | 8QCV-12-006    | 1-1546584-2 |
| 5.760 | 11        | 8QCV-11-006    | 3-1437659-1 |
| 5.323 | 10        | 8QCV-10-006    | 3-1437659-0 |
| 4.885 | 9         | 8QCV-09-006    | 1546584-9   |
| 4.448 | 8         | 8QCV-08-006    | 9-1546159-9 |
| 4.010 | 7         | 8QCV-07-006    | 1546584-7   |
| 3.573 | 6         | 8QCV-06-006    | 9-1546159-8 |
| 3.135 | 5         | 8QCV-05-006    | 2-1437659-2 |
| 2.698 | 4         | 8QCV-04-006    | 2-1437659-0 |
| 2.260 | 3         | 8QCV-03-006    | 9-1546159-5 |
| 1.823 | 2         | 8QCV-02-006    | 1-1437659-1 |
| DIM L | NO OF POS | CATALOG NUMBER | TE NUMBER   |

|   |  |                  |            |                      |   |           |               |               |
|---|--|------------------|------------|----------------------|---|-----------|---------------|---------------|
| THIS DRAWING IS A CONTROLLED DOCUMENT.  |  | DWN              | S SCHLEGEL | 10/25/06             | Tyco Electronics Corporation<br>Harrisburg, PA 17105-3608 |           |               |               |
| DIMENSIONS: INCHES  |  | CHK              | S YODER    | 10/25/06             |   |           |               |               |
| TOLERANCES UNLESS OTHERWISE SPECIFIED:  |  | APVD             | S YODER    | 10/25/06             | NAME  |           |               |               |
| 0 PLC ± -<br>1 PLC ± -<br>2 PLC ± .01<br>3 PLC ± .005<br>4 PLC ± -<br>ANGLES ± 1° |  | PRODUCT SPEC     |            | 8QCV-XX-006 ASSEMBLY |   |           |               |               |
| MATERIAL  |  | APPLICATION SPEC |            | SIZE                 |   | CAGE CODE | DRAWING NO    | RESTRICTED TO |
| FINISH  |  | WEIGHT           |            | A3                   |   | 00779     | C-1-1437659-1 | -             |
| CUSTOMER DRAWING  |  |                  |            | SCALE                | 1:1   | SHEET     | 1 OF 1        | REV C         |