

THIS DRAWING IS UNPUBLISHED.

RELEASED FOR PUBLICATION

20

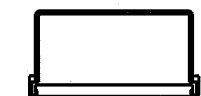
© COPYRIGHT 20

BY TYCO ELECTRONICS CORPORATION. ALL RIGHTS RESERVED.

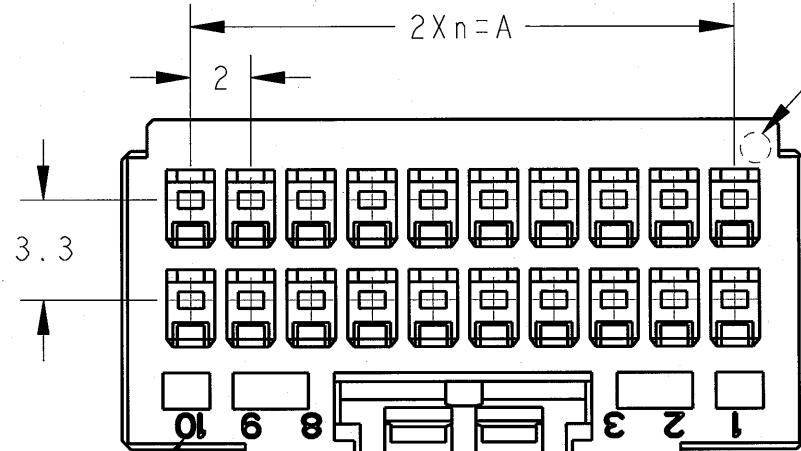
LOC	DIST
J	-

REVISIONS

P	LTR	DESCRIPTION	DATE	DWN	APVD
	B	REVISED	18JUN2009	R.K	N.Y
	C	REVISED	06JAN2010	R.K	N.Y



SCALE 1:1



CAVITY MARK (ALPHABET: CAPITAL LETTER)

1. 材料: ガラス入り熱可塑性ポリエステル樹脂(94V-0), 色: 黒以外

2. 文字の形状、大きさ、および位置については、大略を示すものであり、詳細を示すものではありません。

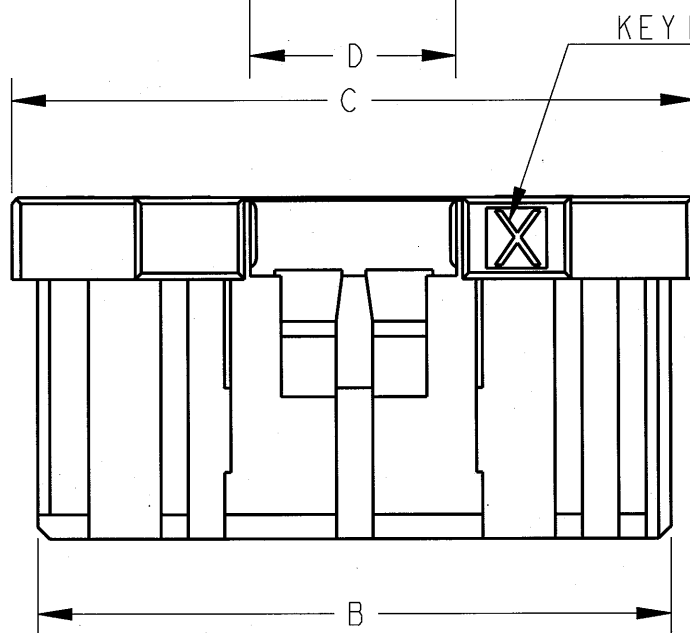
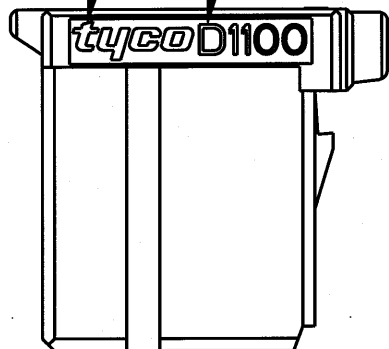
1. MATERIAL: GLASS FILLED THERMO PLASTIC POLYESTER(94V-0) COLOR: EXCLUDING BLACK

2. THE SHAPE, SIZE AND POSITION OF THE CHARACTER SHOW THE OUTLINE. THEY DON'T SHOW DETAILS.

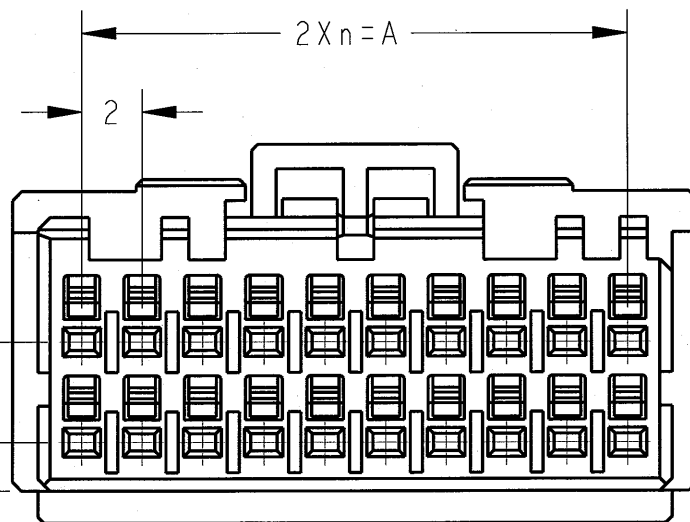
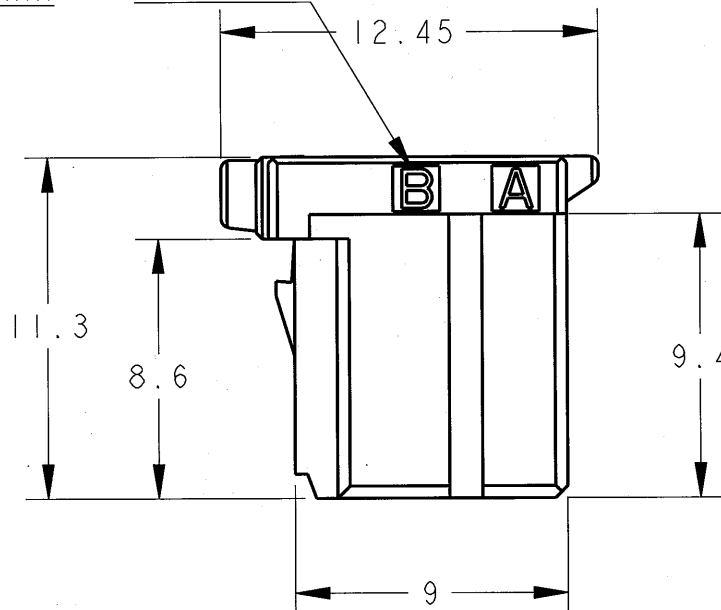
CIRCUIT NO

LOGO MARK

SERIES CODE



ROW ID



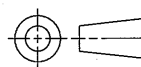
20POS(X-KEY) : *-2040555-0

18	X	8	16.0	18.9	20.6	8.1	YELLOW	3-2040555-9
18	X	8	16.0	18.9	20.6	8.1	NATURAL	1-2040555-9
20	X	9	18.0	20.9	22.6	6.8	RED	5-2040555-0
20	X	9	18.0	20.9	22.6	6.8	YELLOW	3-2040555-0
20	X	9	18.0	20.9	22.6	6.8	NATURAL	1-2040555-0
POS	KEY	n	A	B	C	D	COLOR	PART NO

THIS DRAWING IS A CONTROLLED DOCUMENT FOR TYCO ELECTRONICS CORPORATION IT IS SUBJECT TO CHANGE AND THE CONTROLLING ENGINEERING ORGANIZATION SHOULD BE CONTACTED FOR THE LATEST REVISION.

DIMENSIONS: 単位: 耗 mm

TOLERANCES UNLESS OTHERWISE SPECIFIED: 一般公差 ±0.3, ±5°



MATERIAL 材料



FINISH 仕上

DWN 15JUL2008

M. MAEBASHI

CHK 15JUL2008

T. KUDO

APVD 15JUL2008

S. MANABE

PRODUCT SPEC 製品規格

108-78268, 78298

APPLICATION SPEC 取付適用規格

114-5377

WEIGHT

-

CUSTOMER DRAWING



Tyco Electronics Corporation
Kawasaki, Japan

NAME 名称
DYNAMIC D1100D 2.0mmPITCH
REC HSG COLOR
4-20POS

SIZE	CAGE CODE	DRAWING NO 番号	RESTRICTED TO
A3	00779	C=2040555	-

SCALE 尺度 4:1 SHEET 1 OF 2 REV C

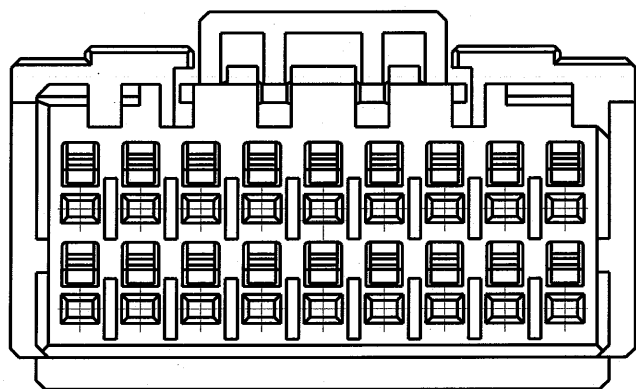
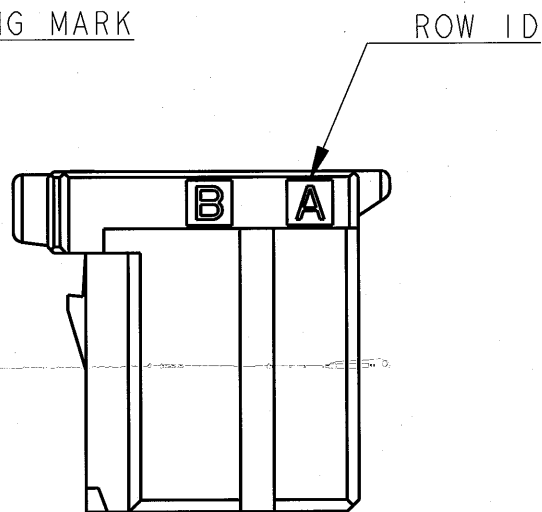
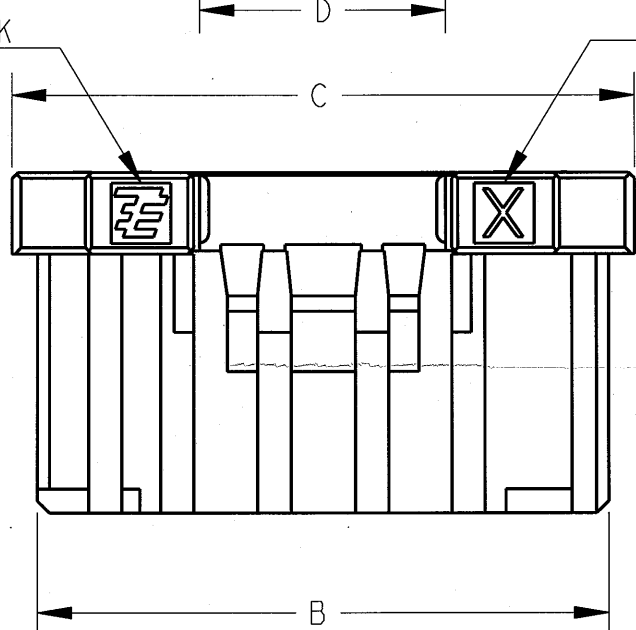
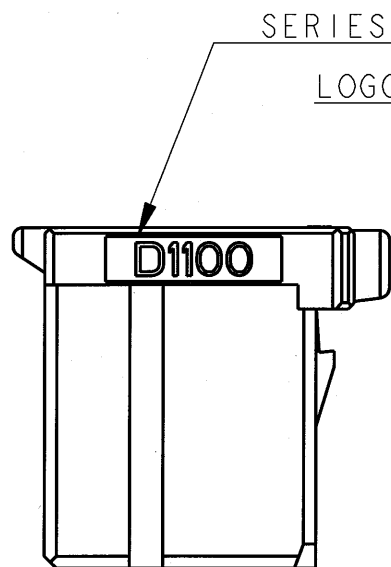
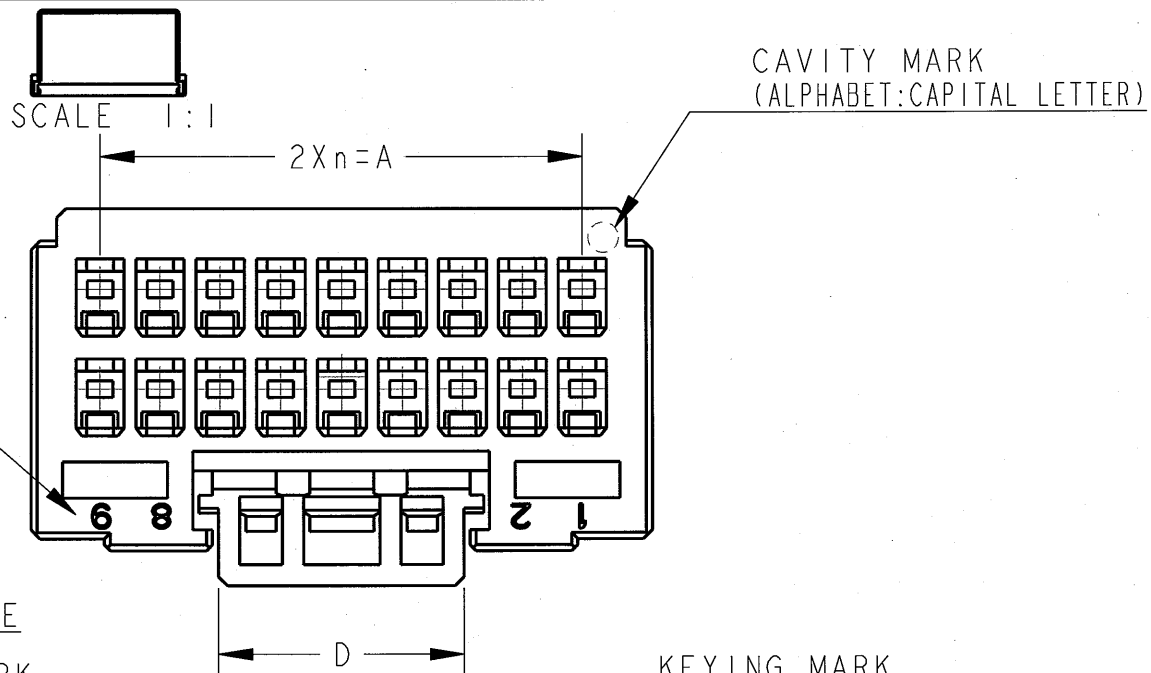
THIS DRAWING IS UNPUBLISHED.

RELEASED FOR PUBLICATION

20

© COPYRIGHT 20 BY TYCO ELECTRONICS CORPORATION. ALL RIGHTS RESERVED.

LOC	DIST	REVISIONS					
J	-	P	LTR	DESCRIPTION	DATE	DWN	APVD
				SEE SHEET 1 OF 2			



18POS(X-KEY) : *-2040555-9

THIS DRAWING IS A CONTROLLED DOCUMENT FOR TYCO ELECTRONICS CORPORATION IT IS SUBJECT TO CHANGE AND THE CONTROLLING ENGINEERING ORGANIZATION SHOULD BE CONTACTED FOR THE LATEST REVISION.

DIMENSIONS: mm	TOLERANCES UNLESS OTHERWISE SPECIFIED:
	0 PLC ±
	1 PLC ±
	2 PLC ±
	3 PLC ±
	4 PLC ±
	ANGLES ±
MATERIAL	FINISH

SEE SHEET 1 OF 2

DWN	SEE SHEET 1
CHK	SEE SHEET 1
APVD	SEE SHEET 1
PRODUCT SPEC	-
APPLICATION SPEC	-
WEIGHT	-

Tyco Electronics Corporation Kawasaki, Japan	
NAME DYNAMIC D1100D 2.0mmPITCH REC HSG COLOR 4-20POS	
SIZE	CAGE CODE
A3	00779
DRAWING NO	RESTRICTED TO
C-2040555	-