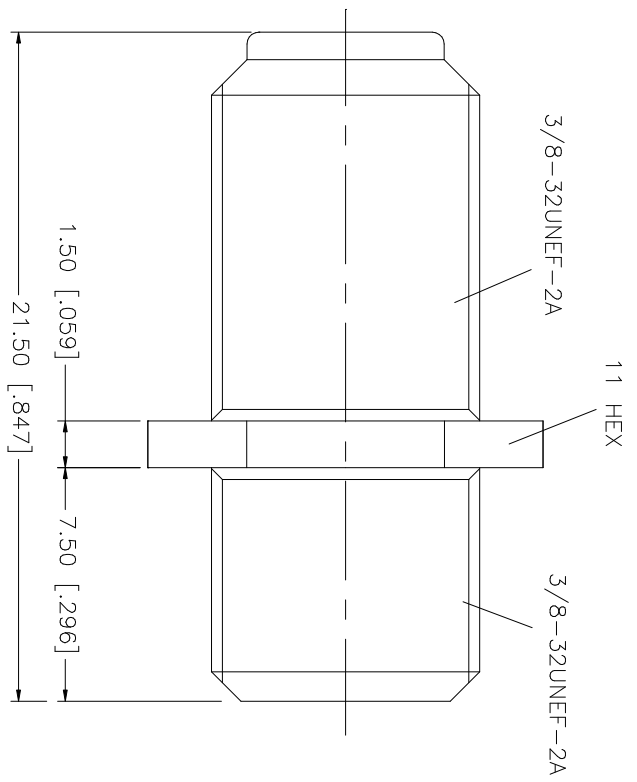
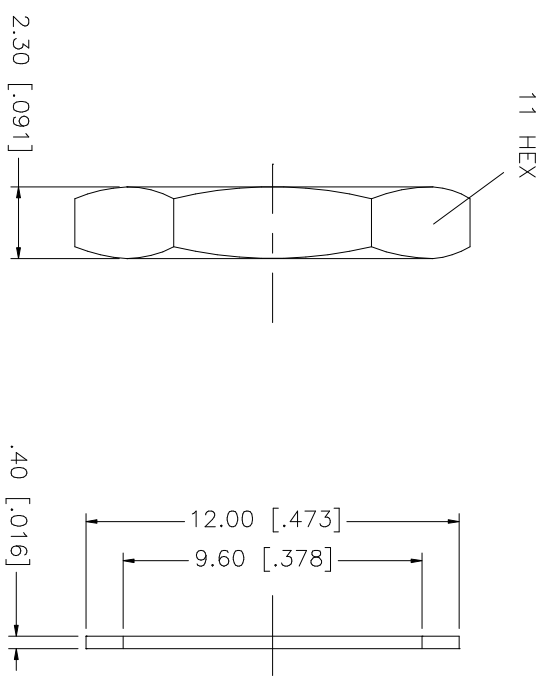


REV.	DATE	DESCRIPTION
A	04/27/99	CHANGE PLATING SPEC. / UPDATE DWG.
B	05/01/04	UPDATE DRAWING FORMAT
C	02/21/06	MODIFY BODY DIMENSIONS



8																															
7																															
6																															
5	HEX NUT	BRASS	NICKEL	1																											
4	WASHER	BRASS	NICKEL	1																											
3	CONTACT PIN	BRASS	BRIGHT TIN	1																											
2	INSULATOR	P.P.	NATURAL	1																											
1	BODY	DIECAST	NICKEL	1																											
DESCRIPTION		MATERIAL		FINISH		QTY		DO NOT SCALE DRAWING		CAD FILE		APPROVALS		DATE		DWG. NO.		REV.		SCALE											
UNLESS OTHERWISE SPECIFIED DIMENSIONS ARE IN MILLIMETERS DIMENSIONS IN [] ARE IN INCHES AND FOR CUSTOMER REFERENCE ONLY. TOLERANCES FOR MILLIMETERS ARE: 0.5 - 8mm ± 0.20mm 8 - 30mm ± 0.40mm 30 - 120mm ± 0.50mm UNLESS OTHERWISE SPECIFIED TOLERANCES FOR INCHES ARE: .020 - .315 = ± 0.007" .315 - 1.180 = ± 0.015" 1.180 - 4.724 = ± 0.020"										DRAWN G.R.S.		02/21/06		CHECKED		ISSUED		SHEET 1 OF 1		PART DESCRIPTION F CONNECTOR		222121		222121.DWG		C		A		NA	
Amphenol Connex																															