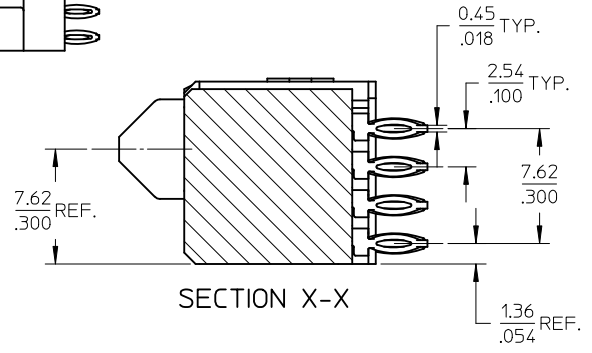
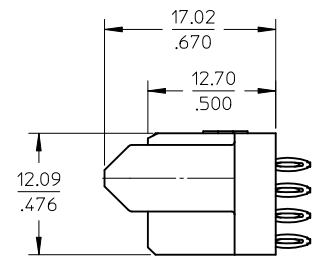
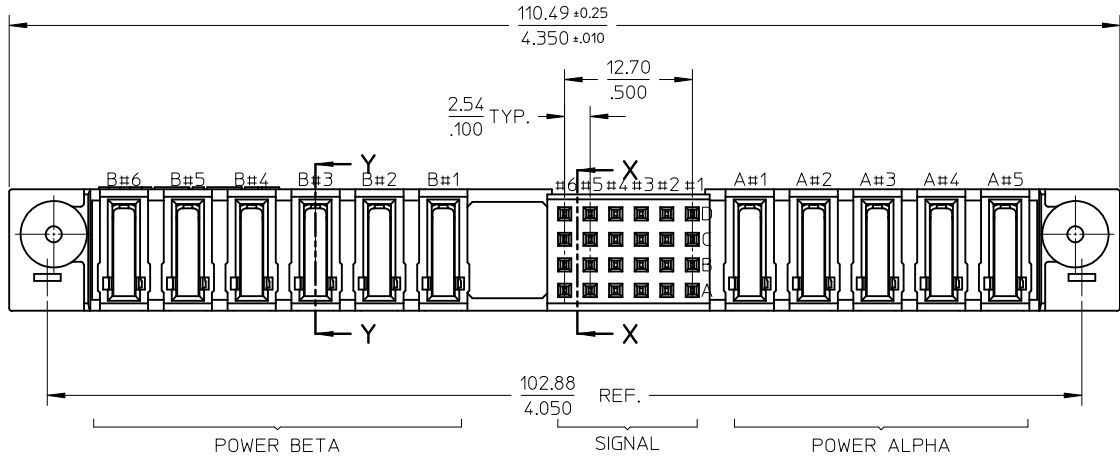
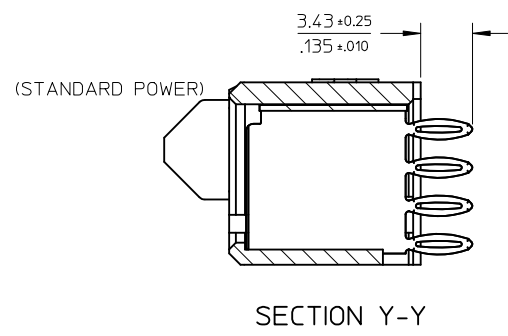


ISOMETRIC VIEW

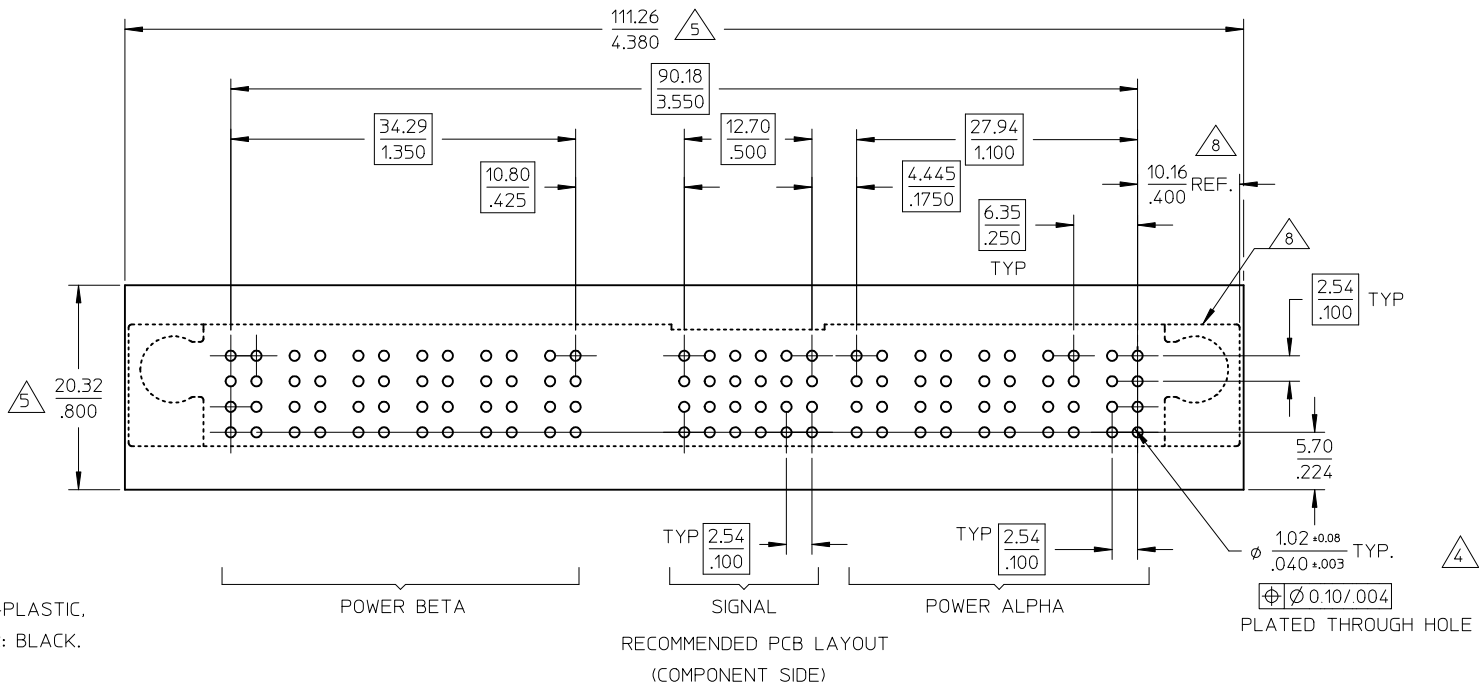


SECTION X-X



SECTION Y-Y

OBS TIN/LEAD P/N EC NO: S2011-0260 DRWN:SKANG 2010/10/05 CH'KD:ATSEE 2010/11/29 APPR:MLONG 2010/12/01	QUALITY SYMBOLS	GENERAL TOLERANCES (UNLESS SPECIFIED)		DIMENSION STYLE	SCALE	DESIGN UNITS	THIRD ANGLE PROJECTION														
	$\nabla_A = 0$ $\nabla_B = 0$ $\nabla_C = 0$	<table border="1"> <thead> <tr> <th></th> <th>mm</th> <th>INCH</th> </tr> </thead> <tbody> <tr> <td>4 PLACES</td> <td>± ---</td> <td>± ---</td> </tr> <tr> <td>3 PLACES</td> <td>± ---</td> <td>± ---</td> </tr> <tr> <td>2 PLACES</td> <td>± 0.13</td> <td>± ---</td> </tr> <tr> <td>1 PLACE</td> <td>± 0.25</td> <td>± ---</td> </tr> </tbody> </table>		mm	INCH	4 PLACES		± ---	± ---	3 PLACES	± ---	± ---	2 PLACES	± 0.13	± ---	1 PLACE	± 0.25	± ---	MM/IN	NTS	METRIC
		mm	INCH																		
	4 PLACES	± ---	± ---																		
3 PLACES	± ---	± ---																			
2 PLACES	± 0.13	± ---																			
1 PLACE	± 0.25	± ---																			
DRAFT WHERE APPLICABLE MUST REMAIN WITHIN DIMENSIONS	<table border="1"> <thead> <tr> <th>DRAWN BY</th> <th>DATE</th> <th>TITLE</th> </tr> </thead> <tbody> <tr> <td>KMGOH</td> <td>2002/10/04</td> <td rowspan="2">MPS CONNECTOR, RECT P(B)-S-P(A) CONFIG, VERTICAL PRESS-FIT</td> </tr> <tr> <td>PTLIM</td> <td>2002/11/25</td> </tr> <tr> <td>APPROVED BY</td> <th>DATE</th> <td rowspan="2">MOLEX MOLEX INCORPORATED</td> </tr> <tr> <td>SKTOH</td> <td>2002/11/26</td> </tr> </tbody> </table>	DRAWN BY	DATE	TITLE	KMGOH	2002/10/04	MPS CONNECTOR, RECT P(B)-S-P(A) CONFIG, VERTICAL PRESS-FIT	PTLIM	2002/11/25	APPROVED BY	DATE	MOLEX MOLEX INCORPORATED	SKTOH	2002/11/26	MATERIAL NO.	DOCUMENT NO.	SHEET NO.				
DRAWN BY	DATE	TITLE																			
KMGOH	2002/10/04	MPS CONNECTOR, RECT P(B)-S-P(A) CONFIG, VERTICAL PRESS-FIT																			
PTLIM	2002/11/25																				
APPROVED BY	DATE	MOLEX MOLEX INCORPORATED																			
SKTOH	2002/11/26																				
REV	DESCRIPTION	SIZE	THIS DRAWING CONTAINS INFORMATION THAT IS PROPRIETARY TO MOLEX INCORPORATED AND SHOULD NOT BE USED WITHOUT WRITTEN PERMISSION																		



CONNECTOR - NOTES

1. MATERIALS :

- HOUSING - HIGH TEMPERATURE THERMO-PLASTIC, GLASS FILLED, UL94-0,COLOR: BLACK.
- POWER PIN - COPPER ALLOY
- BOARD-LOCK - COPPER ALLOY

2. PLATING :

- POWER CONTACTS
- 0.76 MICROMETER MINIMUM GOLD (Au) AT CONTACT AREA AND 2.54 MICROMETER MINIMUM TIN AT SOLDER TAIL AREA
- OVER 1.27um MIN. NICKEL (Ni) UNDERPLATE.

3. PRODUCT SPECIFICATION: PS-87665-006.

4. PCB NOTE FOR DIAMETER 1.02/.040 PLATED HOLE.

- DRILLED HOLE SIZE IS 1.151/.0453
- PLATE WITH 0.007/.0003 MINIMUM TIN OVER 0.03/.001 TO 0.08/.003 COPPER PLATING TO ACHIEVE 1.02±0.08/.040±.003 HOLE.
- SEE SHEET 2 FOR RECOMMENDED PCB LAYOUT.

5. COMPONENT STAY AWAY ZONE FROM CONNECTOR.

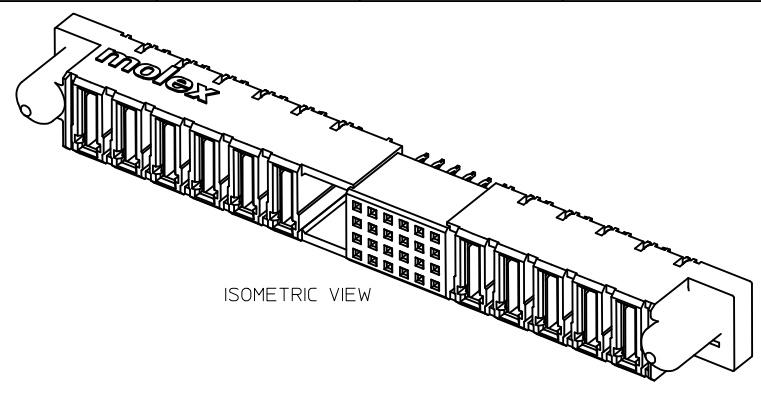
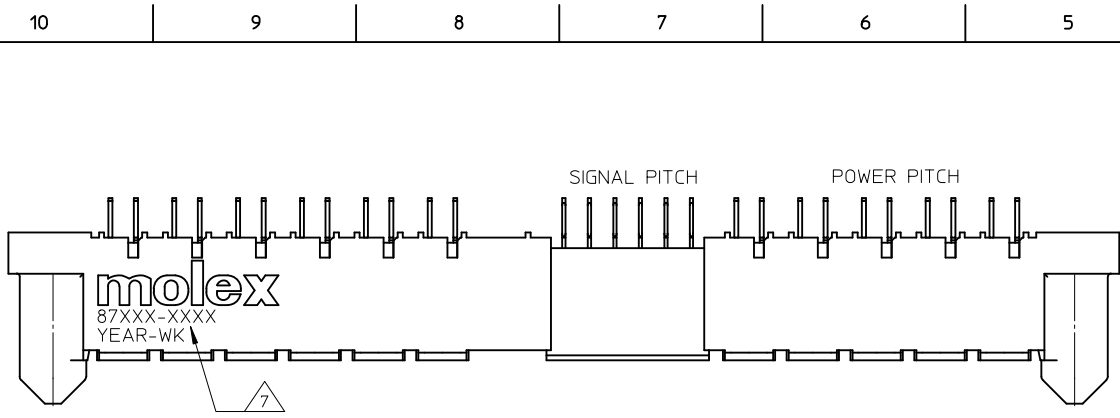
6. 6P(B)-24S-5P(A) CONFIGURATION IS SHOWN FOR ILLUSTRATION ONLY.

7. MANUFACTURER LOGO,PART NUMBER AND YEAR-WEEK CODE.

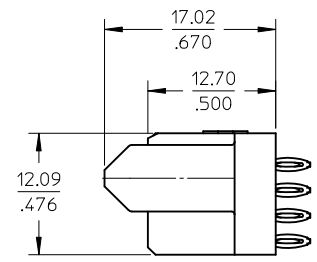
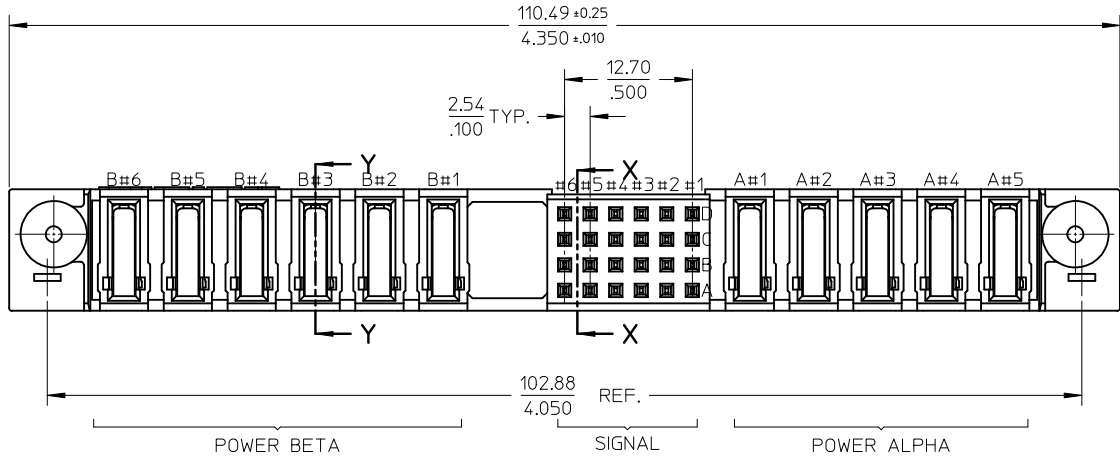
8. IMAGINARY LINE & DIMENSION TO POSITION AND PROVIDE CONNECTOR ORIENTATION W.R.T. TO PCB LAYOUT.

9. CONNECTORS ARE PACKED IN TRAY.

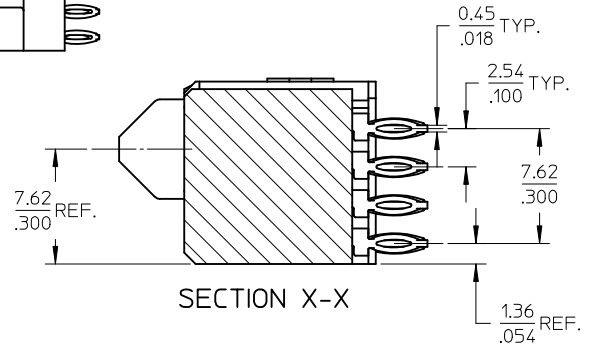
OBS TIN/LEAD P/N EC NO: S2011-0260 DRWN:SKANG 2010/10/05 CHKD:ATSEE 2010/11/29 APPR:MLONG 2010/12/01	QUALITY SYMBOLS	GENERAL TOLERANCES (UNLESS SPECIFIED)		DIMENSION STYLE		SCALE	DESIGN UNITS	THIRD ANGLE PROJECTION	
	$\nabla F = 0$	mm	INCH	MM/IN		NTS	METRIC		
	$\nabla F = 0$	4 PLACES ± ---	± ---	DRAWN BY	DATE	TITLE			
	$\nabla F = 0$	3 PLACES ± ---	± ---	CHECKED BY	DATE	MPS CONNECTOR, RECT P(B)-S-P(A) CONFIG, VERTICAL PRESS-FIT			
	2 PLACES ± 0.13	± ---	APPROVED BY	DATE	MOLEX INCORPORATED				
	1 PLACE ± 0.25	± ---	SKTOH	2002/11/26	DOCUMENT NO.				
	ANGULAR ± 3 °	DRAFT WHERE APPLICABLE MUST REMAIN WITHIN DIMENSIONS		MATERIAL NO.		DOCUMENT NO.		SHEET NO.	
				87665-1001		SD-87665-011		2 OF 2	
				THIS DRAWING CONTAINS INFORMATION THAT IS PROPRIETARY TO MOLEX INCORPORATED AND SHOULD NOT BE USED WITHOUT WRITTEN PERMISSION					



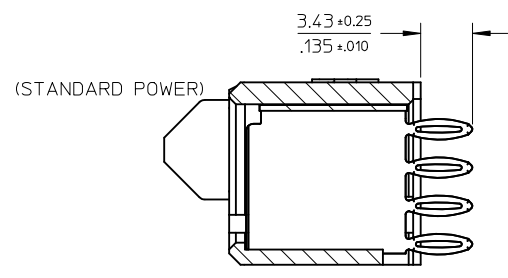
ISOMETRIC VIEW



12.09  
.476

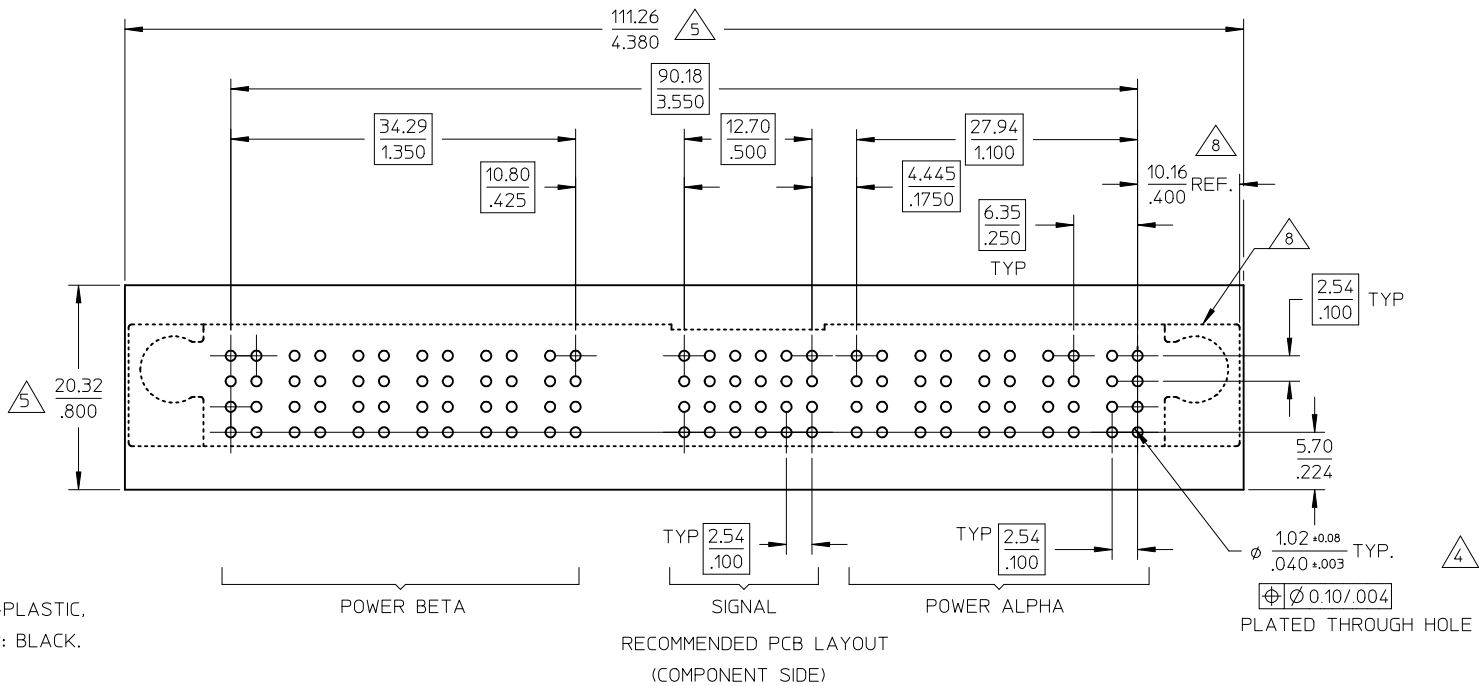


SECTION X-X



SECTION Y-Y

OBS TIN/LEAD P/N EC NO: S2011-0260 DRWN:SKANG 2010/10/05 CHKD:ATSEE 2010/11/29 APPR:MLONG 2010/12/01	QUALITY SYMBOLS $F_A=0$ $F_B=0$ $F_C=0$	GENERAL TOLERANCES (UNLESS SPECIFIED)		DIMENSION STYLE	SCALE	DESIGN UNITS	THIRD ANGLE PROJECTION
				MM/IN	NTS	METRIC	
				DRAWN BY	DATE	TITLE	
				CHECKED BY	DATE		
		4 PLACES	± --- ± ---	KMGOH	2002/10/04	MPS CONNECTOR, RECT P(B)-S-P(A) CONFIG, VERTICAL PRESS-FIT	
		3 PLACES	± --- ± ---	PTLIM	2002/11/25	MOLEX INCORPORATED	
		2 PLACES	± 0.13 ± ---	APPROVED BY	DATE		
		1 PLACE	± 0.25 ± ---	SKTOH	2002/11/26		
		ANGULAR ± 3 °		MATERIAL NO.	DOCUMENT NO.		
		DRAFT WHERE APPLICABLE MUST REMAIN WITHIN DIMENSIONS		87665-1001	SD-87665-011		
		SIZE	THIS DRAWING CONTAINS INFORMATION THAT IS PROPRIETARY TO MOLEX INCORPORATED AND SHOULD NOT BE USED WITHOUT WRITTEN PERMISSION				
		A3					
						SHEET NO. 1 OF 2	



CONNECTOR - NOTES

1. MATERIALS :

- HOUSING - HIGH TEMPERATURE THERMO-PLASTIC, GLASS FILLED, UL94-0,COLOR: BLACK.
- POWER PIN - COPPER ALLOY
- BOARD-LOCK - COPPER ALLOY

2. PLATING :

- POWER CONTACTS
- 0.76 MICROMETER MINIMUM GOLD (Au) AT CONTACT AREA AND 2.54 MICROMETER MINIMUM TIN AT SOLDER TAIL AREA
- OVER 1.27um MIN. NICKEL (Ni) UNDERPLATE.

3. PRODUCT SPECIFICATION: PS-87665-006.

4. PCB NOTE FOR DIAMETER 1.02/0.40 PLATED HOLE.

- DRILLED HOLE SIZE IS 1.151/0.453
- PLATE WITH 0.007/0.003 MINIMUM TIN OVER 0.03/0.01 TO 0.08/0.03 COPPER PLATING TO ACHIEVE 1.02±0.08/0.40±0.03 HOLE.
- SEE SHEET 2 FOR RECOMMENDED PCB LAYOUT.

5. COMPONENT STAY AWAY ZONE FROM CONNECTOR.

6. 6P(B)-24S-5P(A) CONFIGURATION IS SHOWN FOR ILLUSTRATION ONLY.

7. MANUFACTURER LOGO,PART NUMBER AND YEAR-WEEK CODE.

8. IMAGINARY LINE & DIMENSION TO POSITION AND PROVIDE CONNECTOR ORIENTATION W.R.T. TO PCB LAYOUT.

9. CONNECTORS ARE PACKED IN TRAY.

OBS TIN/LEAD P/N	EC NO: S2011-0260	2010/10/05
	DRWN:SKANG	2010/11/29
	CHKD:ATSEE	2010/11/29
	APPR:MLONG	2010/12/01

REV	DESCRIPTION
F	QUALITY SYMBOLS
E	QUALITY SYMBOLS
D	QUALITY SYMBOLS

GENERAL TOLERANCES (UNLESS SPECIFIED)	
	mm INCH
4 PLACES	± --- ± ---
3 PLACES	± --- ± ---
2 PLACES	± 0.13 ± ---
1 PLACE	± 0.25 ± ---
ANGULAR ± 3 °	
DRAFT WHERE APPLICABLE MUST REMAIN WITHIN DIMENSIONS	

DIMENSION STYLE	
MM/IN	
DRAWN BY	DATE
KMGOH	2002/10/04
CHECKED BY	DATE
PTLIM	2002/11/25
APPROVED BY	DATE
SKTOH	2002/11/26
MATERIAL NO.	DOCUMENT NO.
87665-1001	SD-87665-011

SCALE	DESIGN UNITS	THIRD ANGLE PROJECTION
NTS	METRIC	
TITLE		
MPS CONNECTOR, RECT P(B)-S-P(A) CONFIG, VERTICAL PRESS-FIT		
MOLEX INCORPORATED		
MATERIAL NO.		SHEET NO.
87665-1001		2 OF 2
THIS DRAWING CONTAINS INFORMATION THAT IS PROPRIETARY TO MOLEX INCORPORATED AND SHOULD NOT BE USED WITHOUT WRITTEN PERMISSION		