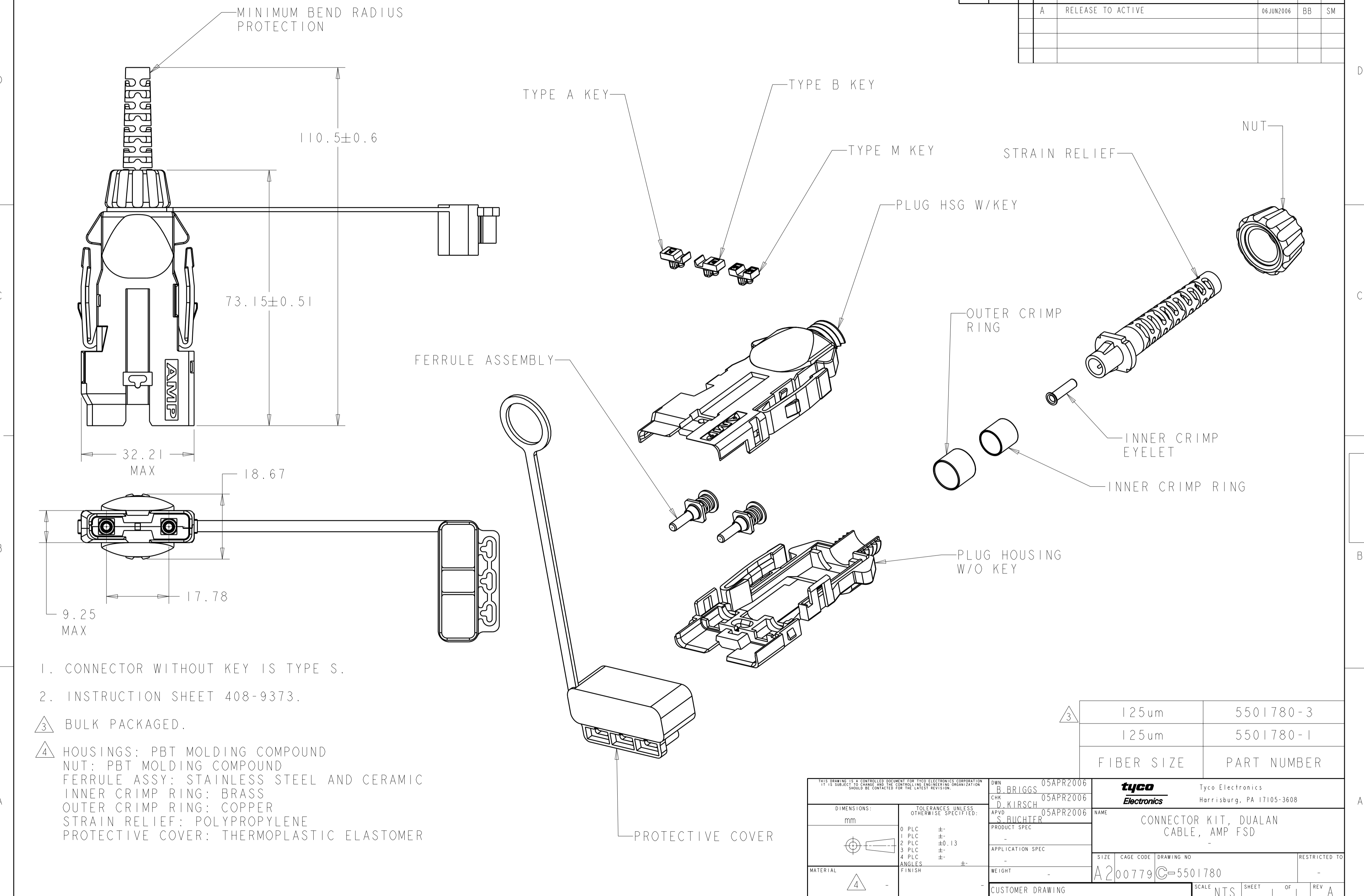


LOC	DIST	REVISIONS			
P	LTR	DESCRIPTION	DATE	DWN	APVD
CE	00	A	RELEASE TO ACTIVE	06JUN2006	BB SM



- 1. CONNECTOR WITHOUT KEY IS TYPE S.
- 2. INSTRUCTION SHEET 408-9373.
- 3 BULK PACKAGED.
- 4 HOUSINGS: PBT MOLDING COMPOUND
 NUT: PBT MOLDING COMPOUND
 FERRULE ASSY: STAINLESS STEEL AND CERAMIC
 INNER CRIMP RING: BRASS
 OUTER CRIMP RING: COPPER
 STRAIN RELIEF: POLYPROPYLENE
 PROTECTIVE COVER: THERMOPLASTIC ELASTOMER

3	125um	5501780-3
	125um	5501780-1
	FIBER SIZE	PART NUMBER

THIS DRAWING IS A CONTROLLED DOCUMENT FOR TYCO ELECTRONICS CORPORATION IT IS SUBJECT TO CHANGE AND THE CONTROLLING ENGINEERING ORGANIZATION SHOULD BE CONTACTED FOR THE LATEST REVISION.		DWN B. BRIGGS 05APR2006	Tyco Electronics Harrisburg, PA 17105-3608
DIMENSIONS:		CHK D. KIRSCH 05APR2006	
TOLERANCES UNLESS OTHERWISE SPECIFIED:		APVD S. BUCHTER 05APR2006	
mm		PRODUCT SPEC	
0 PLC ± 1 PLC ± 2 PLC ±0.13 3 PLC ± 4 PLC ± ANGLES ± FINISH		APPLICATION SPEC	NAME CONNECTOR KIT, DUALAN CABLE, AMP FSD
MATERIAL		WEIGHT	SIZE CAGE CODE DRAWING NO RESTRICTED TO
4		CUSTOMER DRAWING	A200779C-5501780
		SCALE NTS	SHEET 1 OF 1 REV A