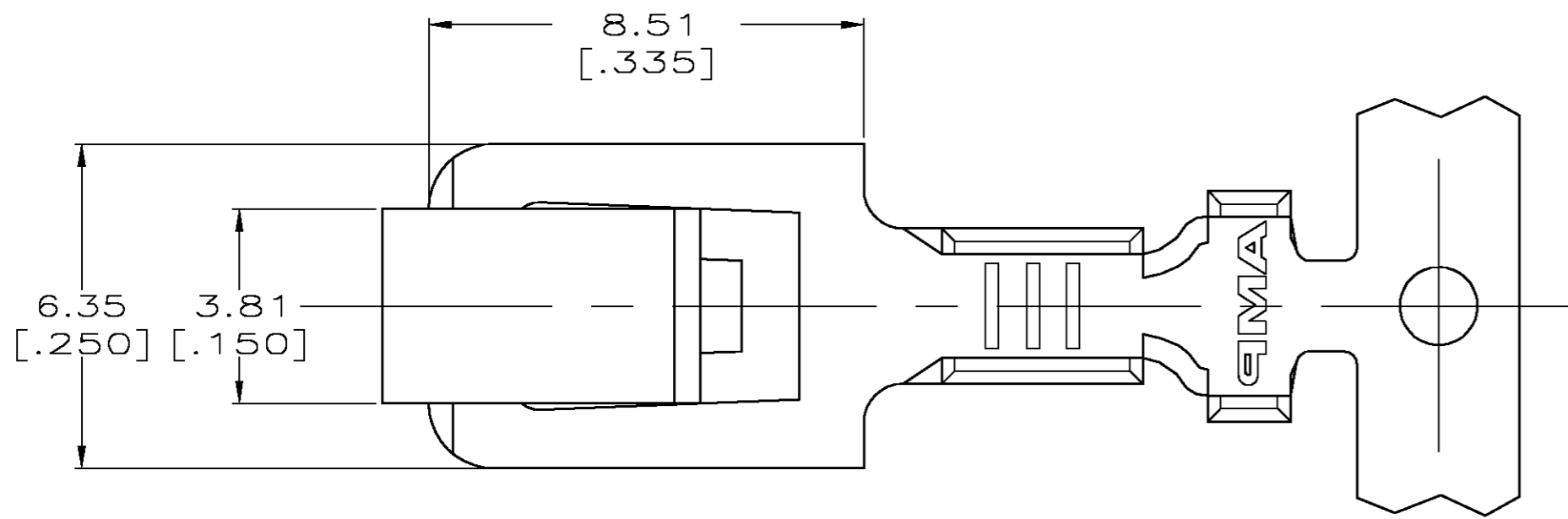
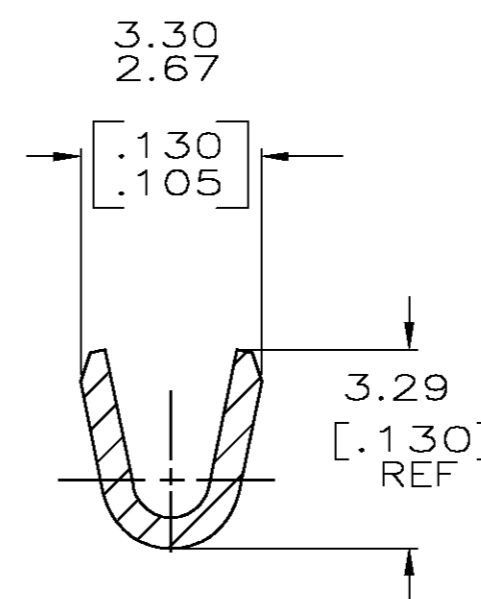
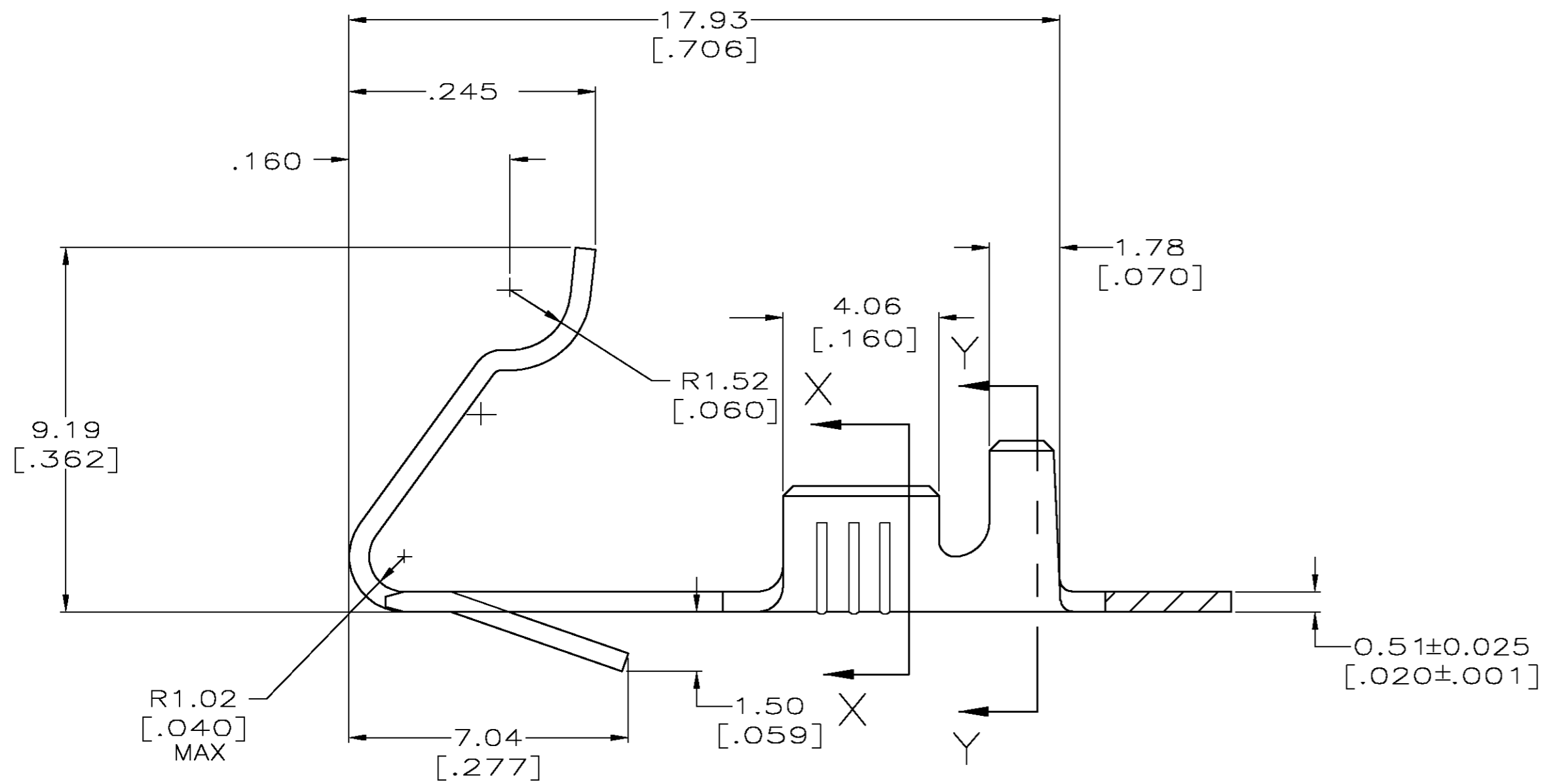


THIS DRAWING IS UNPUBLISHED. RELEASED FOR PUBLICATION  
 © COPYRIGHT BY TYCO ELECTRONICS CORPORATION. ALL RIGHTS RESERVED.

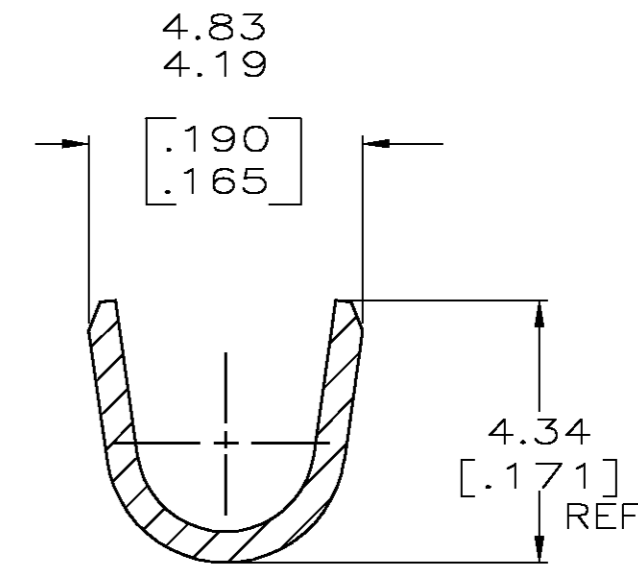
LOC		DIST		REVISIONS			
P	LTR	DESCRIPTION		DATE	DWN	APVD	
AF	50	C		REVISED PER 0G3A-0252-04	05APR04	MF DD	



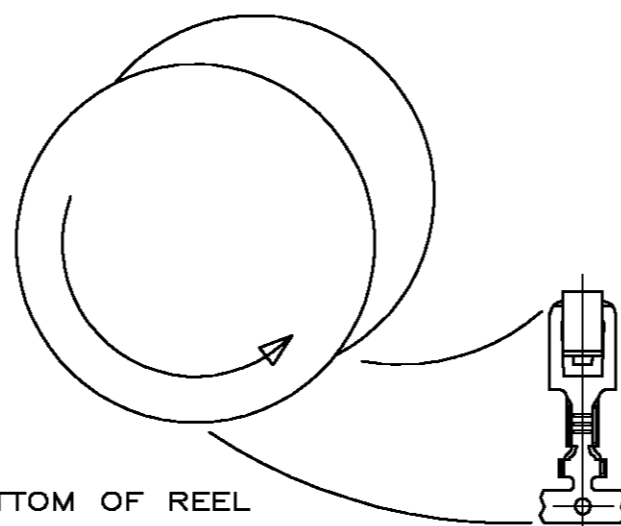
- 1 CONTINUOUS STRIP ON REELS
- 2 WIRE SIZE IS [#20-#16] AWG.
- 3 INSULATION RANGE IS 3.30 [.130] MAX
- ⚠ PRELIMINARY - NOT FOR PRODUCTION.



SECTION X-X



SECTION Y-Y



TERMINALS OFF BOTTOM OF REEL  
 FOR -2 ONLY

DETAIL D

THIS DRAWING IS A CONTROLLED DOCUMENT.		DWN MICHAEL S. FEHER 30APR2002	SEE DETAIL D		⚠ 1217825-2
DIMENSIONS: mm		CHK DONALD DECKER 30APR2002	STANDARD		1217825-1
TOLERANCES UNLESS OTHERWISE SPECIFIED: 0 PLC ± - 1 PLC ± - 2 PLC ± 0.25 [.010] 3 PLC ± - 4 PLC ± - ANGLES ± -		APVD DONALD DECKER 30APR2002	REELING		PART NUMBER
MATERIAL H04 BRASS		FINISH 0.002032 [.000080] MIN TIN PLATE	NAME FLUORESCENT TUBE SOCKET TERMINAL		
WEIGHT -		SCALE 8:1	CAGE CODE 00779	DRAWING NO C=1217825	RESTRICTED TO -
CUSTOMER DRAWING		SHEET 1 OF 1		REV C	

1217825

A