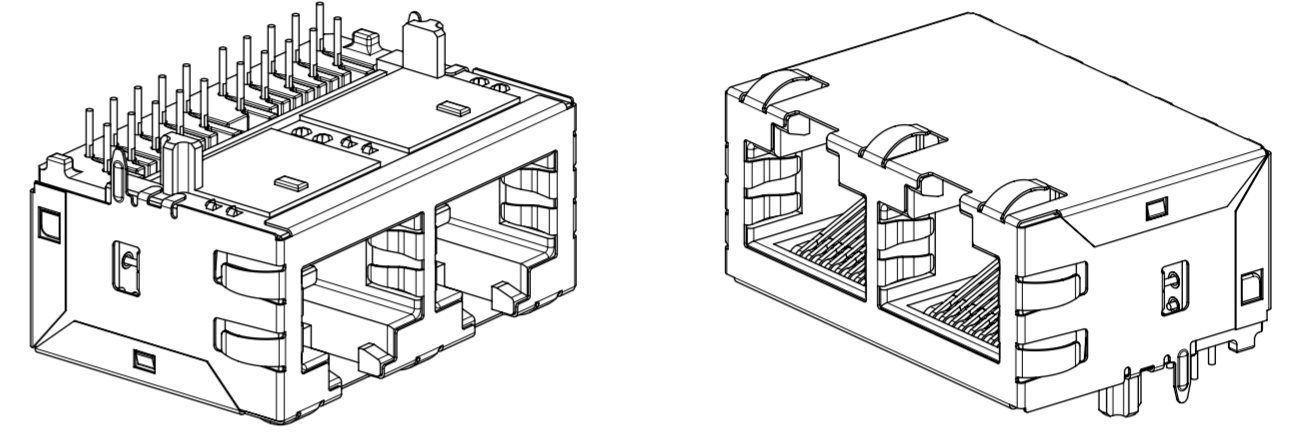
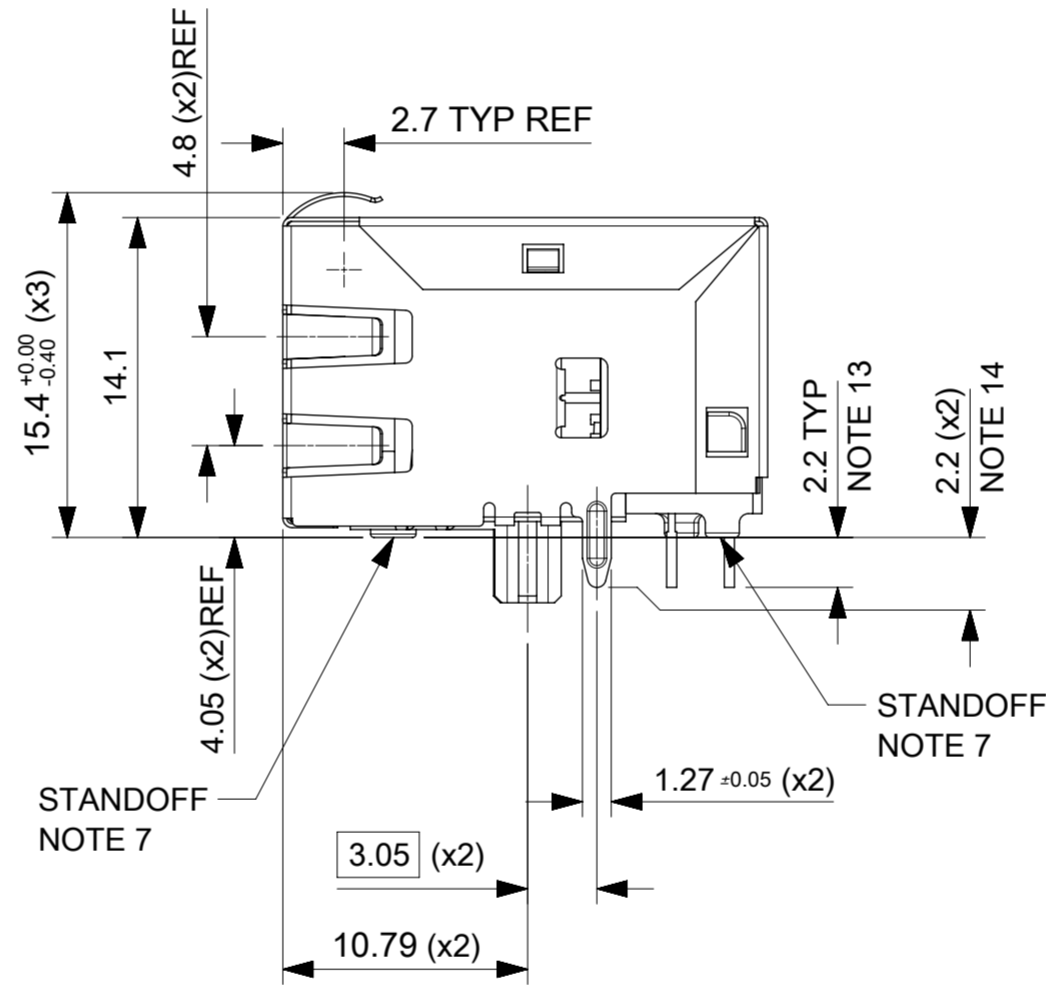
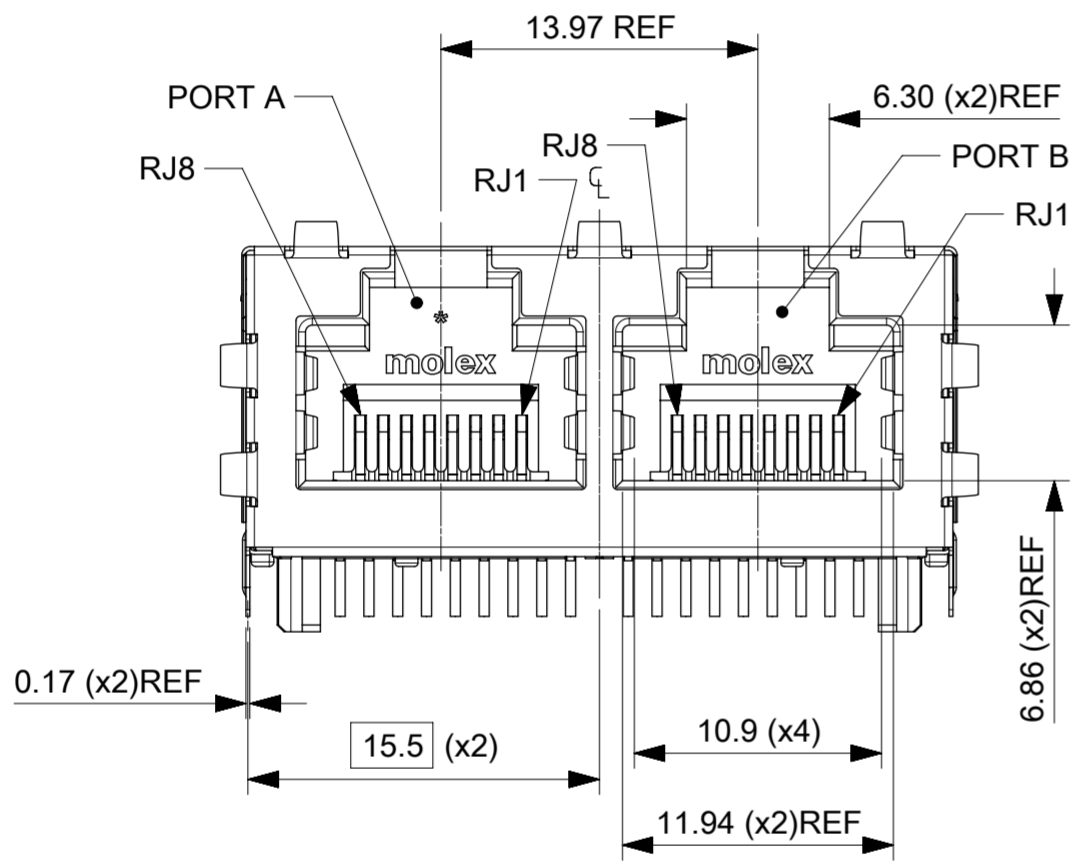


PART NUMBER 938388020

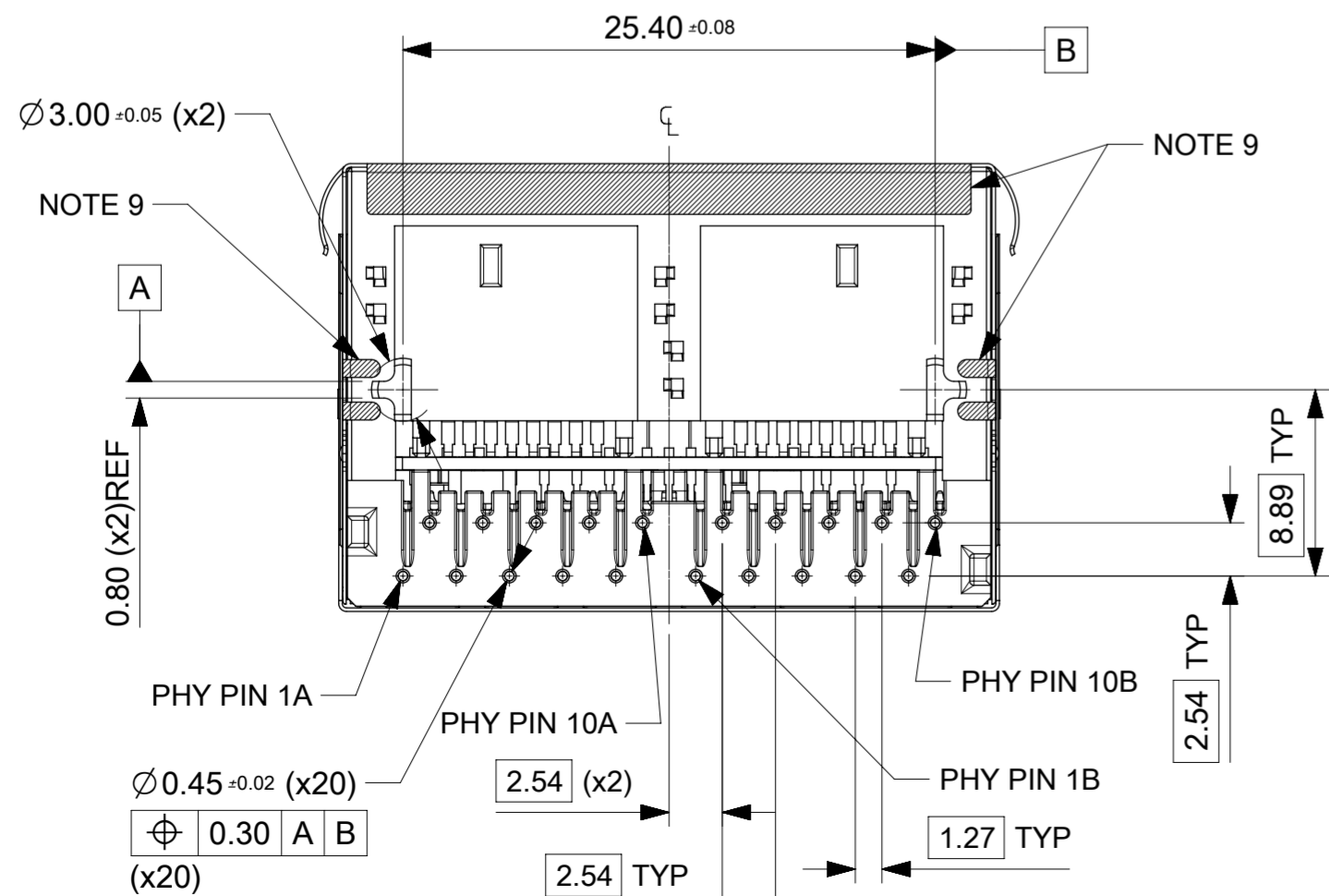


INVERTED PROFILE DUAL PORT MAGNETIC JACK
GIGABIT ETHERNET
WITH SHIELD TABS



NOTES:

- SHIELD MATERIAL: 0.17 mm THICK BRASS PRE-PLATED WITH NICKEL
SOLDER TABS POST DIPPED WITH MIN. 1.27 μm TIN
- HOUSING MATERIAL: LCP, BLACK, UL 94V-0
- TERMINALS MATERIAL: PHOSPHOR BRONZE
RJ45 CONTACTS PLATING: BASE NICKEL PLATED WITH GOLD
FLASH OVER PALLADIUM NICKEL. REFER TO 934620001 PSP
PHY SOLDER TAILS: COPPER ALLOY WITH TIN OVER NICKEL PLATING
- MATING INTERFACE ACCORDING TO IEC 60603-7 & TIA-1096-A
- PRODUCT SPECIFICATION: 934620001 PSP
- PACKAGING SPECIFICATION: 938240002 PSK TAPE & REEL
- STAND OFF TO SYSTEM BOARD 0.30 mm MIN
- RECOMMENDED PCB THICKNESS: 1.6 mm
- SHIELD: AVOID ROUTING TRACES
OR PLACING ANY VIAS BELOW THESE AREAS.
- INSCRIPTION MARKED BY LASER:
1st: MOLEX
2nd: PART NUMBER
- INSCRIPTION MARKED BY LASER:
DATE CODE (DAY/WEEK/YEAR)
- THIS AREA OF THE TOP FACE MAY BE USED FOR PICK AND PLACE
- PHY PIN LENGTH
- SHIELD SOLDER TAB LENGTH



THIS DRAWING CONTAINS INFORMATION THAT IS PROPRIETARY TO MOLEX ELECTRONIC TECHNOLOGIES, LLC AND SHOULD NOT BE USED WITHOUT WRITTEN PERMISSION

DIMENSION UNITS		SCALE	CURRENT REV DESC: ORIGINAL RELEASE		
mm		3:1			
GENERAL TOLERANCES (UNLESS SPECIFIED)					
ANGULAR TOL	±	2.0°	EC NO: 606029		
4 PLACES	±		DRWN: DSHEA	2018/10/16	
3 PLACES	±		CHK'D: DBYRNES	2018/11/05	
2 PLACES	±	0.1	APPR: DBYRNES	2018/11/05	
1 PLACE	±	0.2	INITIAL REVISION:		
0 PLACES	±		DRWN: DSHEA	2018/08/23	
			APPR: DBYRNES	2018/11/05	
DRAFT WHERE APPLICABLE MUST REMAIN WITHIN DIMENSIONS		THIRD ANGLE PROJECTION	DRAWING	SERIES	MATERIAL NUMBER
			A2-SIZE	93838	SEE CHART
DOCUMENT STATUS		RELEASE DATE	CUSTOMER	DOC TYPE	DOC PART
P1	2018/11/05	13:23:40	GENERAL MARKET	PSD	000
			SHEET NUMBER	REVISION	
			1 OF 3	A	

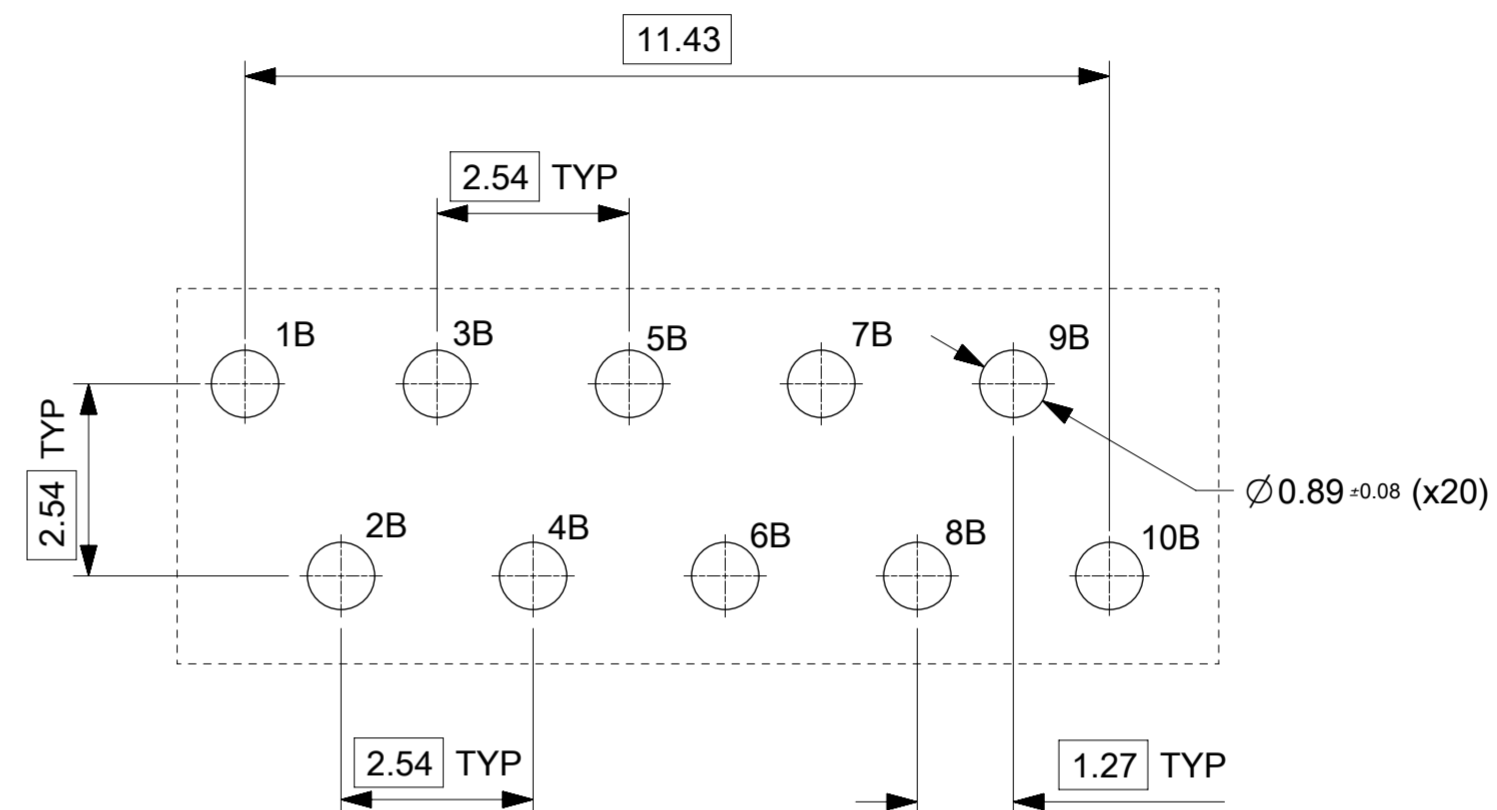
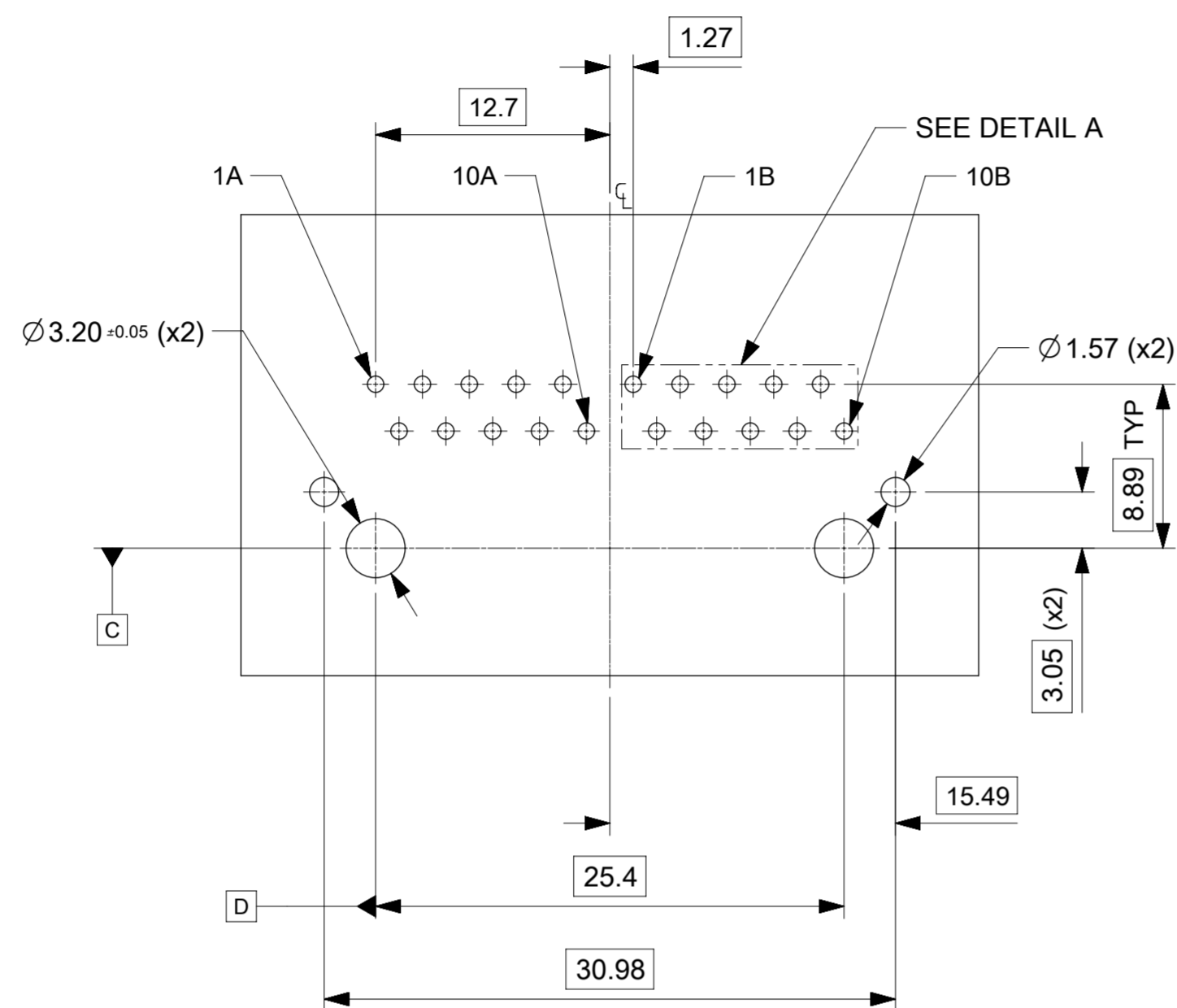
molex

MXMAG DUAL PORT 8C GIG INDUSTRIAL
W/O LED - REFLOW CAPABLE

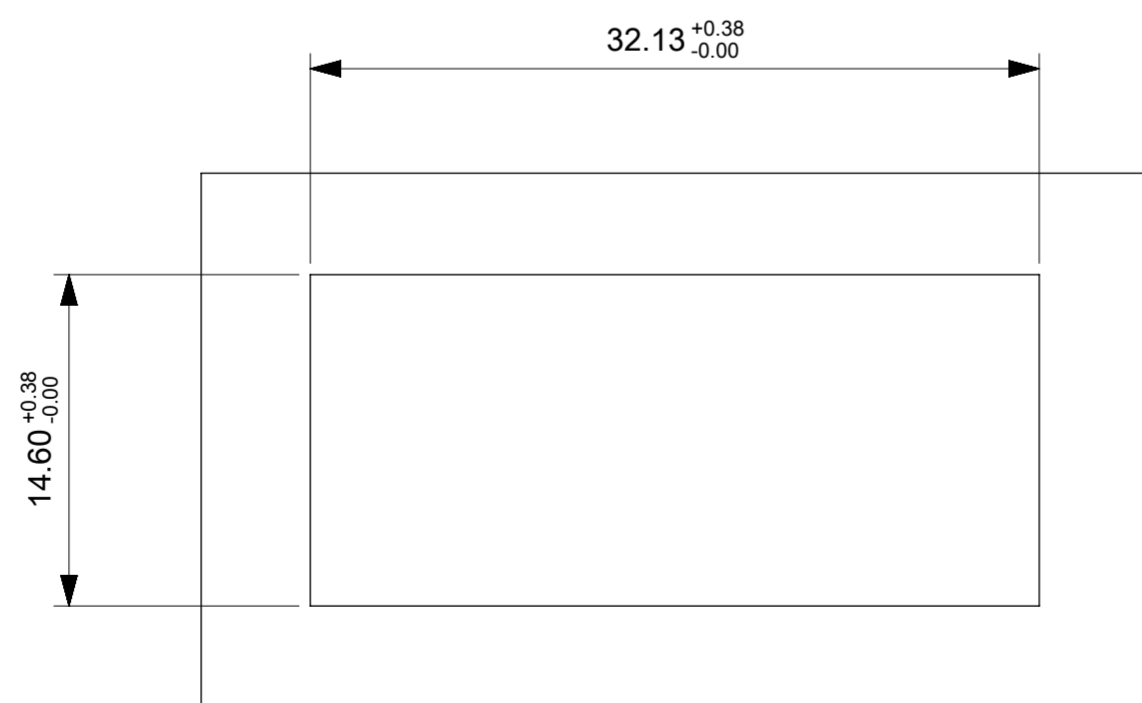
PRODUCT CUSTOMER DRAWING

DOCUMENT NUMBER: 938380002
DOC TYPE: PSD
DOC PART: 000
REVISION: A

RECOMMENDED PCB LAYOUT
GIG VERSION W/O LED
COMPONENT SIDE
ALL DIMENSIONS REF DIMENSIONS



DETAIL A
SCALE 10:1



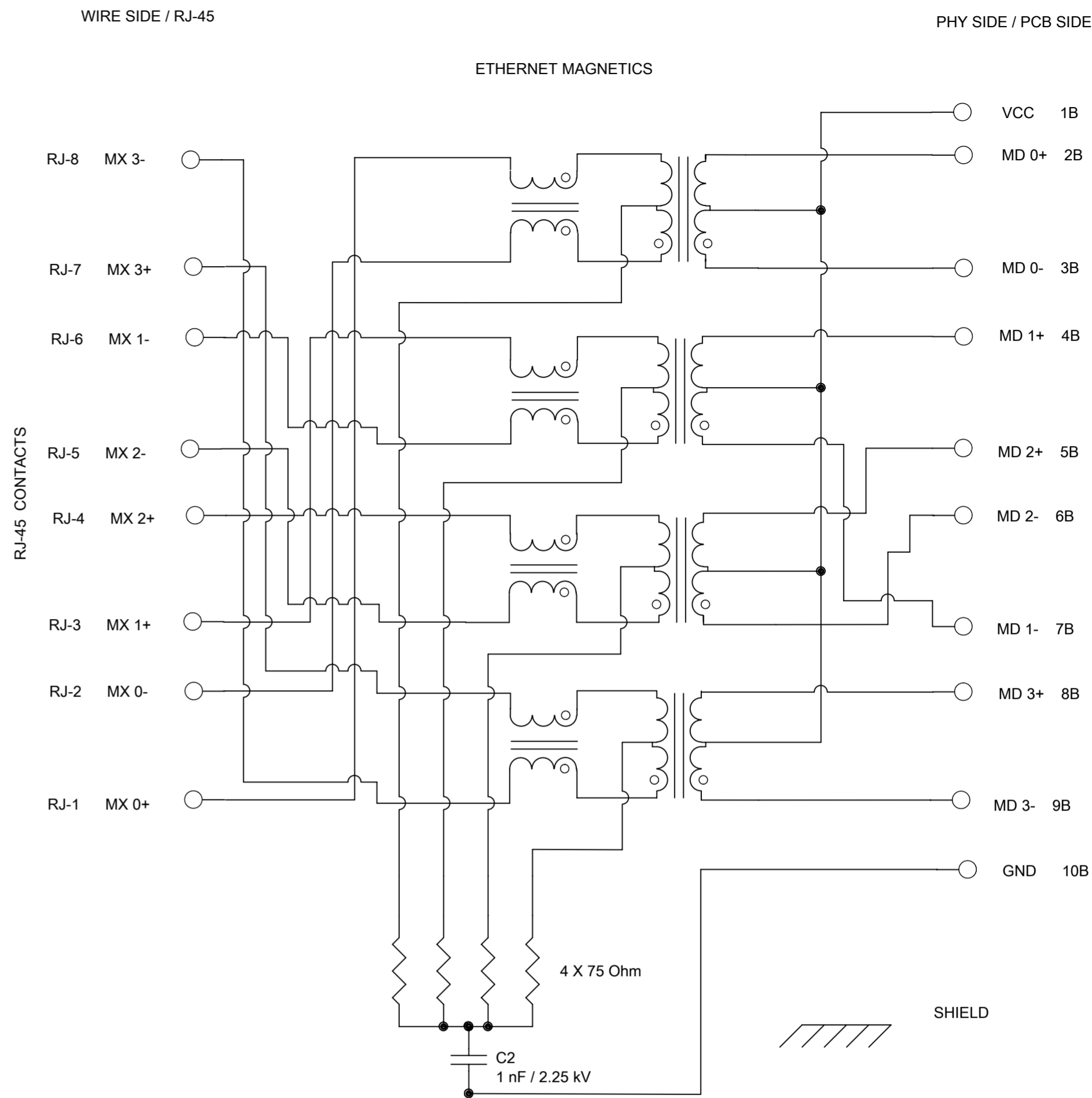
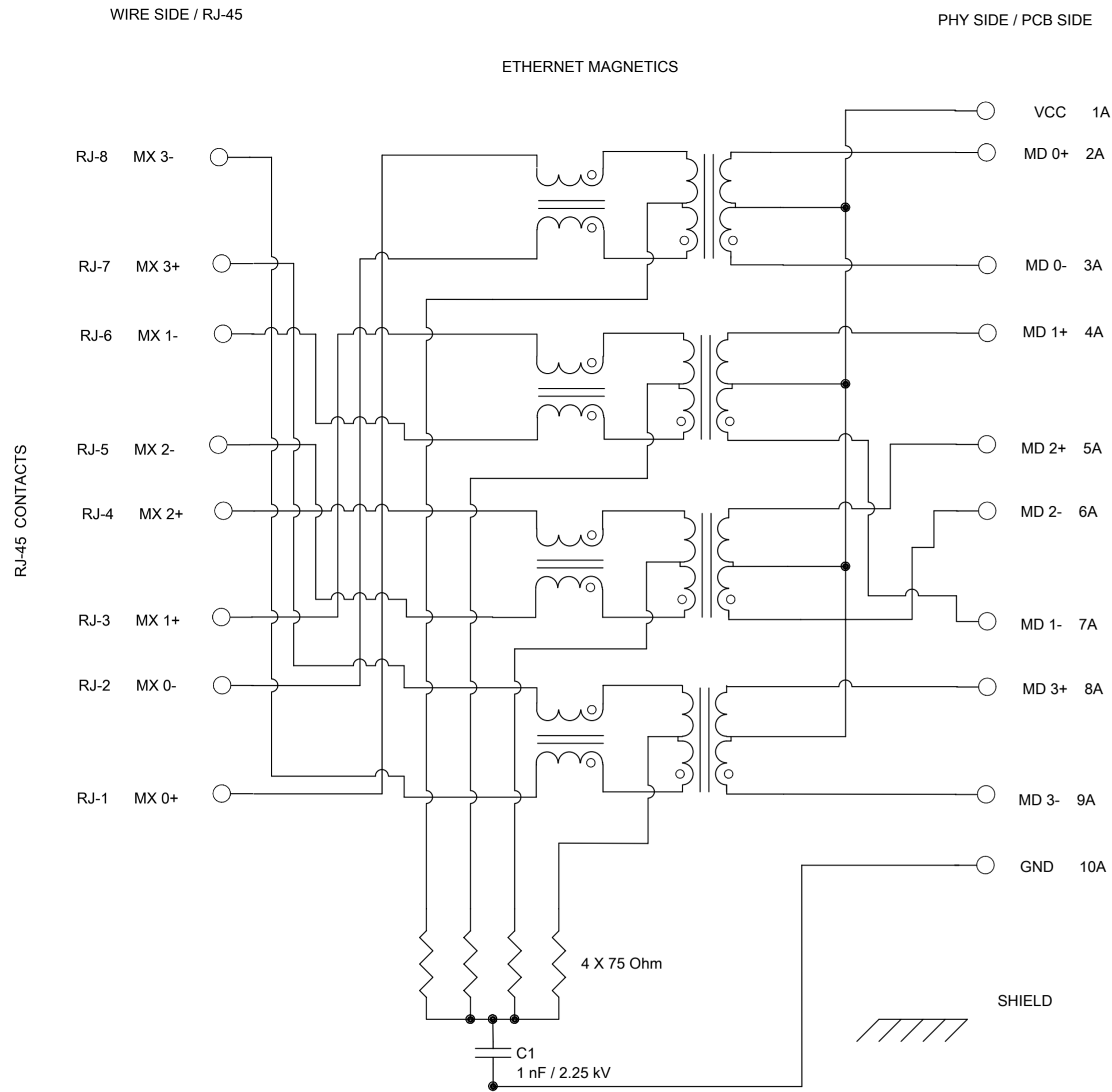
SUGGESTED PANEL CUTOUT

THIS DRAWING CONTAINS INFORMATION THAT IS PROPRIETARY TO MOLEX ELECTRONIC TECHNOLOGIES, LLC AND SHOULD NOT BE USED WITHOUT WRITTEN PERMISSION

DIMENSION UNITS mm	SCALE 3:1	CURRENT REV DESC: ORIGINAL RELEASE	molex		
GENERAL TOLERANCES (UNLESS SPECIFIED)					
ANGULAR TOL ± 2.0°		EC NO: 606029	PRODUCT CUSTOMER DRAWING		
4 PLACES ±		DRWN: DSHEA 2018/10/16	DOCUMENT NUMBER		
3 PLACES ±		CHK'D: DBYRNES 2018/11/05	938380002		
2 PLACES ± 0.1		APPR: DBYRNES 2018/11/05	DOC TYPE	DOC PART	REVISION
1 PLACE ± 0.2		INITIAL REVISION:	PSD	000	A
0 PLACES ±		DRWN: DSHEA 2018/08/23	MATERIAL NUMBER		
		APPR: DBYRNES 2018/11/05	SEE SHEET 1		
DRAFT WHERE APPLICABLE MUST REMAIN WITHIN DIMENSIONS	THIRD ANGLE PROJECTION	DRAWING	CUSTOMER		SHEET NUMBER
		A2-SIZE	GENERAL MARKET	2 OF 3	
		SERIES	93838		

PORT A

PORT B



Description	Value	
OCL @100 kHz, 0.1 V, 8 mA DC bias (-40°C to +85°C)	350 µH min.	
Turns ratio	1CT:1CT	
Transmission characteristics @ 25°C, all four pairs		
Insertion Loss		
Frequency f, (MHz)	Limits (dB max.)	Typical Values (dB max.)
1.0-9.9	0.4+0.1*log(f)	0.5 @ 10 MHz
10-49.9	0.5+0.3*log(f/10)	0.7 @ 50 MHz
50-79.9	1+1.4*log(f/80)	1.0 @ 80 MHz
80-100	1.3+3*log(f/100)	1.3 @ 100 MHz
Return Loss		
Frequency f, (MHz)	Limits (dB min.)	Typical Values (dB min.)
1.0-39.9	18	18 @ 40 MHz
40-100	12-20*log(f/80)	10 @ 100 MHz
CMR		
Frequency f, (MHz)	Limits (dB min.)	Typical Values (dB min.)
1.0-100	30	30 @ 100 MHz
NEXT		
Frequency f, (MHz)	Limits (dB min.)	Typical Values (dB min.)
1.0-39.9	35	35 @ 40 MHz
40-100	33-20*log(f/50)	27 @ 100 MHz
Isolation PHY to wire side	2.25 kV DC / 60 sec	

THIS DRAWING CONTAINS INFORMATION THAT IS PROPRIETARY TO MOLEX ELECTRONIC TECHNOLOGIES, LLC AND SHOULD NOT BE USED WITHOUT WRITTEN PERMISSION

DIMENSION UNITS mm	SCALE 1:1	CURRENT REV DESC: ORIGINAL RELEASE		molex		
GENERAL TOLERANCES (UNLESS SPECIFIED)		EC NO: 606029				
ANGULAR TOL ± 2.0°	4 PLACES ±	DRWN: DSHEA	2018/10/16	PRODUCT CUSTOMER DRAWING		
3 PLACES ±	2 PLACES ± 0.1	CHK'D: DBYRNES	2018/11/05	DOCUMENT NUMBER		
1 PLACE ± 0.2	0 PLACES ±	APPR: DBYRNES	2018/11/05	938380002		
DRAFT WHERE APPLICABLE MUST REMAIN WITHIN DIMENSIONS	THIRD ANGLE PROJECTION	INITIAL REVISION:	DRWN: DSHEA	2018/08/23	DOC TYPE	DOC PART
		APPR: DBYRNES	2018/11/05	MATERIAL NUMBER	CUSTOMER	REVISION
				SEE SHEET 1	GENERAL MARKET	000 A
						3 OF 3