



Networking Communication Components

RT Series

LAN Transformer

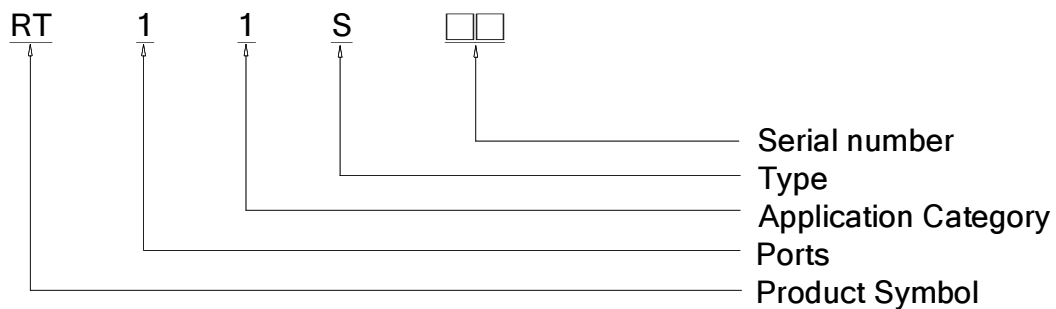
Part number: RT11S16-RU

Part name :10/ 100 Transformer Single Port

Feature

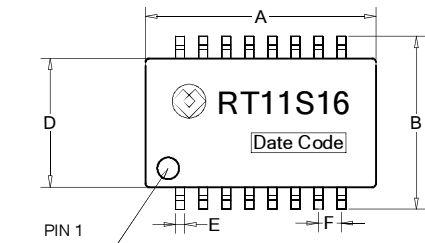
- Compliant and peak reflow temperature rating 245°C .
- Meets IEEE802.3 specification.
- Excellent common mode noise suppression.
- Packaging specification is reel.
(RT11S□□ : Reel)

Part number code

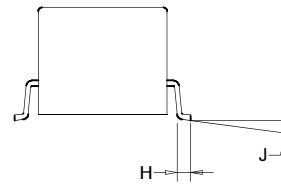
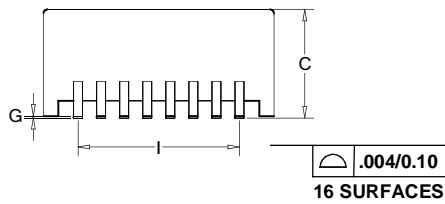
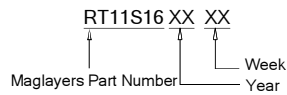


REV.	Description	Date	Drawn	Designed	Approved
A	Specification issued	10.08.2010	James.Cheng	James.Cheng	Vincent.Hsu

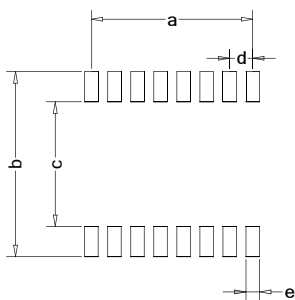
Mechanical Dimension and Marking



UNIT	mm	inch
A	12.80 +0.254/-0.254	0.504 +0.010/-0.010
B	9.30 +0.254/-0.254	0.366 +0.010/-0.010
C	5.65 +0.254/-0.254	0.222 +0.010/-0.010
D	6.90 +0.254/-0.254	0.272 +0.010/-0.010
E	0.46 +0.127/-0.127	0.018 +0.005/-0.005
F	1.27 +0.254/-0.254	0.050 +0.010/-0.010
G	0.25 +0.127/-0.127	0.010 +0.005/-0.005
H	0.70 +0.127/-0.127	0.028 +0.005/-0.005
I	8.89 +0.254/-0.254	0.350 +0.010/-0.010
J	0°- 8°	



Suggested Land Pattern

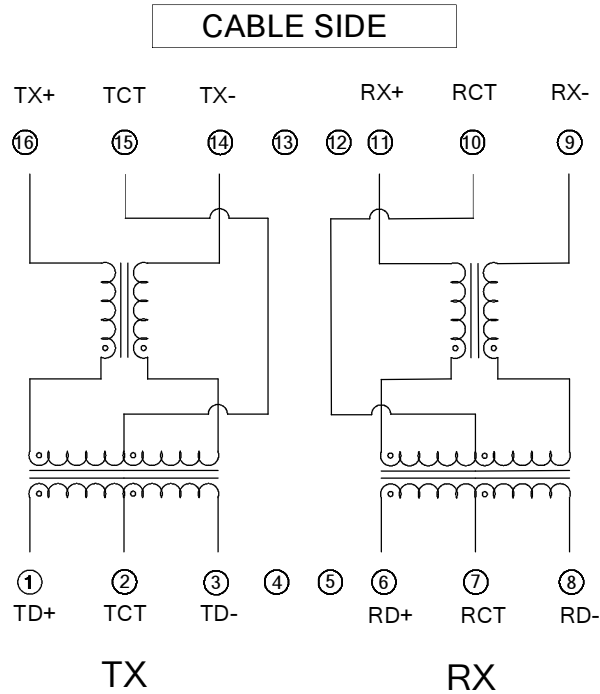


UNIT	mm	inch
a	8.89	0.350
b	10.20	0.405
c	6.86	0.270
d	1.27	0.050
e	0.76	0.030

Drawn	James.Cheng	Designed	James.Cheng	Approved	Vincent. Hsu
-------	-------------	----------	-------------	----------	--------------

Schematics

RT11S16



N.C. pins: ④ ⑤ ⑫ ⑬

Electrical Specification @ 25°C, Humidity 65% RH

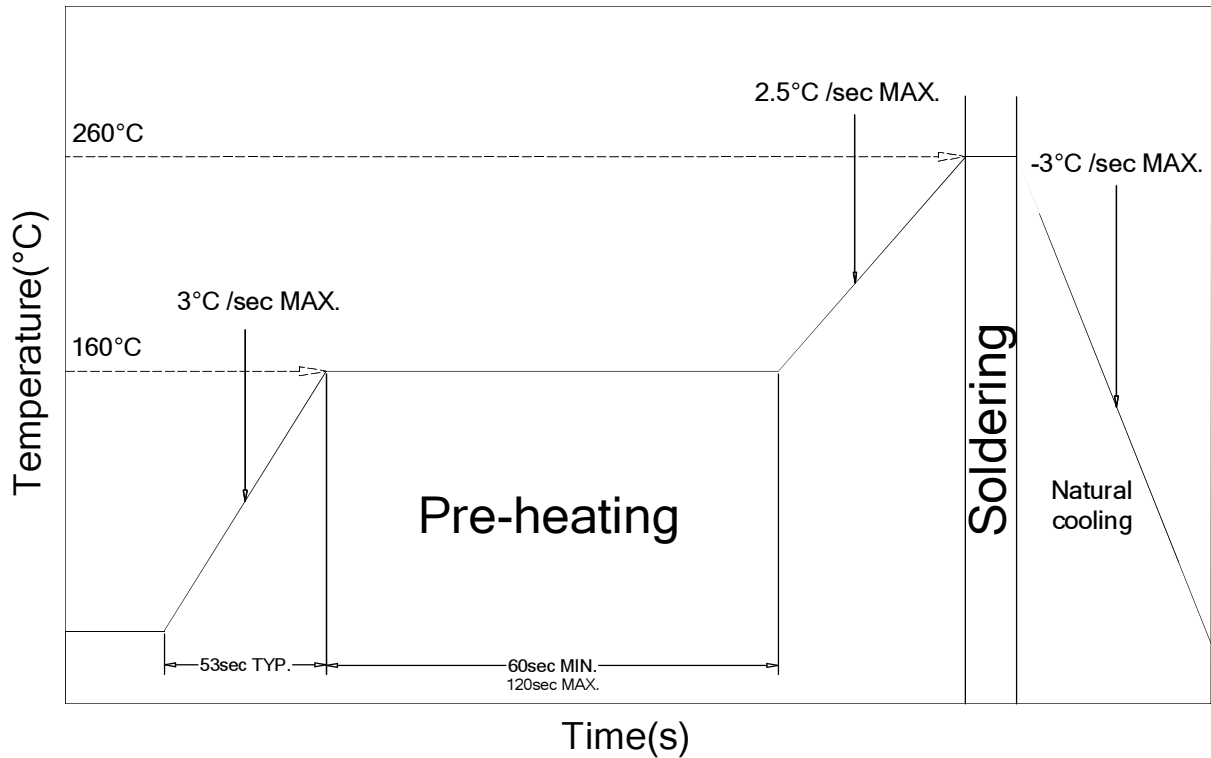
Inductance @ Phy side(OCL)
100KHz, 0.1V, 8mA DC Bias
350uH MIN

Part Number	Turns Ratio		Insertion Loss	Return Loss			DMCR			Crosstalk			Hipot
	100KHz			dB MIN			dB MIN			dB MIN			
	TX	RX	1MHz-100MHz	30MHz	60MHz	80MHz	30MHz	50MHz	100MHz	30MHz	60MHz	100MHz	Pri To Sec @60Hz, 1mA
RT11S16	1:1±3%	1:1±3%	-1.1	-20	-14	-11.5	-42	-37	-33	-45	-40	-35	1500, 60

Operating Temperature: 0°C to +70°C.
Storage Temperature: -25°C to +105°C
JSDEC Moisture: Level 1



Reflow Soldering

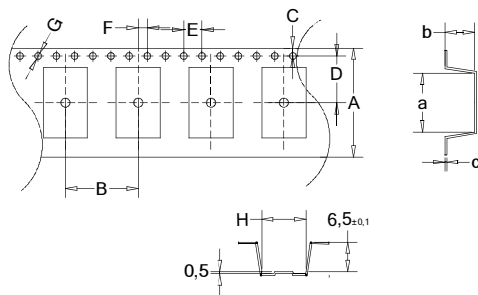


- **IR Reflow soldering :**
Preheat at 3°C per second to 160°C and using lead free solder, IR at 260°C for 10 seconds.
- **Rework flow:**
Component must withstand two IR reflow cycles with a cool down between cycles
- Temperature is measured at the terminal portion of product (Using thermocoupler for measurement).
- This profile is reference data we recommend. Please check in your actual process.
- For reliable soldering, the thickness of solder paste screen should be over the terminal co-planality.
- The cutted end of terminal has no plating (out of subject of solder ability).

Packaging Styles

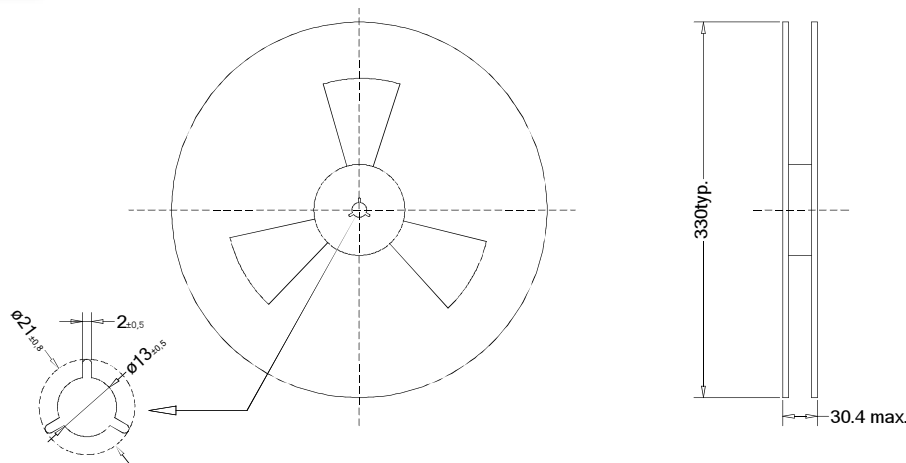
Per 13" reel : 650 pieces

Tape Dimensions



UNIT	mm	UNIT	mm
A	24.00± 0.30	F	2.00± 0.10
B	16.00± 0.10	G	1.50± 0.10
C	1.75± 0.10	H	9.70± 0.10
D	11.50± 0.10	a	13.00± 0.10
E	4.00± 0.10	b	6.50± 0.10
10*E	40.00± 0.20	c	0.40± 0.05

Reel Dimensions



Dimensions in mm

Recommended Condition For Long Term Store

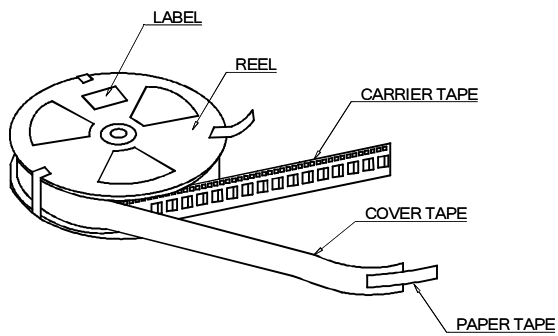
When it stores for a long term, please avoid place of high temperature and high humidity.

Recommend that it uses after the delivery within 1 year.

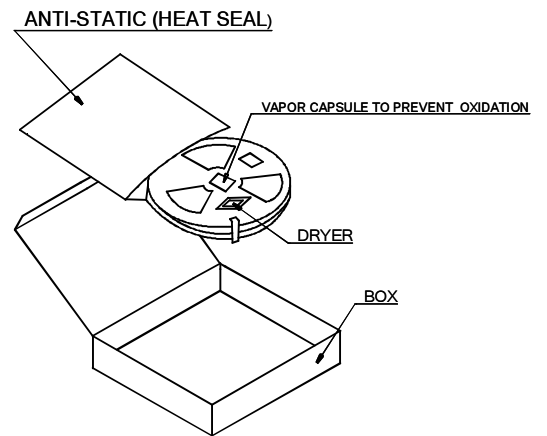
- Temperature range: +5 to +30°C.
- Humidity: 60(%)RH max..
- All dimensions meet EIA-481-C requirement.

Package Specification

650 pieces / reel



1 reel / BOX



2 BOX / CARTON
1300 pieces / CARTON

