

2103172-9 ✓ ACTIVE

High Power Connector System

TE Internal #: 2103172-9

Other Automotive Connector Accessories, Housing, Orange, -40 – 85 °C [-40 – 185 °F], High Power Connector System

[View on TE.com >](#)



Connectors > Automotive Connectors > Automotive Connector Accessories > Other Automotive Connector Accessories



Automotive Connector Accessory Type: **Housing**

Primary Product Color: **Orange**

Operating Temperature Range: **-40 – 85 °C [-40 – 185 °F]**

Features

Product Type Features

Automotive Connector Accessory Type	Housing
-------------------------------------	---------

Body Features

Primary Product Color	Orange
-----------------------	--------

Usage Conditions

Operating Temperature Range	-40 – 85 °C[-40 – 185 °F]
-----------------------------	---------------------------

Industry Standards

Agency/Standard	USCAR
-----------------	-------

Packaging Features

Packaging Quantity	1
--------------------	---

Packaging Method	Package
------------------	---------

Other

Serviceable	Yes
-------------	-----

Product Compliance

[For compliance documentation, visit the product page on TE.com>](#)

EU RoHS Directive 2011/65/EU	Compliant
------------------------------	-----------

EU ELV Directive 2000/53/EC	Compliant
-----------------------------	-----------

China RoHS 2 Directive MIIT Order No 32, 2016	No Restricted Materials Above Threshold
---	---

EU REACH Regulation (EC) No. 1907/2006	Current ECHA Candidate List: JUNE 2023 (235)
--	--



Candidate List Declared Against: JUNE 2022 (224)
Does not contain REACH SVHC

Halogen Content	Low Bromine/Chlorine - Br and Cl < 900 ppm per homogenous material. Also BFR /CFR/PVC Free
Solder Process Capability	Not applicable for solder process capability

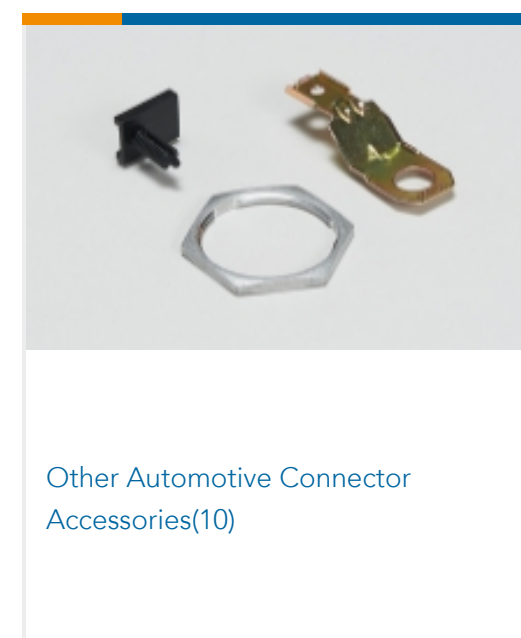
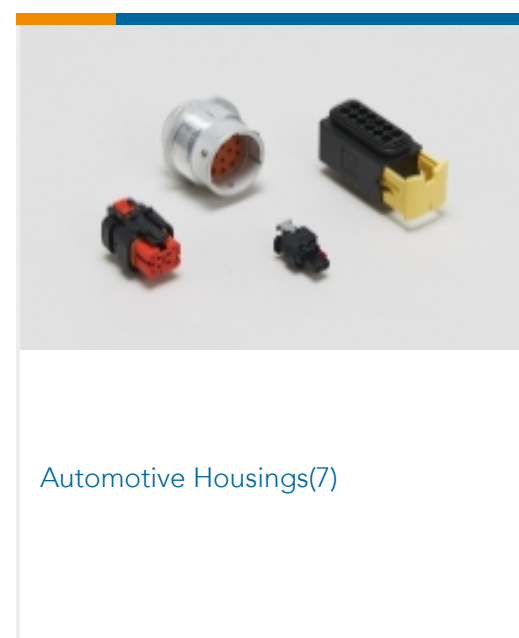
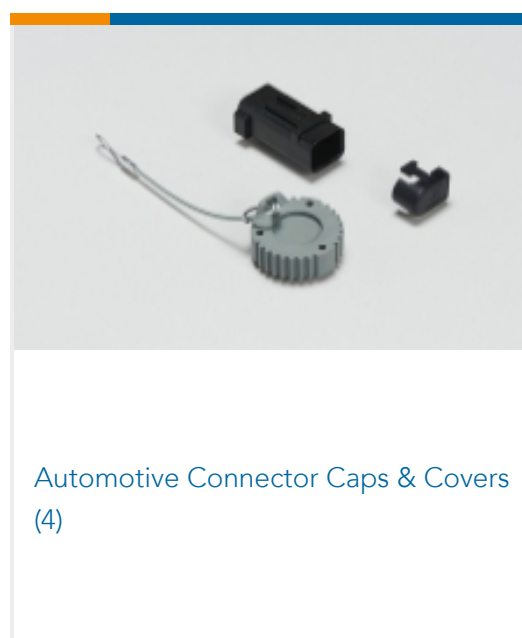
Product Compliance Disclaimer

This information is provided based on reasonable inquiry of our suppliers and represents our current actual knowledge based on the information they provided. This information is subject to change. The part numbers that TE has identified as EU RoHS compliant have a maximum concentration of 0.1% by weight in homogenous materials for lead, hexavalent chromium, mercury, PBB, PBDE, DBP, BBP, DEHP, DIBP, and 0.01% for cadmium, or qualify for an exemption to these limits as defined in the Annexes of Directive 2011/65/EU (RoHS2). Finished electrical and electronic equipment products will be CE marked as required by Directive 2011/65/EU. Components may not be CE marked. Additionally, the part numbers that TE has identified as EU ELV compliant have a maximum concentration of 0.1% by weight in homogenous materials for lead, hexavalent chromium, and mercury, and 0.01% for cadmium, or qualify for an exemption to these limits as defined in the Annexes of Directive 2000/53/EC (ELV). Regarding the REACH Regulation, the information TE provides on SVHC in articles for this part number is based on the latest European Chemicals Agency (ECHA) 'Guidance on requirements for substances in articles' posted at this URL: <https://echa.europa.eu/guidance-documents/guidance-on-reach>

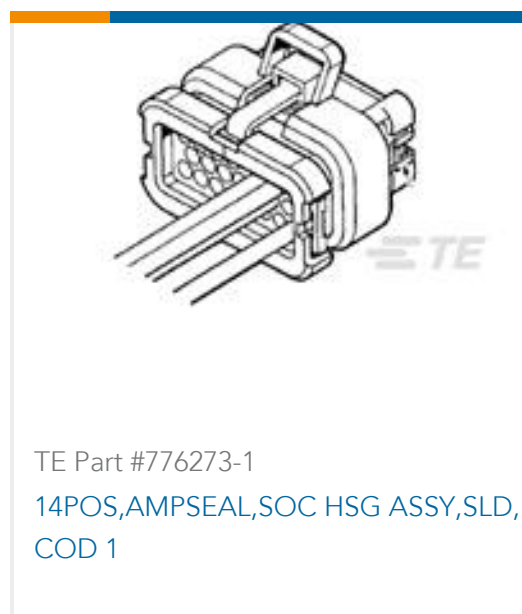
Compatible Parts



Also in the Series | High Power Connector System



Customers Also Bought



TE Part #776273-1
14POS, AMPSEAL, SOC HSG ASSY, SLD,
COD 1



TE Part #1-917659-6
DYNAMIC 3200 D/ROW REC HSG 12P



TE Part #HDP24-24-21PE
REC, 21P, BLK, E, 12/16, P



TE Part #917511-3
DYNAMIC D-3 REC CONT. 2L AU 0.76
L/P



TE Part #2177419-3
32POS, TAB 0.5X0.4, HEADER ASSY,
CODA



TE Part #1-1587987-7
RECEPTACLE ASSEMBLY, Shunt, MSD



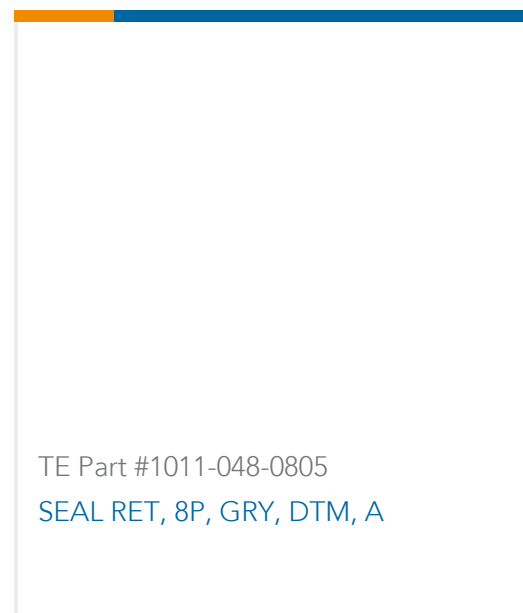
TE Part #1-1587987-1
RECEPTACLE ASSEMBLY, 350A, MSD



TE Part #1-1456426-5
4POS, MCON 1.2 CB REC 2p TL
SEALED



TE Part #3-1609028-1
5FBH3=F8591



TE Part #1011-048-0805
SEAL RET, 8P, GRY, DTM, A

Documents

Product Drawings

Plug Assembly, 250A, MSD

English

CAD Files

3D PDF

3D

Customer View Model

[ENG_CVM_CVM_2103172-9_E.2d_dxf.zip](#)

English

Customer View Model

[ENG_CVM_CVM_2103172-9_E.3d_igs.zip](#)

English

Customer View Model

[ENG_CVM_CVM_2103172-9_E.3d_stp.zip](#)

English

By downloading the CAD file I accept and agree to the [Terms and Conditions](#) of use.

Product Specifications



Product Specification

English

Instruction Sheets

Instruction Sheet (U.S.)

English