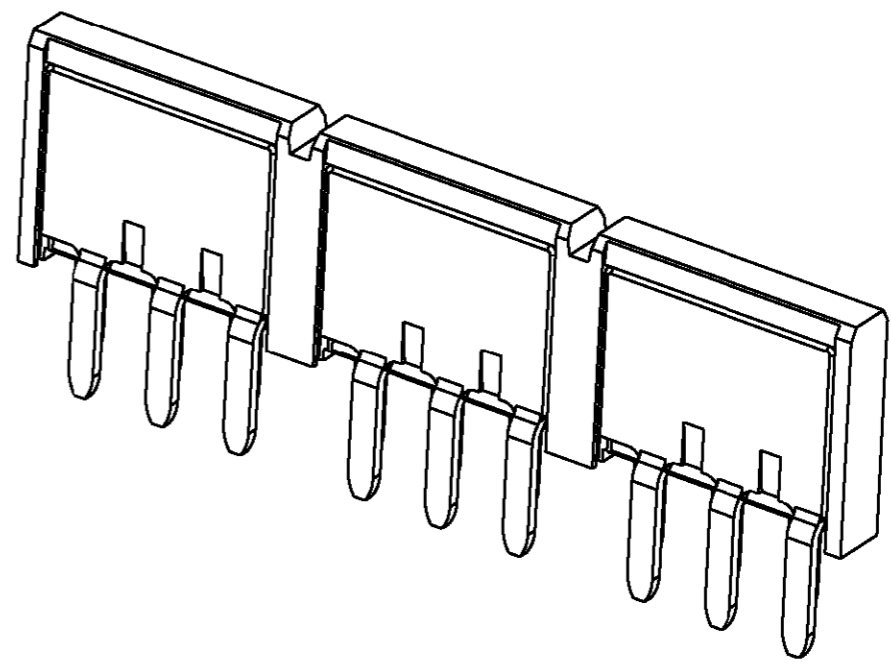


THIS DRAWING IS UNPUBLISHED. RELEASED FOR PUBLICATION 20
 © COPYRIGHT 20 BY TYCO ELECTRONICS CORPORATION. ALL RIGHTS RESERVED.

LOC	DIST	REVISIONS			
P	LTR	DESCRIPTION	DATE	DWN	APVD
GP	00	A	RELEASED	17JAN2007	RG SF

- PART NUMBER CHANGES AND OR DESIGN CHANGES AFFECTING ITEM INTERCHANGEABILITY REQUIRE PRIOR TYCO APPROVAL AND AUTHORIZATION BY REVISION TO THIS DRAWING.
- ITEMS PROVIDED TO THIS SPECIFICATION TO BE BAGGED AND TAG IDENTIFIED PER THE FOLLOWING IDENTIFIER:
 YEAR WEEK
 TYCO PART NO. XXXXXXXX-X DATE CODE (e.g. 0425) XXXX
- MATERIALS:
 INSULATOR: THERMOPLASTIC GLASS REINFORCED,
 COLOR: BLACK, UL94V-0 FLAMMABILITY
 CONTACTS: COPPER ALLOY
- FINISH:
 CONTACT: SELECTIVELY GOLD PLATE 0.00076mm MIN. THK. OVER
 NICKEL 0.00127mm MIN THK.
 SOLDER TAILS: TIN PLATE .00305mm MIN THK. OVER
 NICKEL 0.00127mm MIN THK.
- A REFERENCE DIMENSION (.XXX) IS WITHOUT TOLERANCE AND USED FOR INFORMATION PURPOSES ONLY.
- SEE DRAWING C-6651712 FOR MATING SOCKET CONNECTOR.

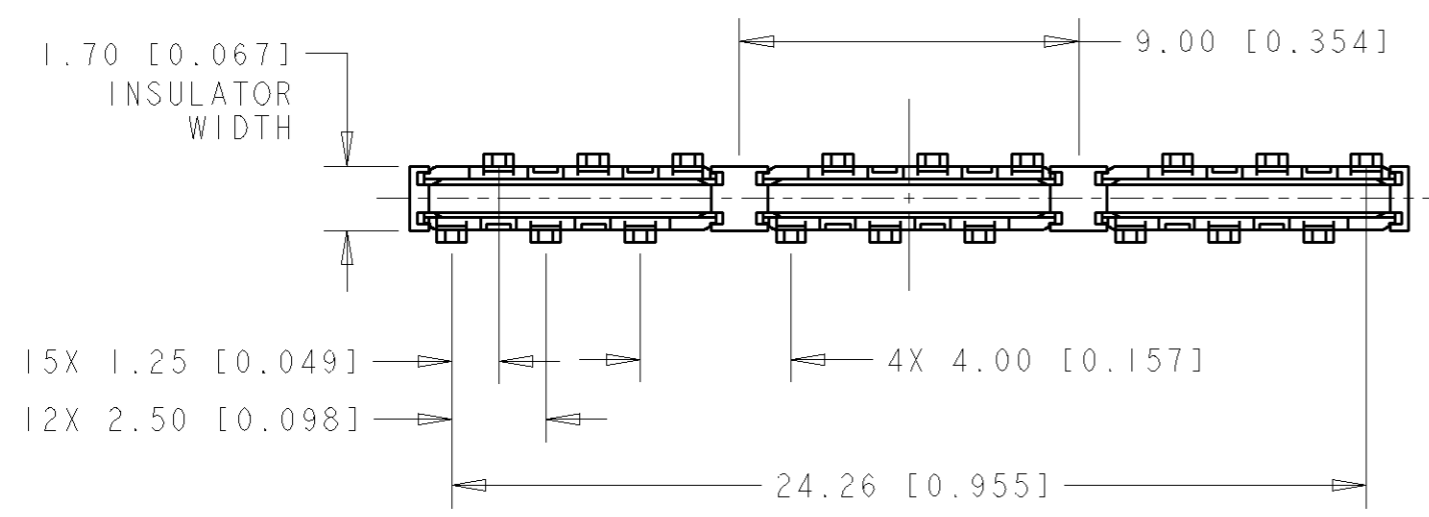
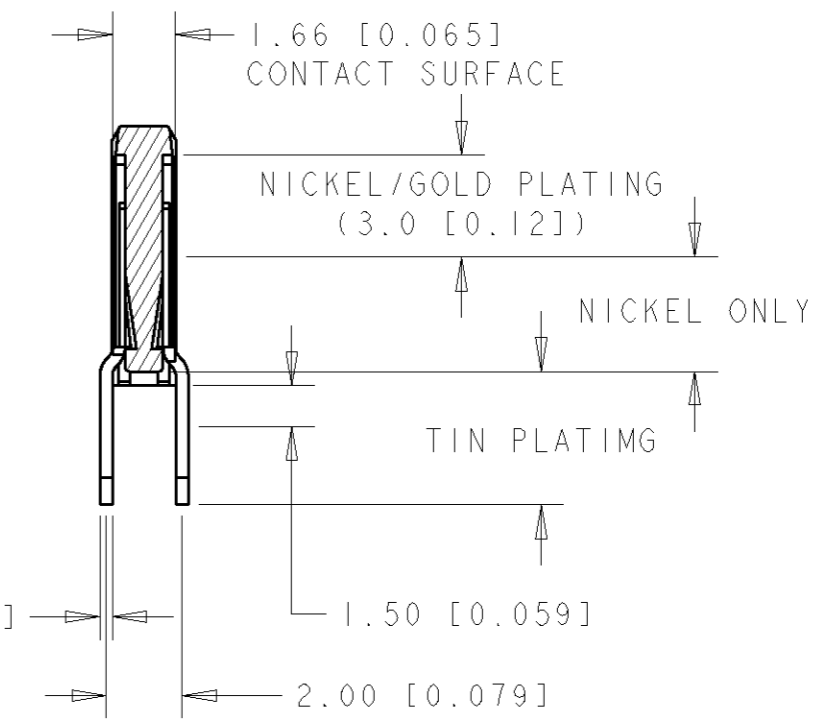
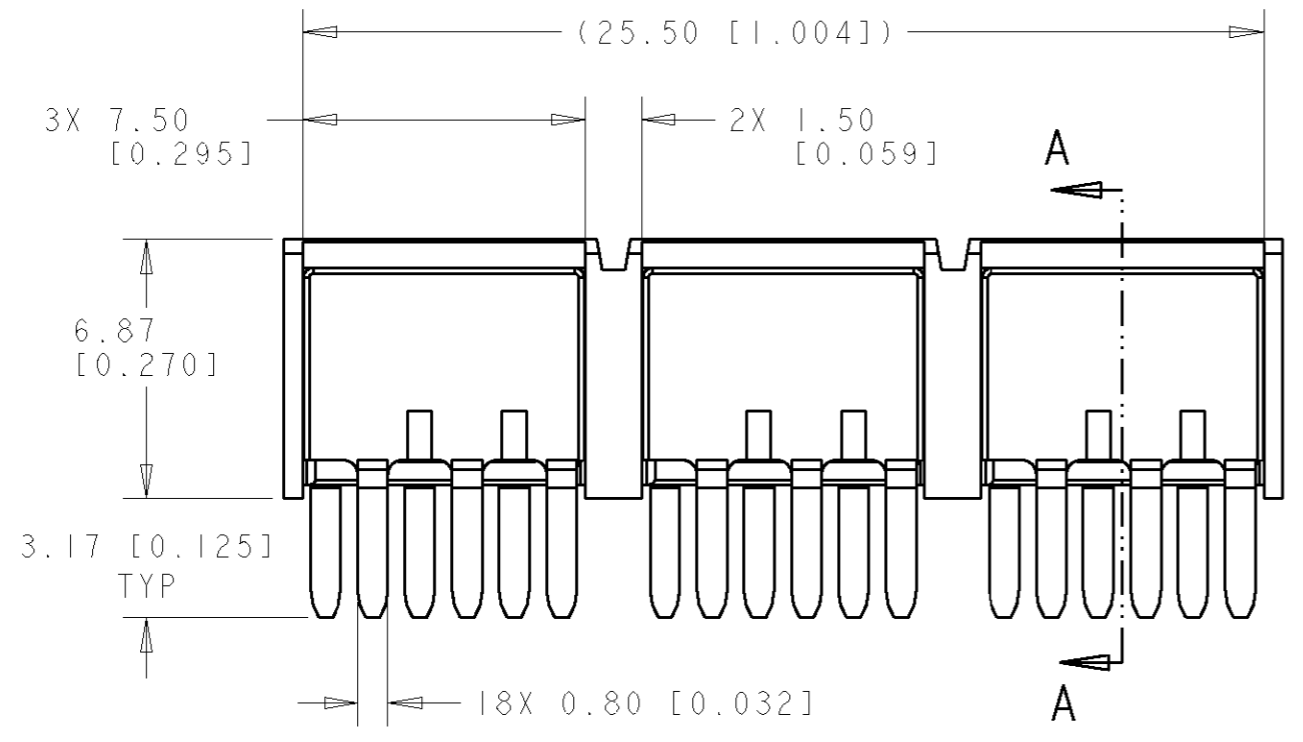
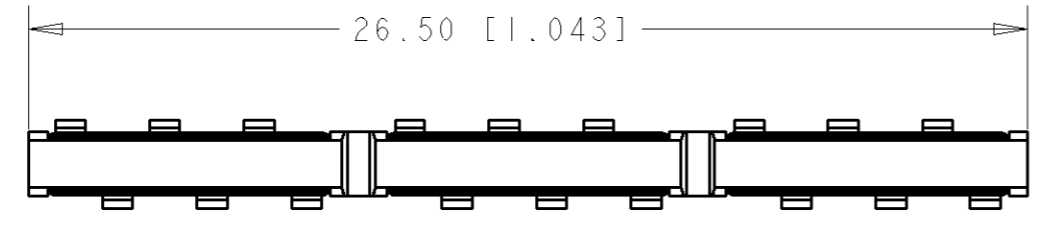


AS SHOWN	6651711-1
DESCRIPTION	PART NO.

<small>THIS DRAWING IS A CONTROLLED DOCUMENT FOR TYCO ELECTRONICS CORPORATION IT IS SUBJECT TO CHANGE AND THE CONTROLLING ENGINEERING ORGANIZATION SHOULD BE CONTACTED FOR THE LATEST REVISION.</small>		DWN	R. GRZYBOWSKI	17 JAN 2007	Tyco Electronics Harrisburg, PA 17105-3608
DIMENSIONS: mm [INCHES]		CHK	S. FLICKINGER	17 JAN 2007	
		APVD	S. FLICKINGER	17 JAN 2007	
TOLERANCES UNLESS OTHERWISE SPECIFIED: 0 PLC ±- 1 PLC ±0.5 [.02] 2 PLC ±0.25 [.010] 3 PLC ±- 4 PLC ±- ANGLES ±2		PRODUCT SPEC	NAME		MC-P3S0 MINI CROWN EDGE BLADE CONNECTOR, SOLDER TAIL
MATERIAL -		FINISH -	APPLICATION SPEC		RESTRICTED TO
		WEIGHT -	SIZE	CAGE CODE	DRAWING NO
			A3	00779	C-6651711
		CUSTOMER DRAWING	SCALE	SHEET	OF
			5:1	1	4
				REV	A

THIS DRAWING IS UNPUBLISHED. RELEASED FOR PUBLICATION 20
 © COPYRIGHT 20 BY TYCO ELECTRONICS CORPORATION. ALL RIGHTS RESERVED.

LOC	DIST	REVISIONS				
P	LTR	DESCRIPTION	DATE	DWN	APVD	
GP	00	-	SEE SHEET 1	-	-	

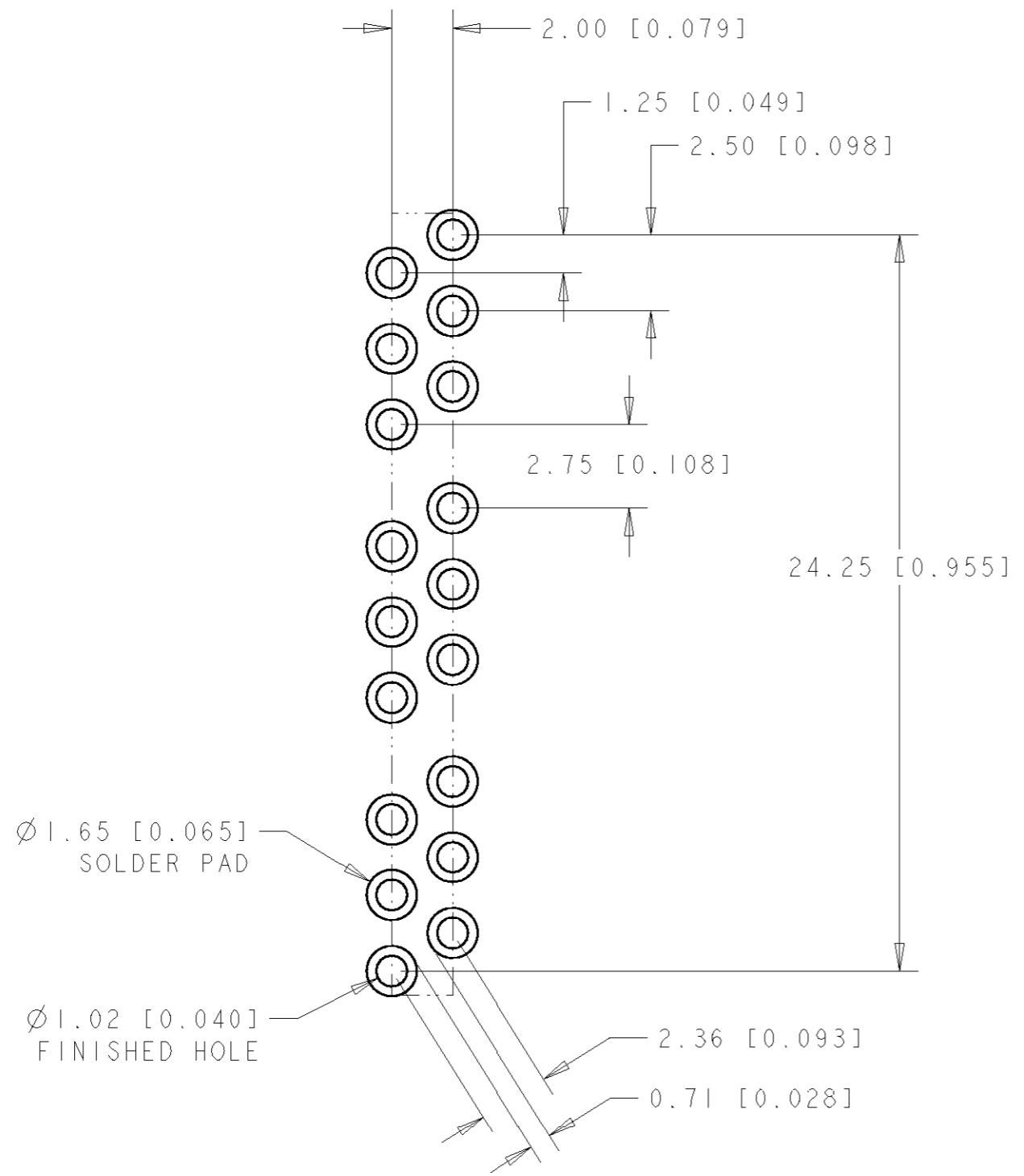


THIS DRAWING IS A CONTROLLED DOCUMENT FOR TYCO ELECTRONICS CORPORATION. IT IS SUBJECT TO CHANGE AND THE CONTROLLING ENGINEERING ORGANIZATION SHOULD BE CONTACTED FOR THE LATEST REVISION.

DIMENSIONS: mm [INCHES]	TOLERANCES UNLESS OTHERWISE SPECIFIED:	DWN R. GRZYBOWSKI 17 JAN 2007	Tyco Electronics Harrisburg, PA 17105-3608
	0 PLC ±-	CHK S. FLICKINGER 17 JAN 2007	
	1 PLC ±0.5 [0.02]	APVD S. FLICKINGER 17 JAN 2007	
MATERIAL	FINISH	PRODUCT SPEC	NAME MC-P350 MINI CROWN EDGE BLADE CONNECTOR, SOLDER TAIL
		APPLICATION SPEC	SIZE A3
		WEIGHT	CAGE CODE 00779
			DRAWING NO C-6651711
			RESTRICTED TO
		CUSTOMER DRAWING	SCALE 5:1
			SHEET 2 OF 4
			REV A

THIS DRAWING IS UNPUBLISHED. RELEASED FOR PUBLICATION 20
 © COPYRIGHT 20 BY TYCO ELECTRONICS CORPORATION. ALL RIGHTS RESERVED.

LOC	DIST	REVISIONS			
P	LTR	DESCRIPTION	DATE	DWN	APVD
GP	00	-	SEE SHEET 1	-	-

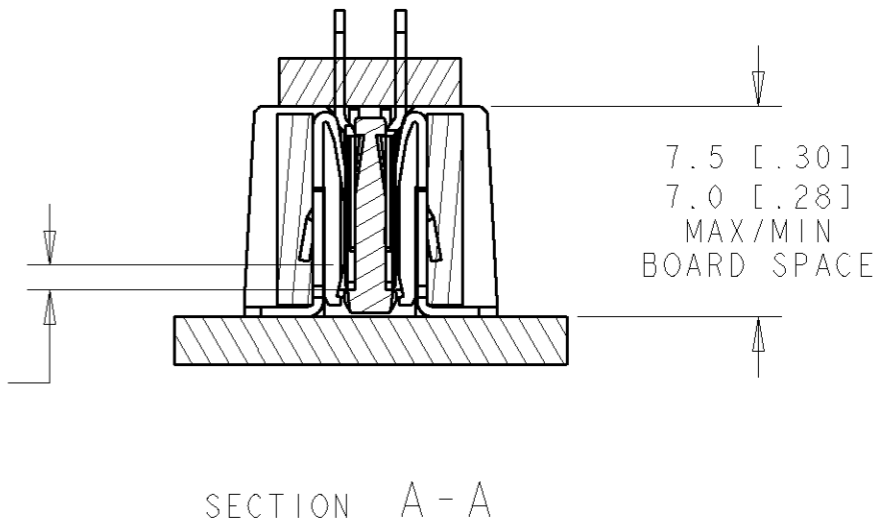
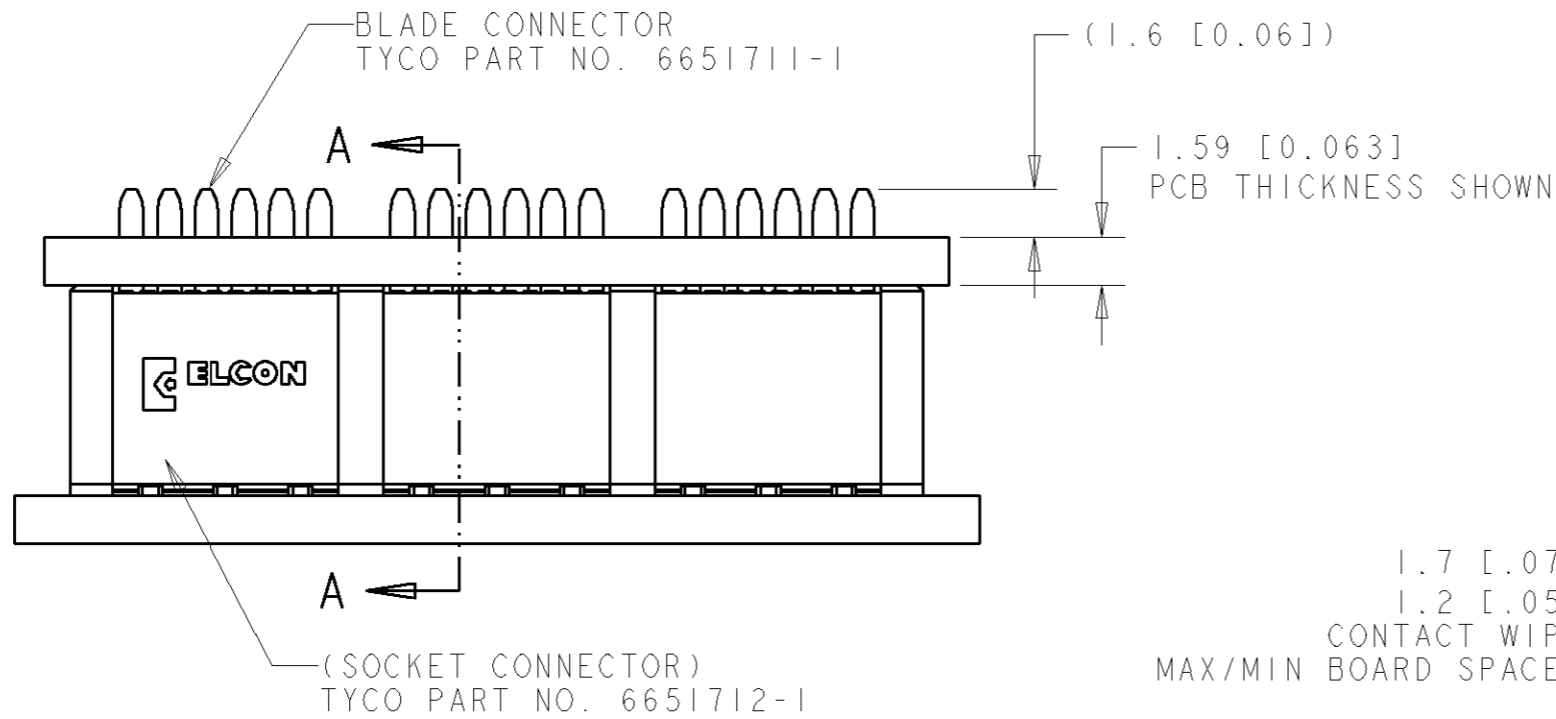


PRINTED CIRCUIT LAYOUT
 SOLDER LEAD HOLE & PAD GUIDELINES

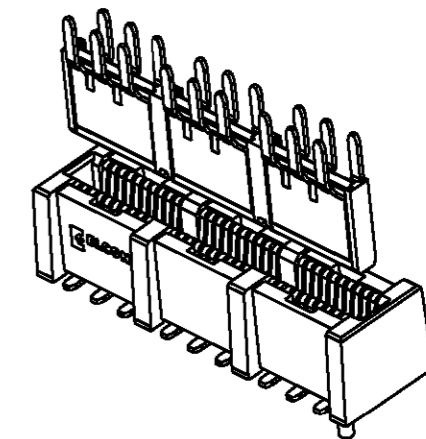
<small>THIS DRAWING IS A CONTROLLED DOCUMENT FOR TYCO ELECTRONICS CORPORATION IT IS SUBJECT TO CHANGE AND THE CONTROLLING ENGINEERING ORGANIZATION SHOULD BE CONTACTED FOR THE LATEST REVISION.</small>		DWN R. GRZYBOWSKI 17 JAN 2007 CHR S. FLICKINGER 17 JAN 2007 APVD S. FLICKINGER 17 JAN 2007	Tyco Electronics Harrisburg, PA 17105-3608
DIMENSIONS: mm [INCHES]	TOLERANCES UNLESS OTHERWISE SPECIFIED:	PRODUCT SPEC - APPLICATION SPEC - WEIGHT -	NAME MC-P3S0 MINI CROWN EDGE BLADE CONNECTOR, SOLDER TAIL
	0 PLC ±- 1 PLC ±0.5 [.02] 2 PLC ±0.25 [.010] 3 PLC ±- 4 PLC ±- ANGLES ±2	SIZE A3 CAGE CODE 00779 DRAWING NO C-6651711	RESTRICTED TO -
MATERIAL -	FINISH -	CUSTOMER DRAWING	SCALE 5:1 SHEET 3 OF 4 REV A

THIS DRAWING IS UNPUBLISHED. RELEASED FOR PUBLICATION 20
 © COPYRIGHT 20 BY TYCO ELECTRONICS CORPORATION. ALL RIGHTS RESERVED.

LOC	DIST	REVISIONS				
P	LTR	DESCRIPTION	DATE	DWN	APVD	
GP	00	-	SEE SHEET 1	-	-	



MATED CONDITION



<small>THIS DRAWING IS A CONTROLLED DOCUMENT FOR TYCO ELECTRONICS CORPORATION IT IS SUBJECT TO CHANGE AND THE CONTROLLING ENGINEERING ORGANIZATION SHOULD BE CONTACTED FOR THE LATEST REVISION.</small>		DWN R. GRZYBOWSKI 17 JAN 2007 CHR S. FLICKINGER 17 JAN 2007 APVD S. FLICKINGER 17 JAN 2007	tyco Electronics	Tyco Electronics Harrisburg, PA 17105-3608
DIMENSIONS: mm [INCHES]	TOLERANCES UNLESS OTHERWISE SPECIFIED:	PRODUCT SPEC - APPLICATION SPEC - WEIGHT -	NAME MC-P3S0 MINI CROWN EDGE BLADE CONNECTOR, SOLDER TAIL	
	0 PLC ±- 1 PLC ±0.5 [.02] 2 PLC ±0.25 [.010] 3 PLC ±- 4 PLC ±- ANGLES ±2	CUSTOMER DRAWING	SIZE A3 CAGE CODE 00779 DRAWING NO C=6651711	RESTRICTED TO -
MATERIAL -	FINISH -	SCALE 5:1		SHEET 4 OF 4 REV A