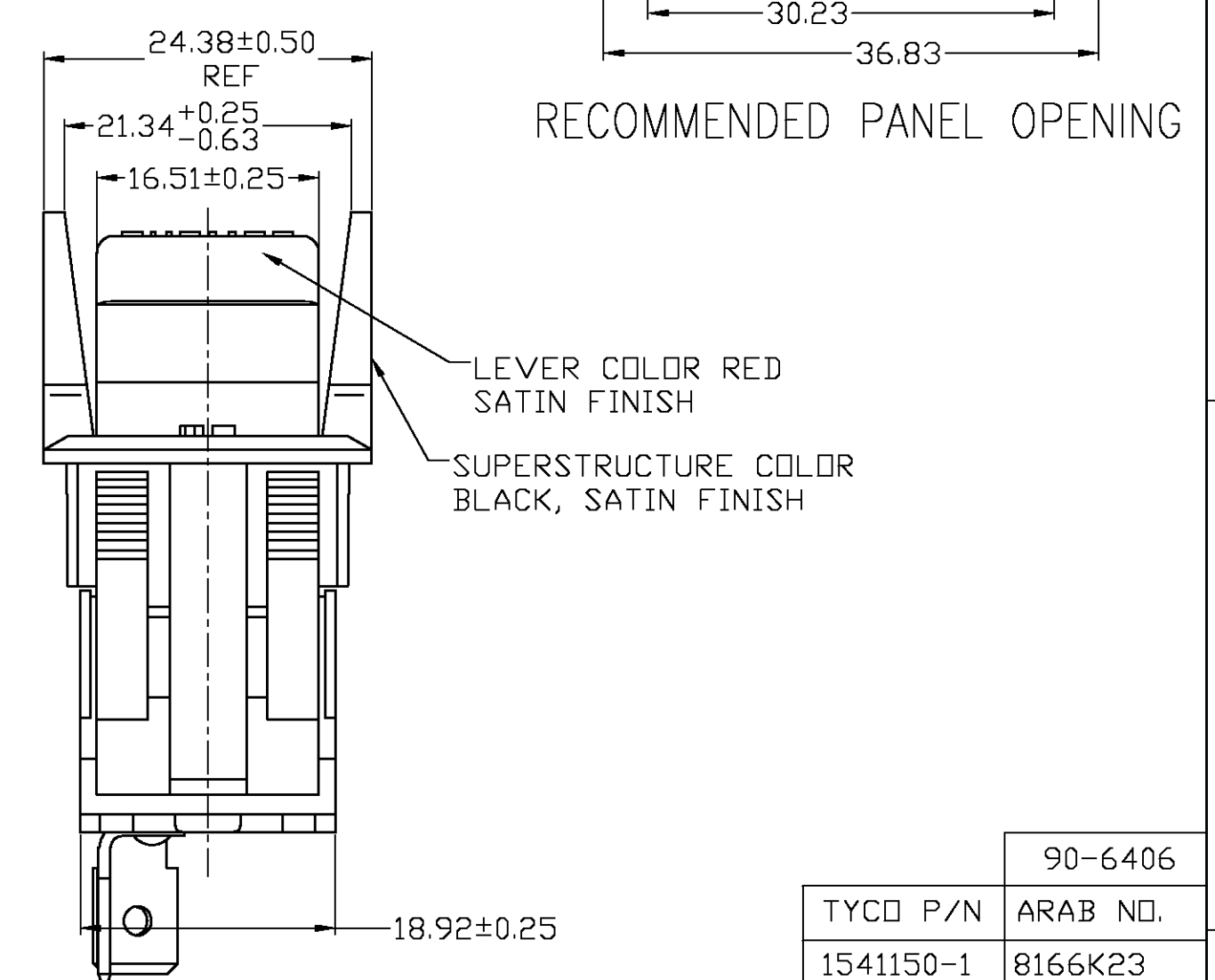
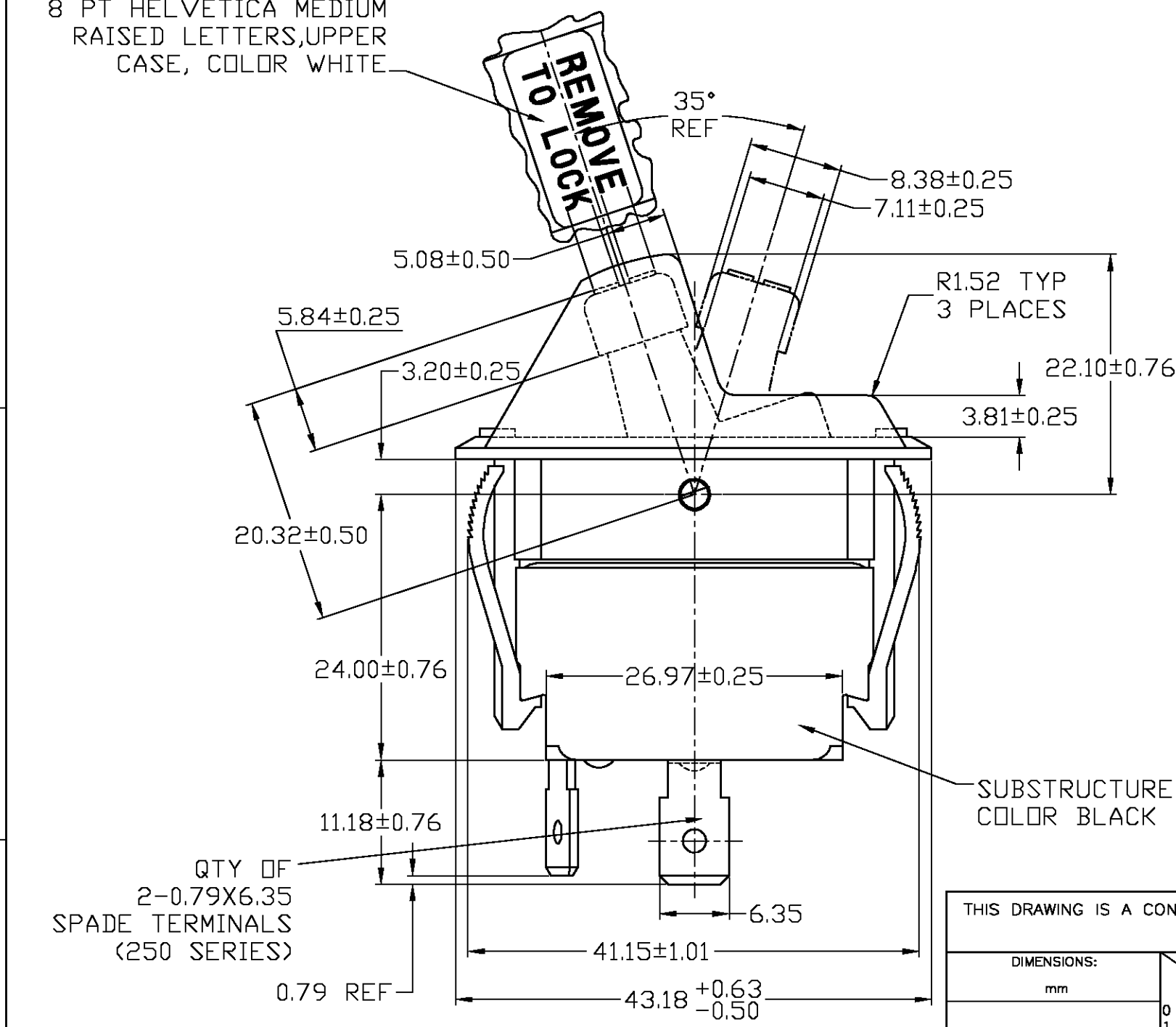
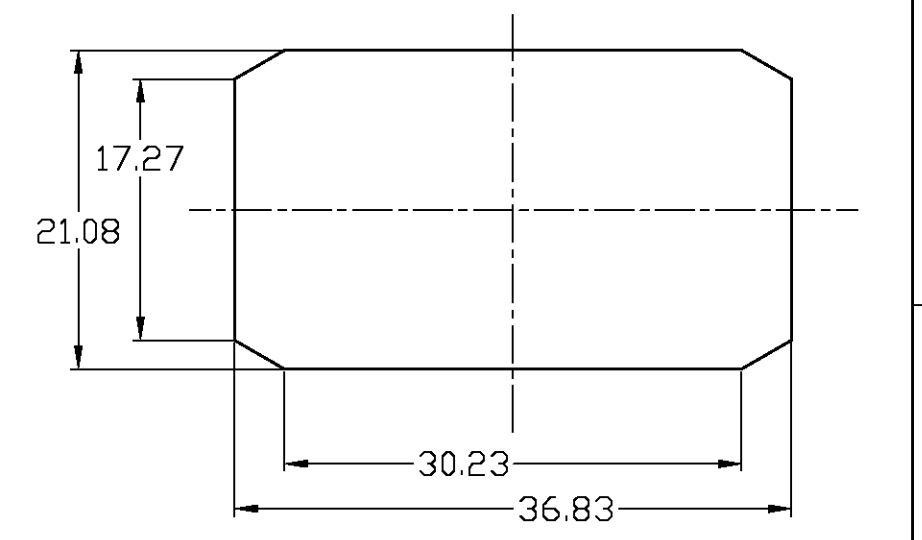
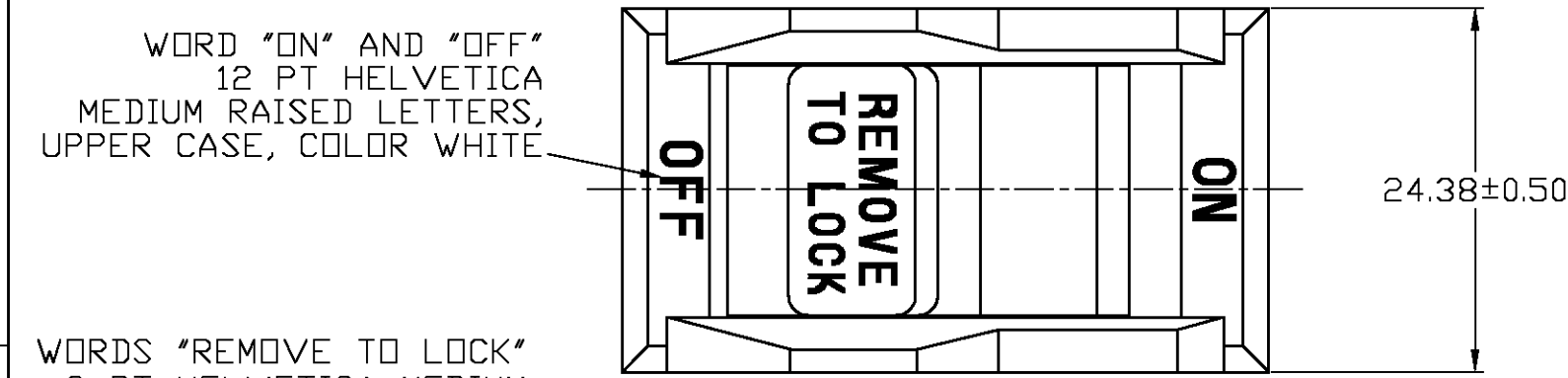


THIS DRAWING IS UNPUBLISHED. RELEASED FOR PUBLICATION
 © COPYRIGHT BY TYCO ELECTRONICS CORPORATION. ALL RIGHTS RESERVED.

LOC	DIST	REVISIONS			
P	LTR	DESCRIPTION	DATE	DWN	APVD
ES	—	C	FBG0-0021-04	28APR04	N.W M.S

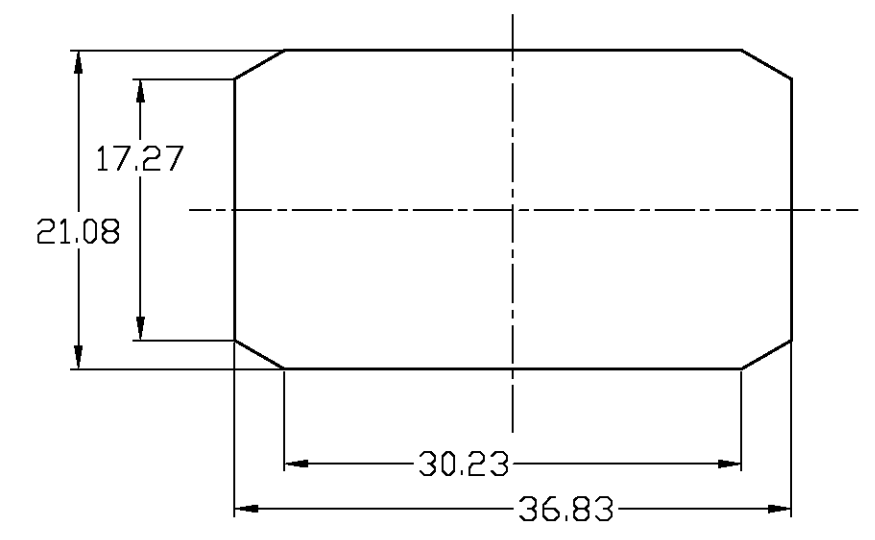
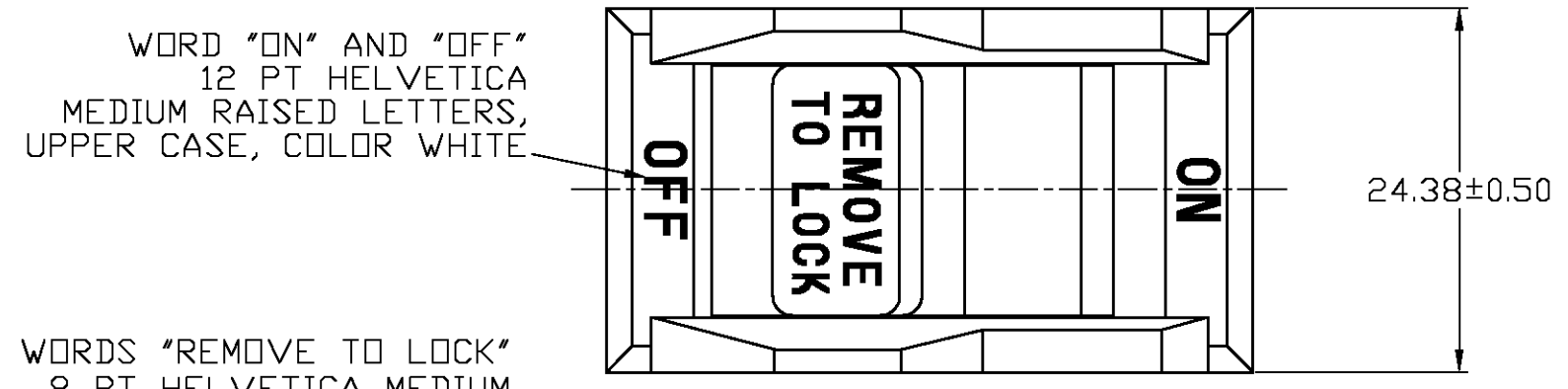


	90-6406
TYCO P/N	ARAB NO.
1541150-1	8166K23

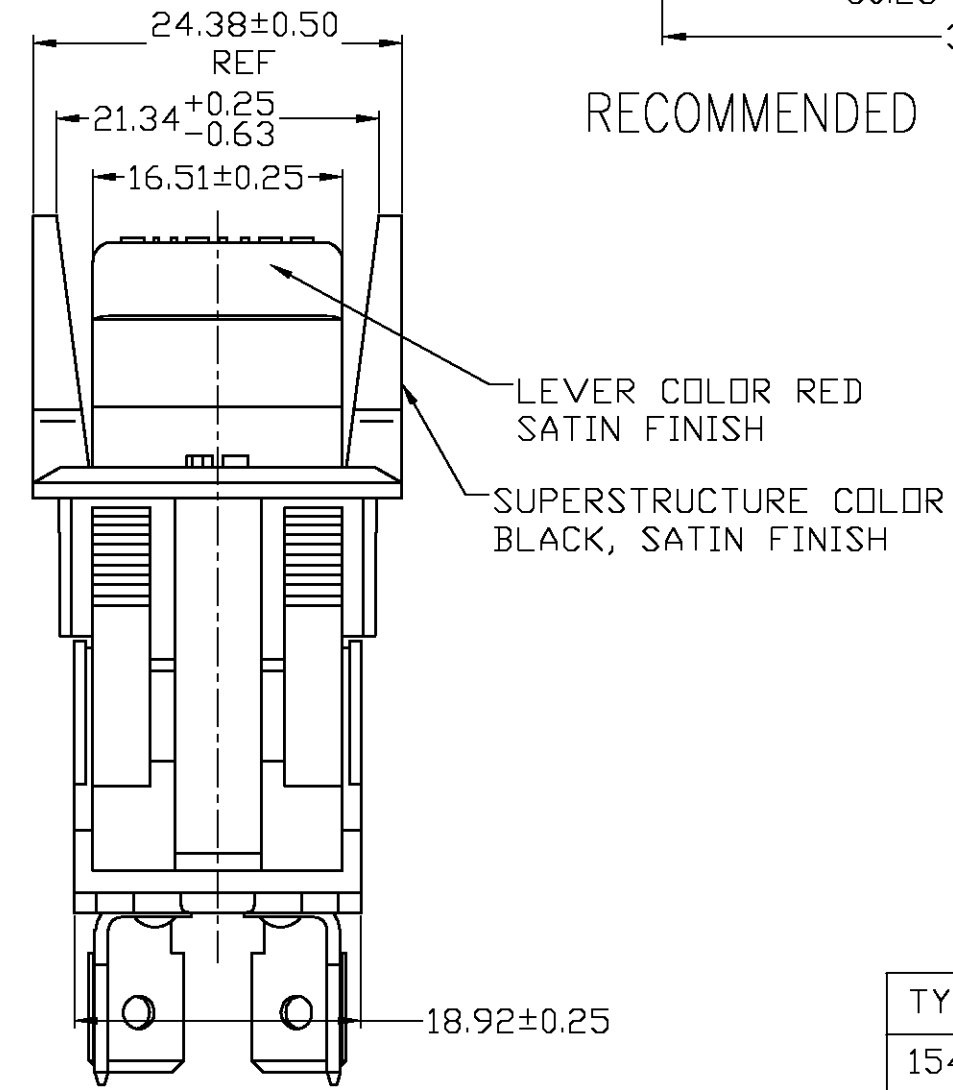
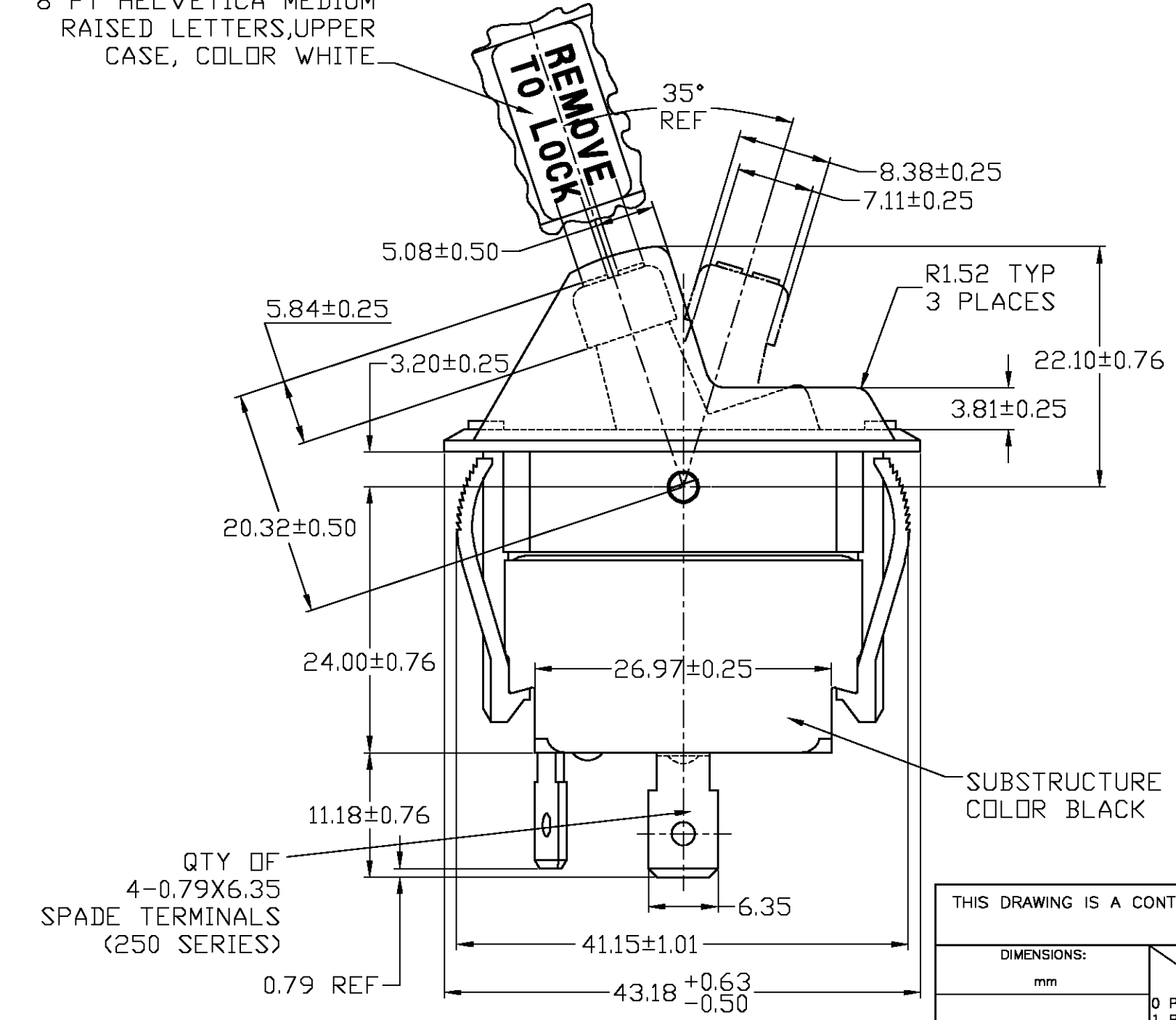
THIS DRAWING IS A CONTROLLED DOCUMENT.		DWN N.WANG	28APR04	 Tyco Electronics Corporation Shanghai, CHINA
DIMENSIONS: mm		CHK C.YUE	28APR04	
		APVD M.SHINDO	28APR04	
TOLERANCES UNLESS OTHERWISE SPECIFIED: 0 PLC ± - 1 PLC ± - 2 PLC ± - 3 PLC ± - 4 PLC ± - ANGLES ± -		PRODUCT SPEC	NAME SELF-LOCKING ROCKER SWITCH (SAFETY SWITCH) WITH PALM GUARD	
MATERIAL	FINISH	APPLICATION SPEC	SIZE	20A 125-277VAC, 2 HP 250VAC, 1HP 125VAC, SPST
		WEIGHT	CAGE CODE	RESTRICTED TO
			DRAWING NO	
CUSTOMER DRAWING			A3 00779	©-1541150
SCALE			SHEET	REV
-			1 OF 8	C

THIS DRAWING IS UNPUBLISHED. RELEASED FOR PUBLICATION
 © COPYRIGHT BY TYCO ELECTRONICS CORPORATION. ALL RIGHTS RESERVED.

LOC	DIST	REVISIONS			
P	LTR	DESCRIPTION	DATE	DWN	APVD
ES	-	SEE SHEET 1	-	-	-



RECOMMENDED PANEL OPENING

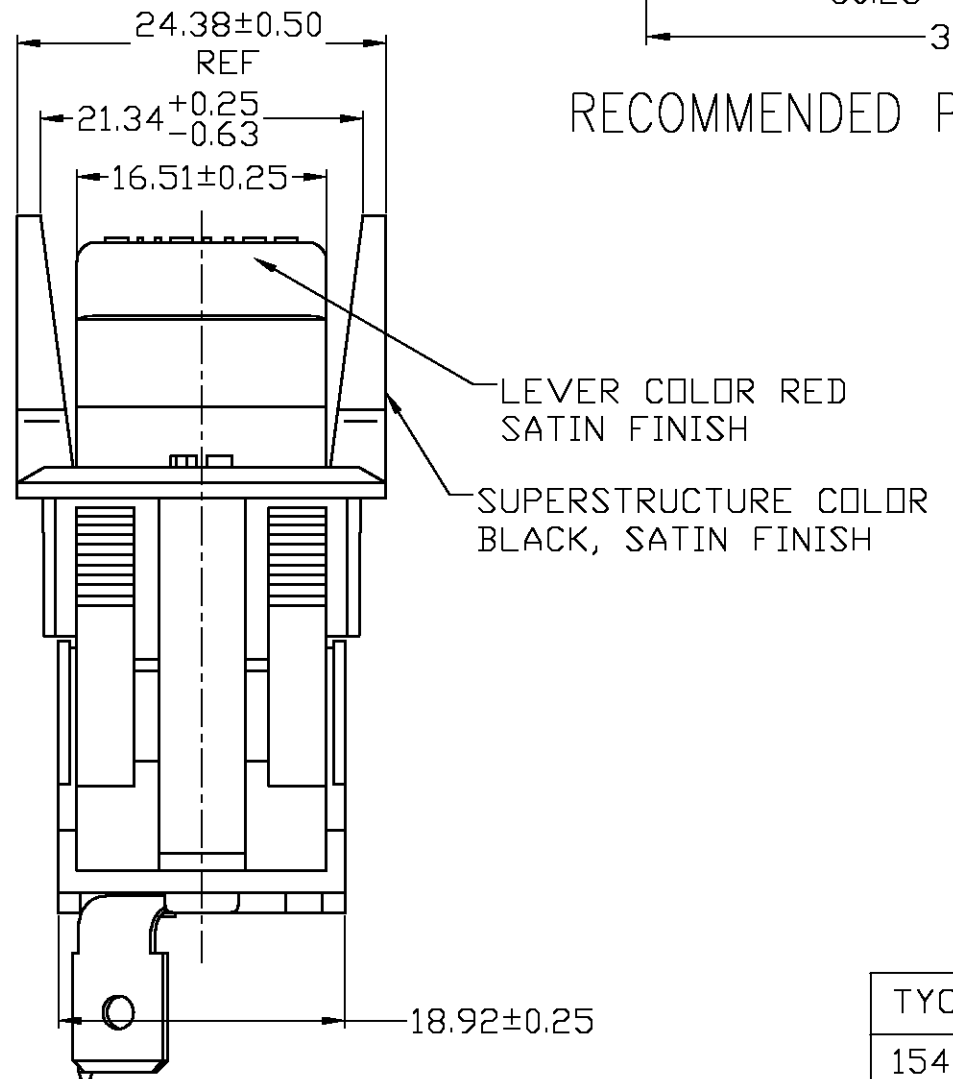
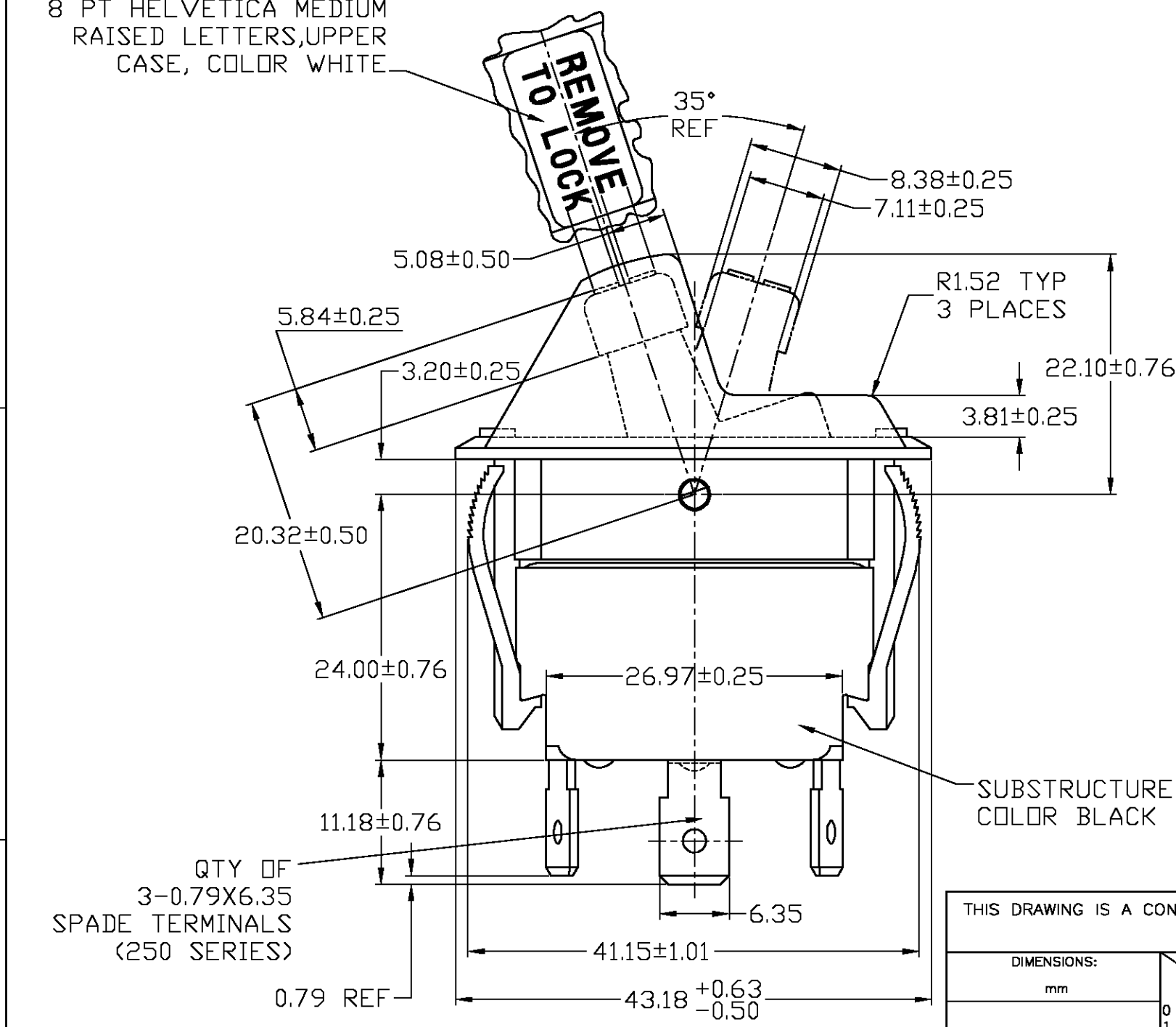
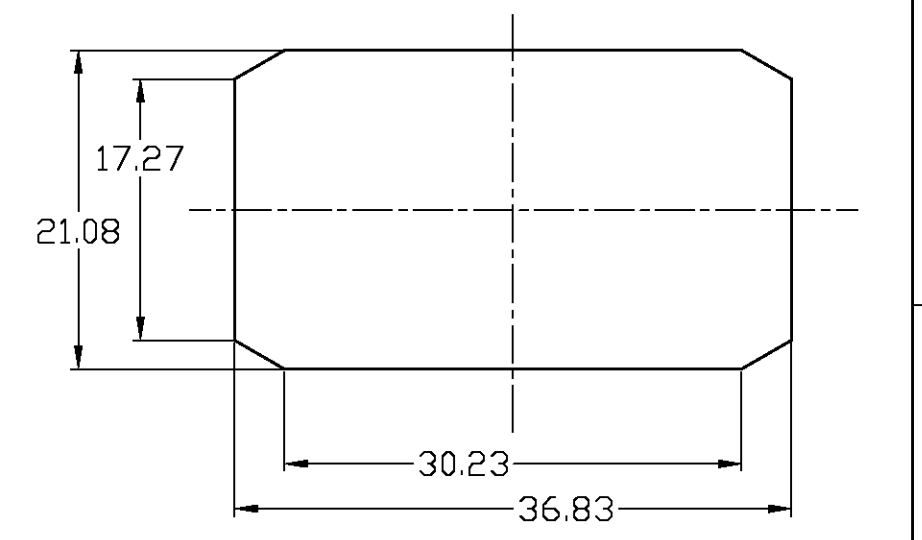
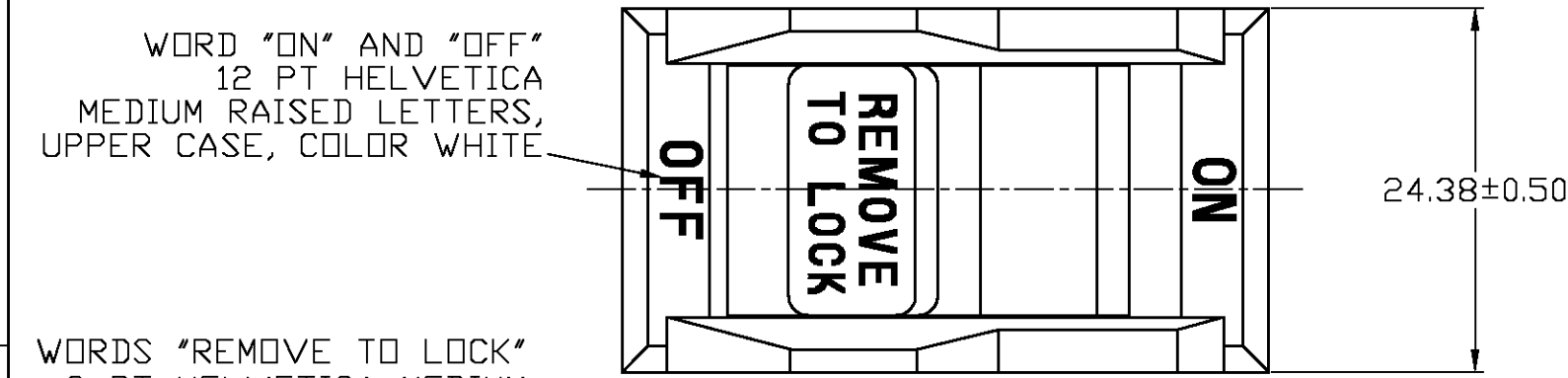


	90-6406
TYCO P/N	ARAB NO.
1541150-2	8166K21

THIS DRAWING IS A CONTROLLED DOCUMENT.		DWN N.WANG 28APR04	Tyco Electronics Corporation Shanghai, CHINA													
DIMENSIONS: mm		CHK C.YUE 28APR04														
TOLERANCES UNLESS OTHERWISE SPECIFIED:		APVD M.SHINDO 28APR04	NAME SELF-LOCKING ROCKER SWITCH (SAFETY SWITCH) WITH PALM GUARD													
<table border="1"> <tr><td>0 PLC</td><td>± -</td></tr> <tr><td>1 PLC</td><td>± -</td></tr> <tr><td>2 PLC</td><td>± -</td></tr> <tr><td>3 PLC</td><td>± -</td></tr> <tr><td>4 PLC</td><td>± -</td></tr> <tr><td>ANGLES</td><td>± -</td></tr> </table>		0 PLC	± -	1 PLC	± -	2 PLC	± -	3 PLC	± -	4 PLC	± -	ANGLES	± -	PRODUCT SPEC	20A 125-277VAC, 2 HP 250VAC, 1HP 125VAC, DPST	
0 PLC	± -															
1 PLC	± -															
2 PLC	± -															
3 PLC	± -															
4 PLC	± -															
ANGLES	± -															
MATERIAL		APPLICATION SPEC	SIZE	RESTRICTED TO												
FINISH		WEIGHT	A3 00779	—												
CUSTOMER DRAWING			DRAWING NO C-1541150	SCALE												
			—	SHEET 2 OF 8												
				REV C												

THIS DRAWING IS UNPUBLISHED. RELEASED FOR PUBLICATION
 © COPYRIGHT BY TYCO ELECTRONICS CORPORATION. ALL RIGHTS RESERVED.

LOC	DIST	REVISIONS			
P	LTR	DESCRIPTION	DATE	DWN	APVD
ES	-	SEE SHEET 1	-	-	-

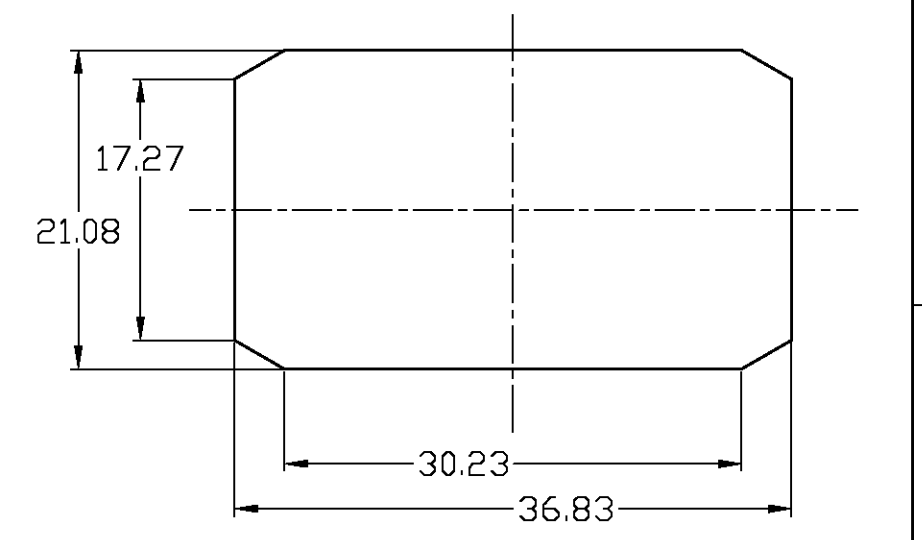
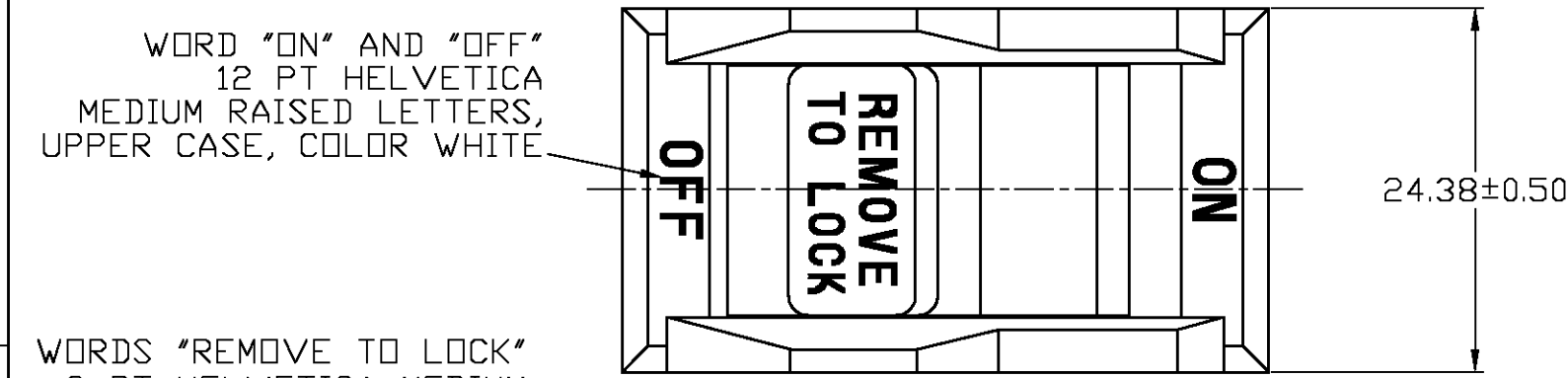


	90-6406
TYCO P/N	ARAB NO.
1541150-4	8166K24

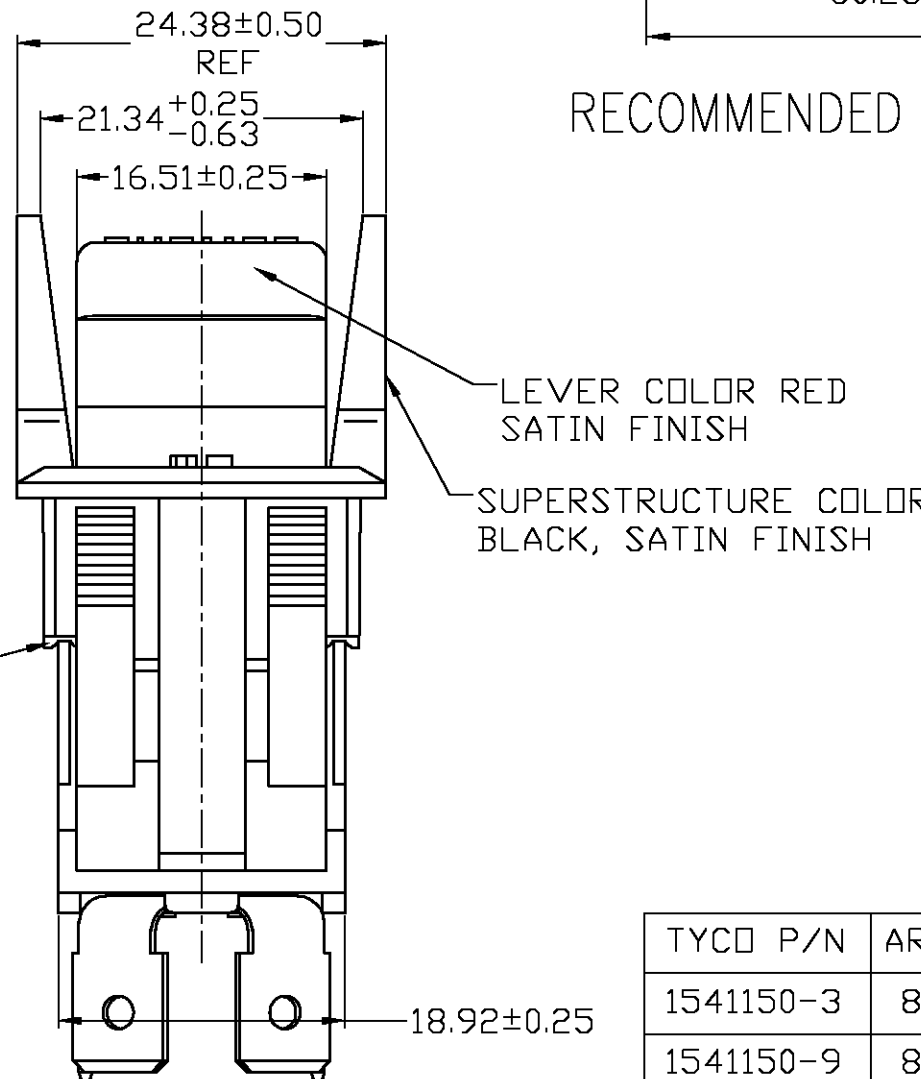
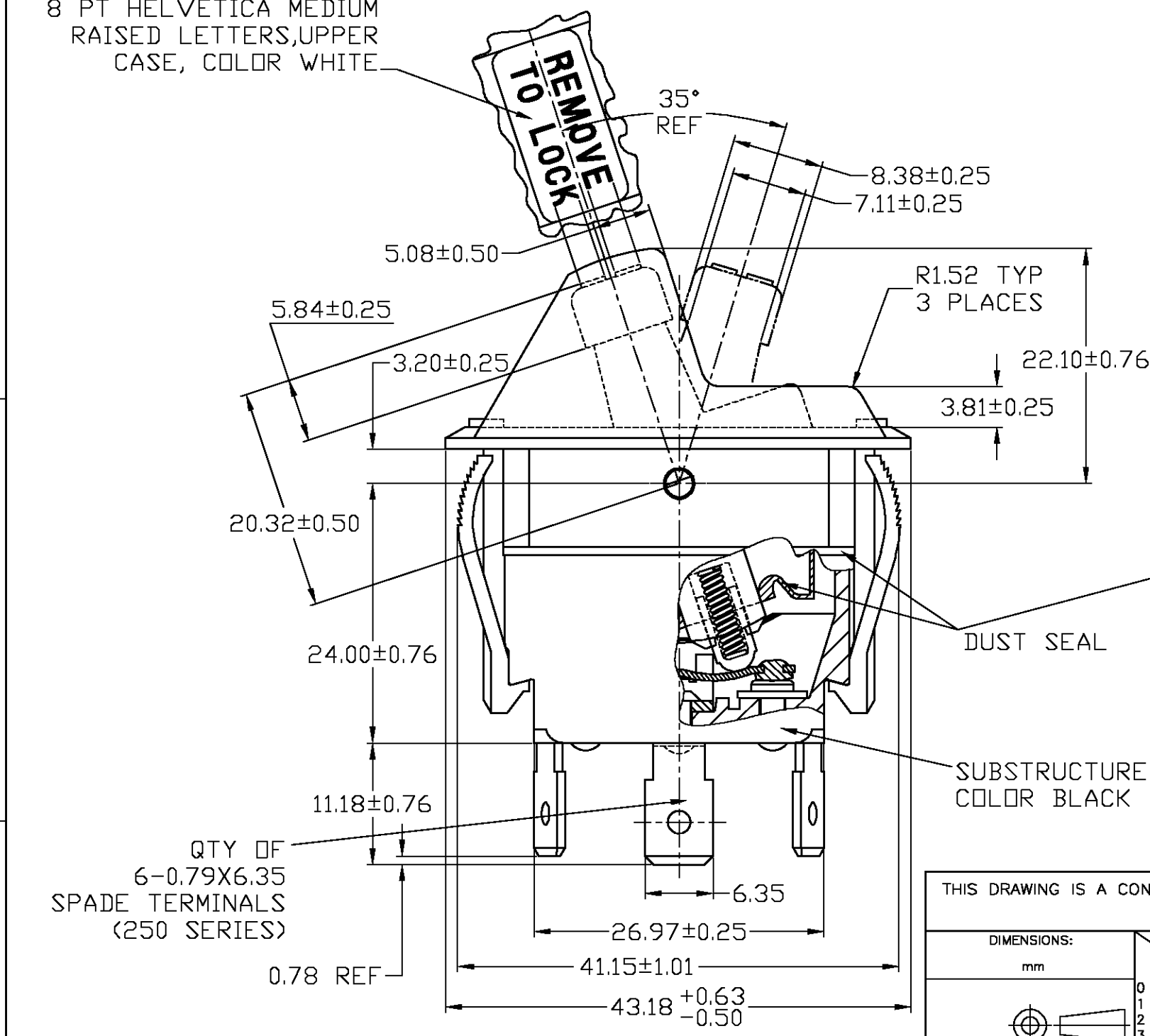
THIS DRAWING IS A CONTROLLED DOCUMENT.		DWN N.WANG 28APR04	 Tyco Electronics Corporation Shanghai, CHINA
DIMENSIONS: mm		CHK C.YUE 28APR04	
		APVD M.SHINDO 28APR04	
TOLERANCES UNLESS OTHERWISE SPECIFIED: 0 PLC ± - 1 PLC ± - 2 PLC ± - 3 PLC ± - 4 PLC ± - ANGLES ± -		NAME PRODUCT SPEC APPLICATION SPEC WEIGHT	
MATERIAL	FINISH	CUSTOMER DRAWING	Tyco Electronics Corporation Shanghai, CHINA SELF-LOCKING ROCKER SWITCH (SAFETY SWITCH) WITH PALM GUARD 20A 125-277VAC, 2 HP 250VAC, 1HP 125VAC, SPDT SIZE A3 CAGE CODE 00779 DRAWING NO. C-1541150 RESTRICTED TO SCALE - SHEET 3 OF 8 REV C

THIS DRAWING IS UNPUBLISHED. RELEASED FOR PUBLICATION
 © COPYRIGHT BY TYCO ELECTRONICS CORPORATION. ALL RIGHTS RESERVED.

LOC	DIST	REVISIONS			
P	LTR	DESCRIPTION	DATE	DWN	APVD
ES	—	SEE SHEET 1	—	—	—



RECOMMENDED PANEL OPENING

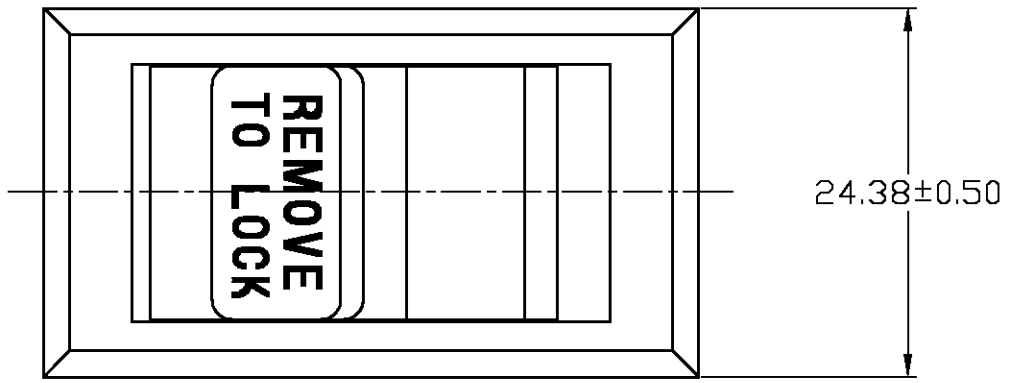


		90-6406
TYCO P/N	ARAB NO.	DUST SEAL
1541150-3	8166K22	NO
1541150-9	8166K29	YES

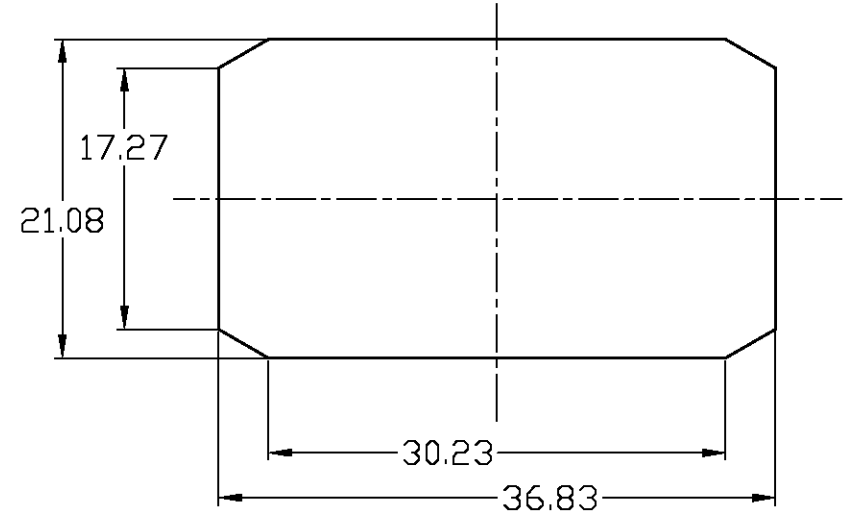
THIS DRAWING IS A CONTROLLED DOCUMENT.		DWN N.WANG 28APR04	Tyco Electronics Corporation Shanghai, CHINA													
DIMENSIONS: mm		CHK C.YUE 28APR04														
TOLERANCES UNLESS OTHERWISE SPECIFIED:		APVD M.SHINDO 28APR04	NAME SELF-LOCKING ROCKER SWITCH (SAFETY SWITCH) WITH PALM GUARD													
<table border="1"> <tr><td>0 PLC</td><td>± -</td></tr> <tr><td>1 PLC</td><td>± -</td></tr> <tr><td>2 PLC</td><td>± -</td></tr> <tr><td>3 PLC</td><td>± -</td></tr> <tr><td>4 PLC</td><td>± -</td></tr> <tr><td>ANGLES</td><td>± -</td></tr> </table>		0 PLC	± -	1 PLC	± -	2 PLC	± -	3 PLC	± -	4 PLC	± -	ANGLES	± -	PRODUCT SPEC	20A 125-277VAC, 2 HP 250VAC, 1HP 125VAC, DPDT	
0 PLC	± -															
1 PLC	± -															
2 PLC	± -															
3 PLC	± -															
4 PLC	± -															
ANGLES	± -															
MATERIAL		APPLICATION SPEC	SIZE	RESTRICTED TO												
FINISH		WEIGHT	A3 00779	—												
CUSTOMER DRAWING			DRAWING NO C-1541150	SCALE												
			—	SHEET 4 OF 8												
				REV C												

THIS DRAWING IS UNPUBLISHED. RELEASED FOR PUBLICATION
 © COPYRIGHT BY TYCO ELECTRONICS CORPORATION. ALL RIGHTS RESERVED.

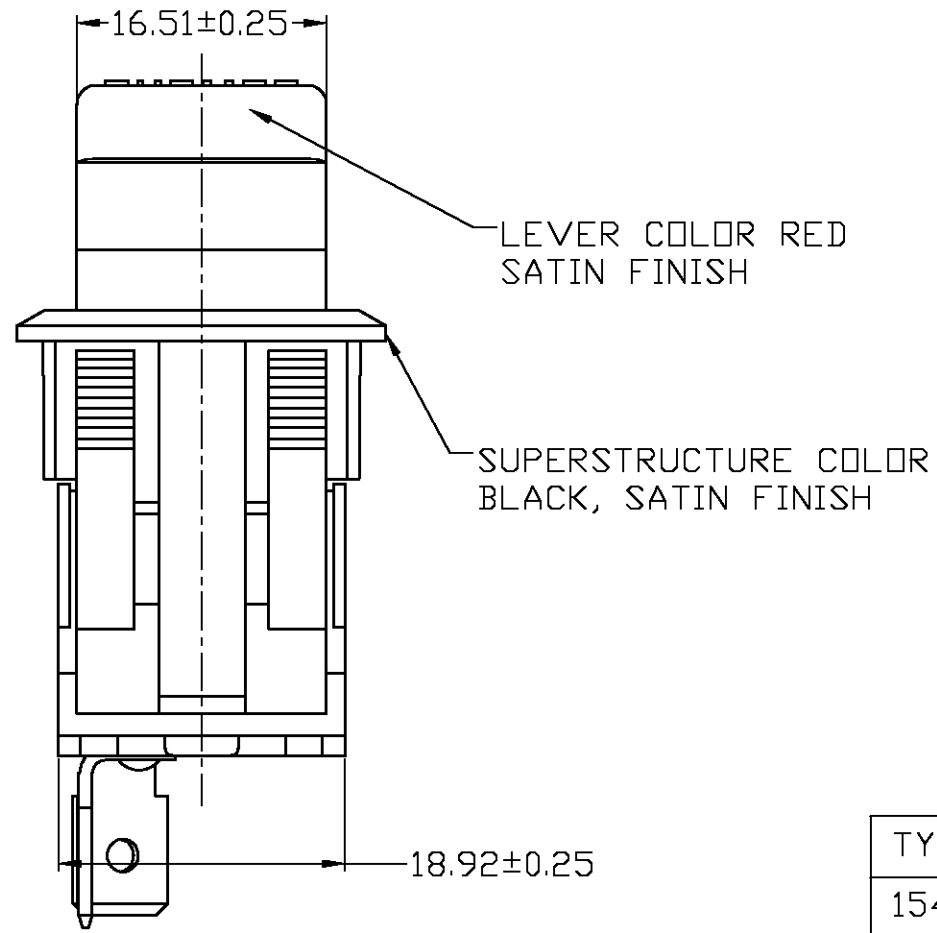
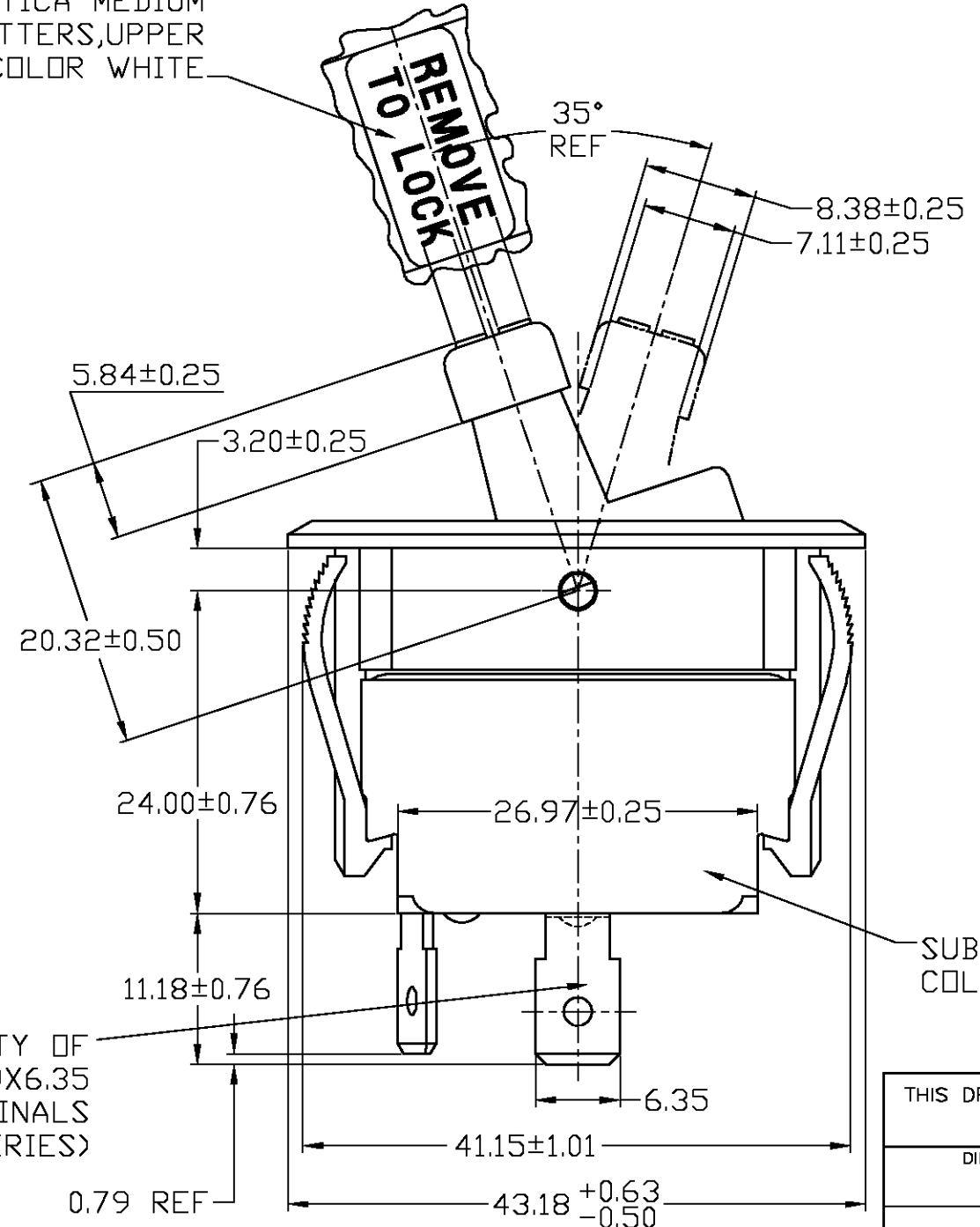
LOC	DIST	REVISIONS			
P	LTR	DESCRIPTION	DATE	DWN	APVD
ES	—	SEE SHEET 1	—	—	—



WORDS "REMOVE TO LOCK"
 8 PT HELVETICA MEDIUM
 RAISED LETTERS, UPPER
 CASE, COLOR WHITE



RECOMMENDED PANEL OPENING



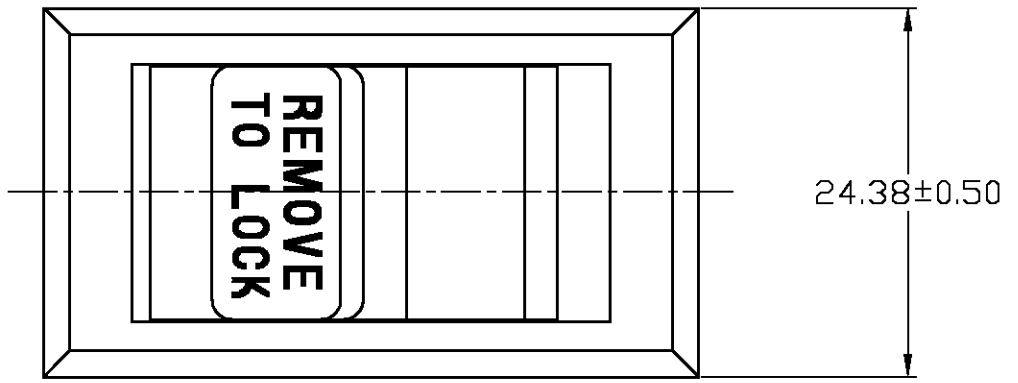
SUBSTRUCTURE
 COLOR BLACK

	90-6406
TYCO P/N	ARAB NO.
1541150-7	8166K27

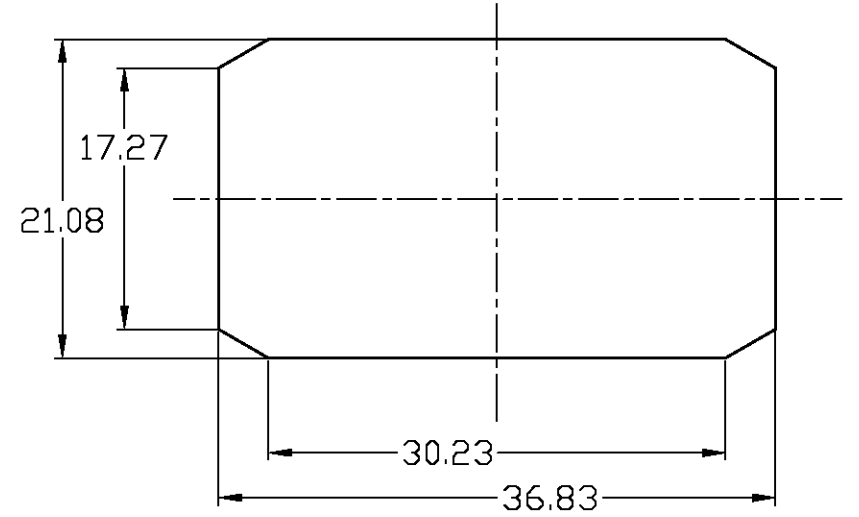
THIS DRAWING IS A CONTROLLED DOCUMENT.		DWN N.WANG 28APR04	Tyco Electronics Corporation Shanghai, CHINA	
DIMENSIONS: mm		CHK C.YUE 28APR04		
TOLERANCES UNLESS OTHERWISE SPECIFIED:		APVD M.SHINDO 28APR04	NAME SELF-LOCKING ROCKER SWITCH (SAFETY SWITCH) WITHOUT PALM GUARD	
0 PLC ± - 1 PLC ± - 2 PLC ± - 3 PLC ± - 4 PLC ± - ANGLES ± -		PRODUCT SPEC	20A 125-277VAC, 2 HP 250VAC, 1HP 125VAC, SPST	
MATERIAL		APPLICATION SPEC	SIZE	RESTRICTED TO
FINISH		WEIGHT	A3 00779	—
		CUSTOMER DRAWING	DRAWING NO C-1541150	
		SCALE	SHEET 5 OF 8	REV C

THIS DRAWING IS UNPUBLISHED. RELEASED FOR PUBLICATION
 © COPYRIGHT BY TYCO ELECTRONICS CORPORATION. ALL RIGHTS RESERVED.

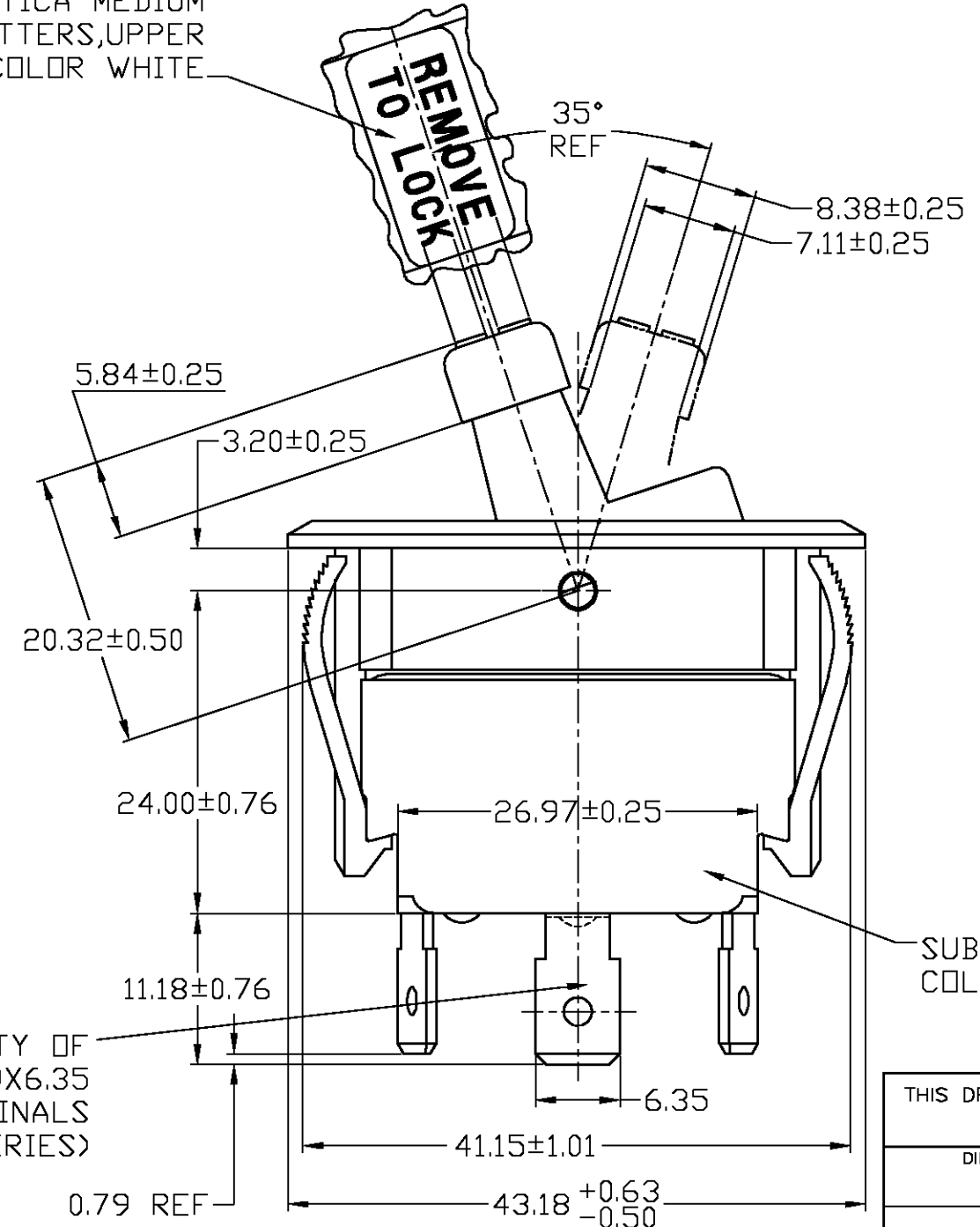
LOC	DIST	REVISIONS			
P	LTR	DESCRIPTION	DATE	DWN	APVD
ES	—	SEE SHEET 1	—	—	—



WORDS "REMOVE TO LOCK"
 8 PT HELVETICA MEDIUM
 RAISED LETTERS, UPPER
 CASE, COLOR WHITE

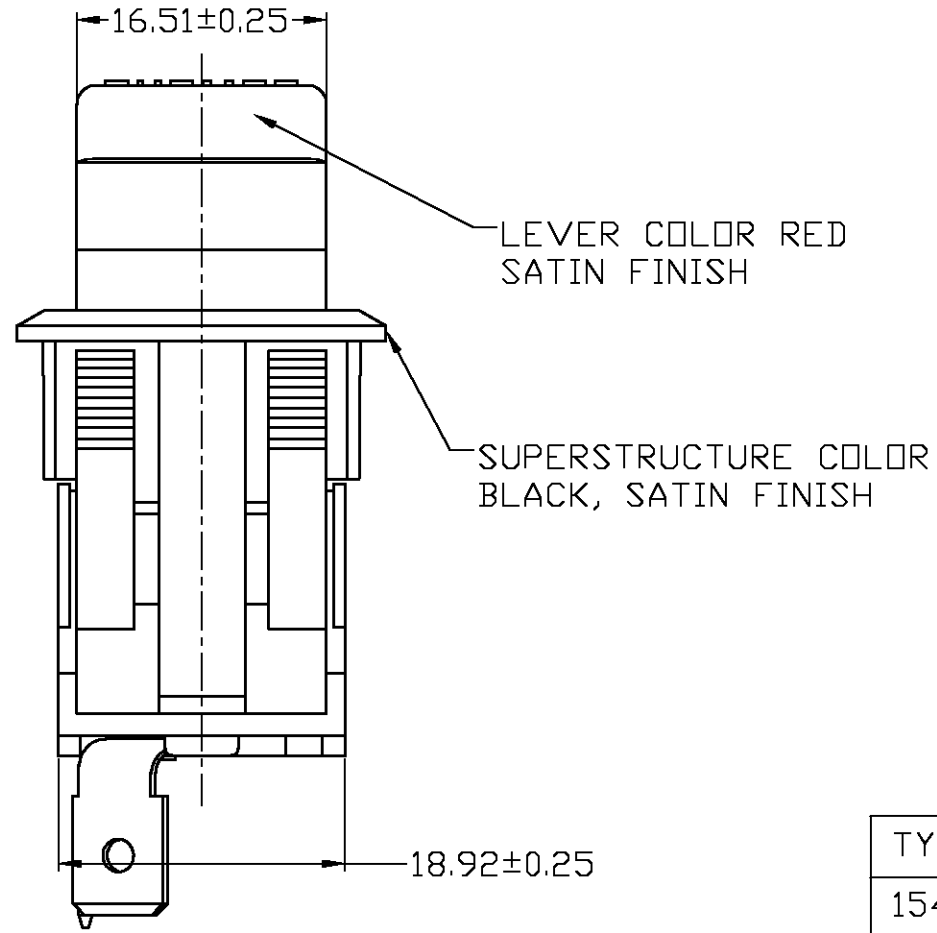


RECOMMENDED PANEL OPENING



QTY OF
 3-0.79X6.35
 SPADE TERMINALS
 (250 SERIES)

SUBSTRUCTURE
 COLOR BLACK

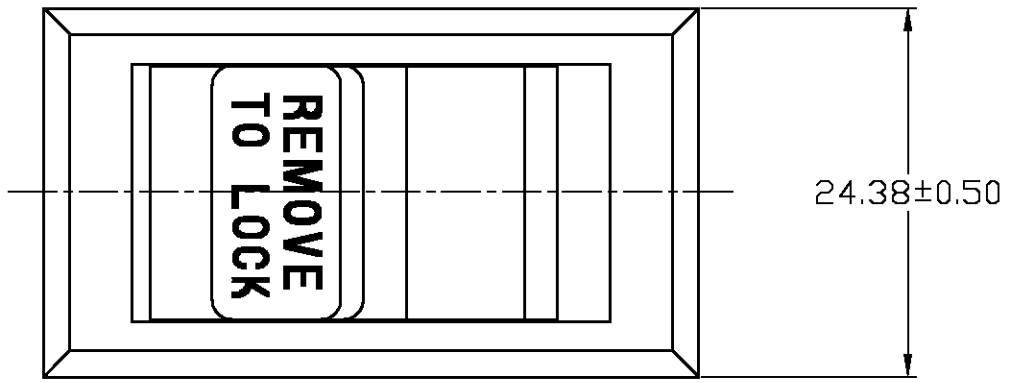


	90-6406
TYCO P/N	ARAB NO.
1541150-8	8166K28

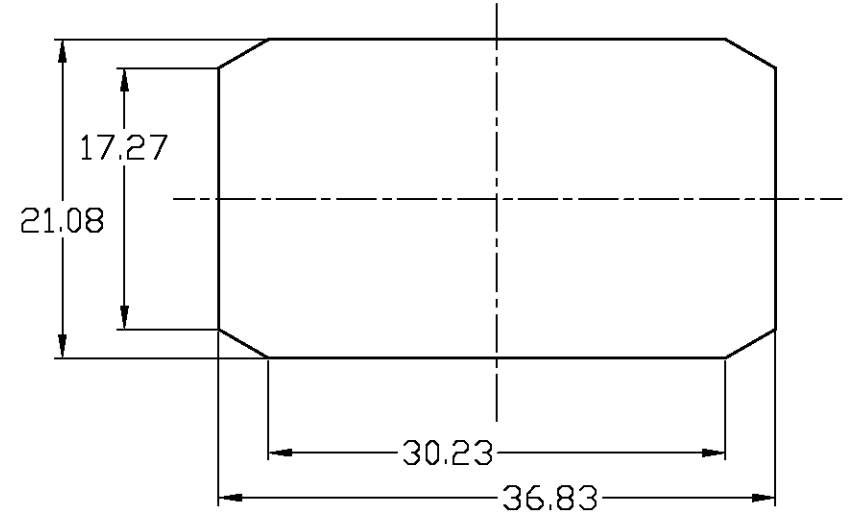
THIS DRAWING IS A CONTROLLED DOCUMENT.		DWN N.WANG 28APR04	Tyco Electronics Corporation Shanghai, CHINA													
DIMENSIONS: mm		CHK C.YUE 28APR04														
TOLERANCES UNLESS OTHERWISE SPECIFIED:		APVD M.SHINDO 28APR04	NAME SELF-LOCKING ROCKER SWITCH (SAFETY SWITCH) WITHOUT PALM GUARD													
<table border="1"> <tr><td>0 PLC</td><td>± -</td></tr> <tr><td>1 PLC</td><td>± -</td></tr> <tr><td>2 PLC</td><td>± -</td></tr> <tr><td>3 PLC</td><td>± -</td></tr> <tr><td>4 PLC</td><td>± -</td></tr> <tr><td>ANGLES</td><td>± -</td></tr> </table>		0 PLC	± -	1 PLC	± -	2 PLC	± -	3 PLC	± -	4 PLC	± -	ANGLES	± -	PRODUCT SPEC	20A 125-277VAC, 2 HP 250VAC, 1HP 125VAC, SPDT	
0 PLC	± -															
1 PLC	± -															
2 PLC	± -															
3 PLC	± -															
4 PLC	± -															
ANGLES	± -															
MATERIAL		APPLICATION SPEC	SIZE	RESTRICTED TO												
FINISH		WEIGHT	A3	—												
		CUSTOMER DRAWING	CAGE CODE	REV												
			00779	C												
			DRAWING NO	SHEET												
			C-1541150	6 OF 8												
			SCALE	REV												
			—	C												

THIS DRAWING IS UNPUBLISHED. RELEASED FOR PUBLICATION
 © COPYRIGHT BY TYCO ELECTRONICS CORPORATION. ALL RIGHTS RESERVED.

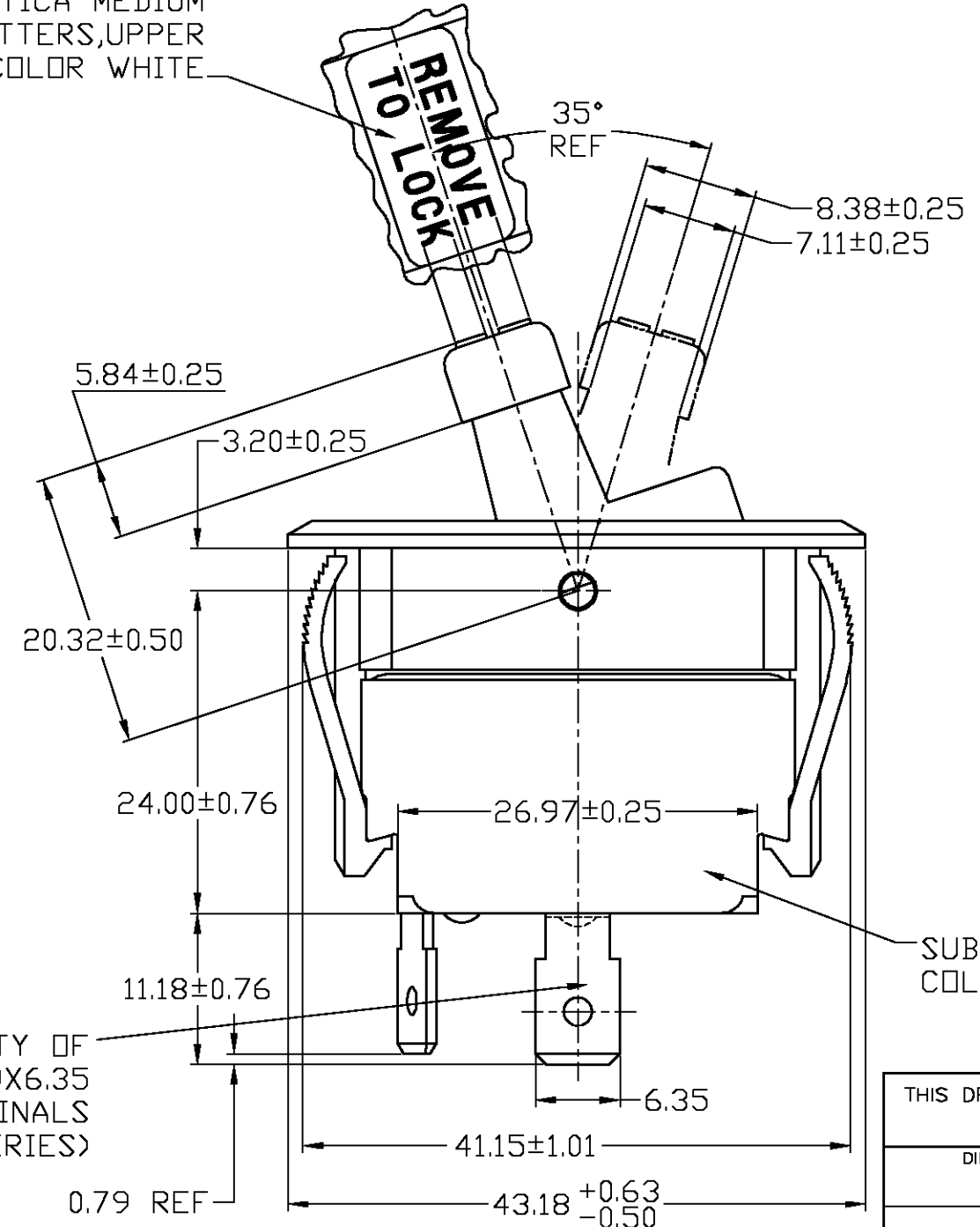
LOC	DIST	REVISIONS			
P	LTR	DESCRIPTION	DATE	DWN	APVD
ES	—	SEE SHEET 1	—	—	—



WORDS "REMOVE TO LOCK"
 8 PT HELVETICA MEDIUM
 RAISED LETTERS, UPPER
 CASE, COLOR WHITE

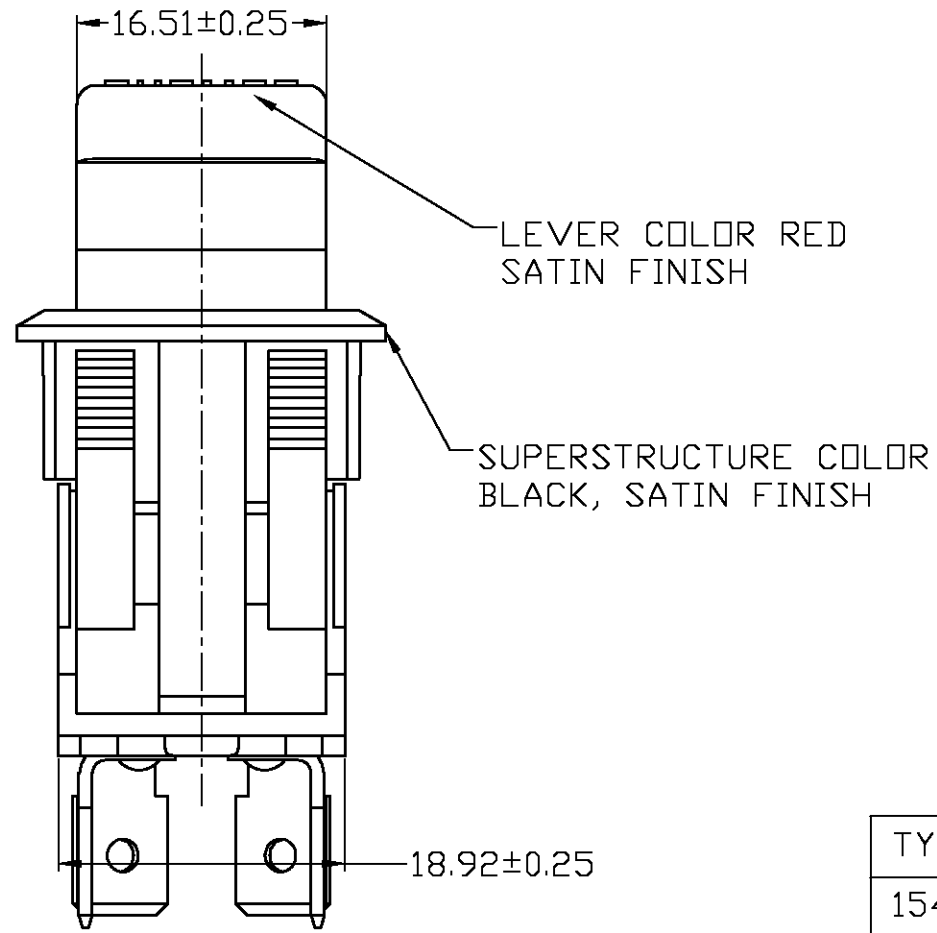


RECOMMENDED PANEL OPENING



QTY OF
 4-0.79X6.35
 SPADE TERMINALS
 (250 SERIES)

SUBSTRUCTURE
 COLOR BLACK



LEVER COLOR RED
 SATIN FINISH

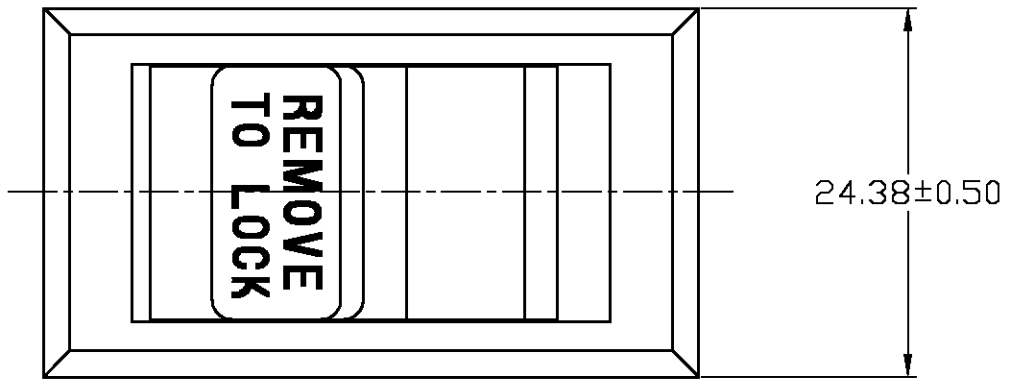
SUPERSTRUCTURE COLOR
 BLACK, SATIN FINISH

	90-6406
TYCO P/N	ARAB NO.
1541150-5	8166K25

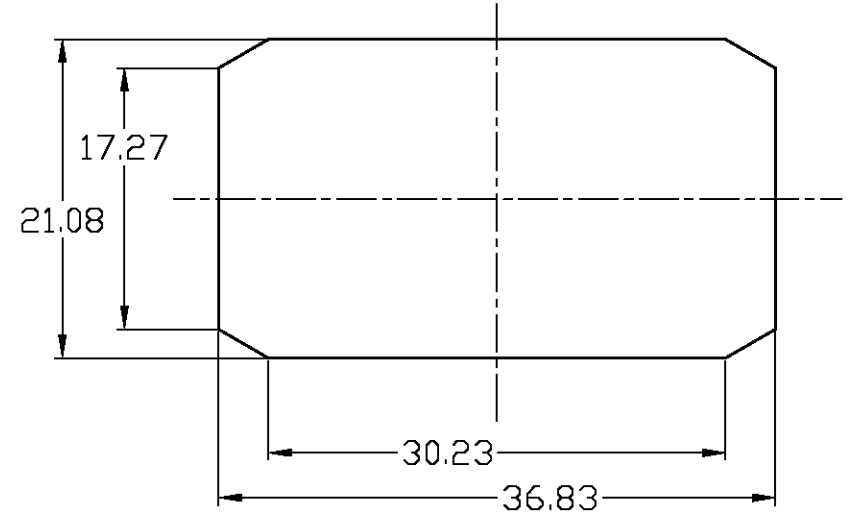
THIS DRAWING IS A CONTROLLED DOCUMENT.		DWN N.WANG 28APR04	Tyco Electronics Corporation Shanghai, CHINA													
DIMENSIONS: mm		CHK C.YUE 28APR04														
TOLERANCES UNLESS OTHERWISE SPECIFIED:		APVD M.SHINDO 28APR04	NAME SELF-LOCKING ROCKER SWITCH (SAFETY SWITCH) WITHOUT PALM GUARD													
<table border="1"> <tr><td>0 PLC</td><td>± -</td></tr> <tr><td>1 PLC</td><td>± -</td></tr> <tr><td>2 PLC</td><td>± -</td></tr> <tr><td>3 PLC</td><td>± -</td></tr> <tr><td>4 PLC</td><td>± -</td></tr> <tr><td>ANGLES</td><td>± -</td></tr> </table>		0 PLC	± -	1 PLC	± -	2 PLC	± -	3 PLC	± -	4 PLC	± -	ANGLES	± -	PRODUCT SPEC	20A 125-277VAC, 2 HP 250VAC, 1HP 125VAC, DPST	
0 PLC	± -															
1 PLC	± -															
2 PLC	± -															
3 PLC	± -															
4 PLC	± -															
ANGLES	± -															
MATERIAL		APPLICATION SPEC	SIZE	RESTRICTED TO												
FINISH		WEIGHT	A3 00779	—												
		CUSTOMER DRAWING	DRAWING NO C-1541150													
		SCALE	SHEET 7 OF 8	REV C												

THIS DRAWING IS UNPUBLISHED. RELEASED FOR PUBLICATION
 © COPYRIGHT BY TYCO ELECTRONICS CORPORATION. ALL RIGHTS RESERVED.

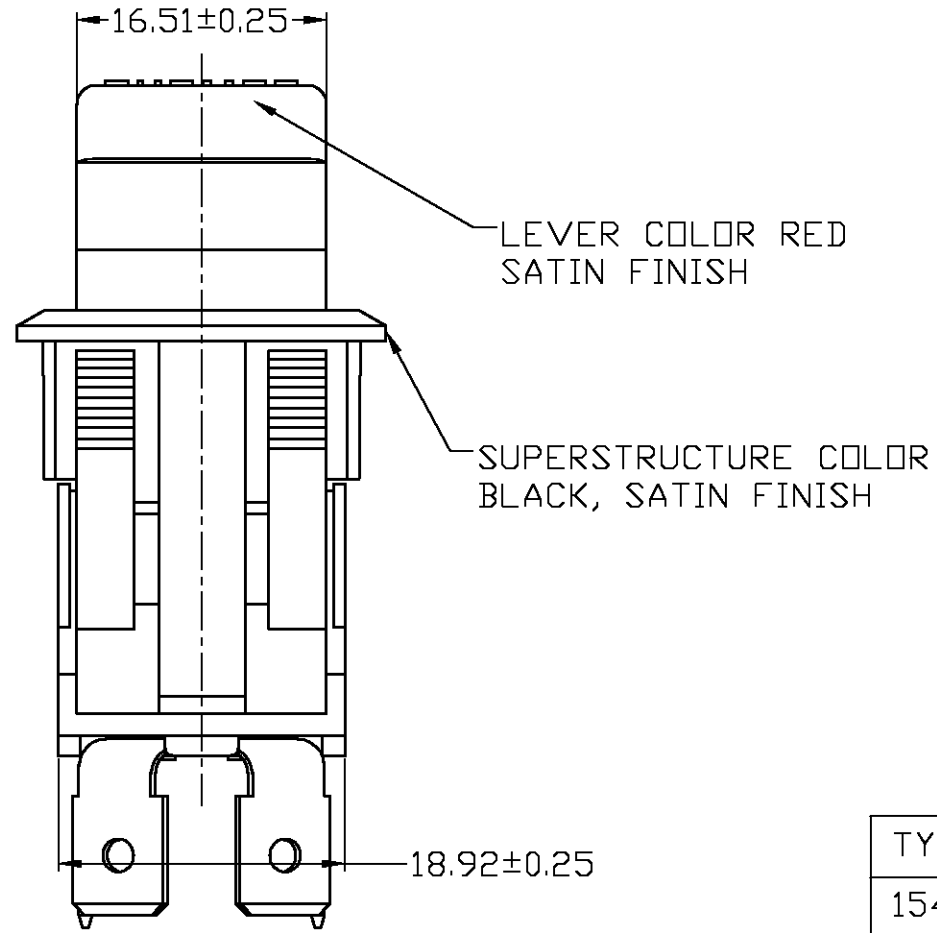
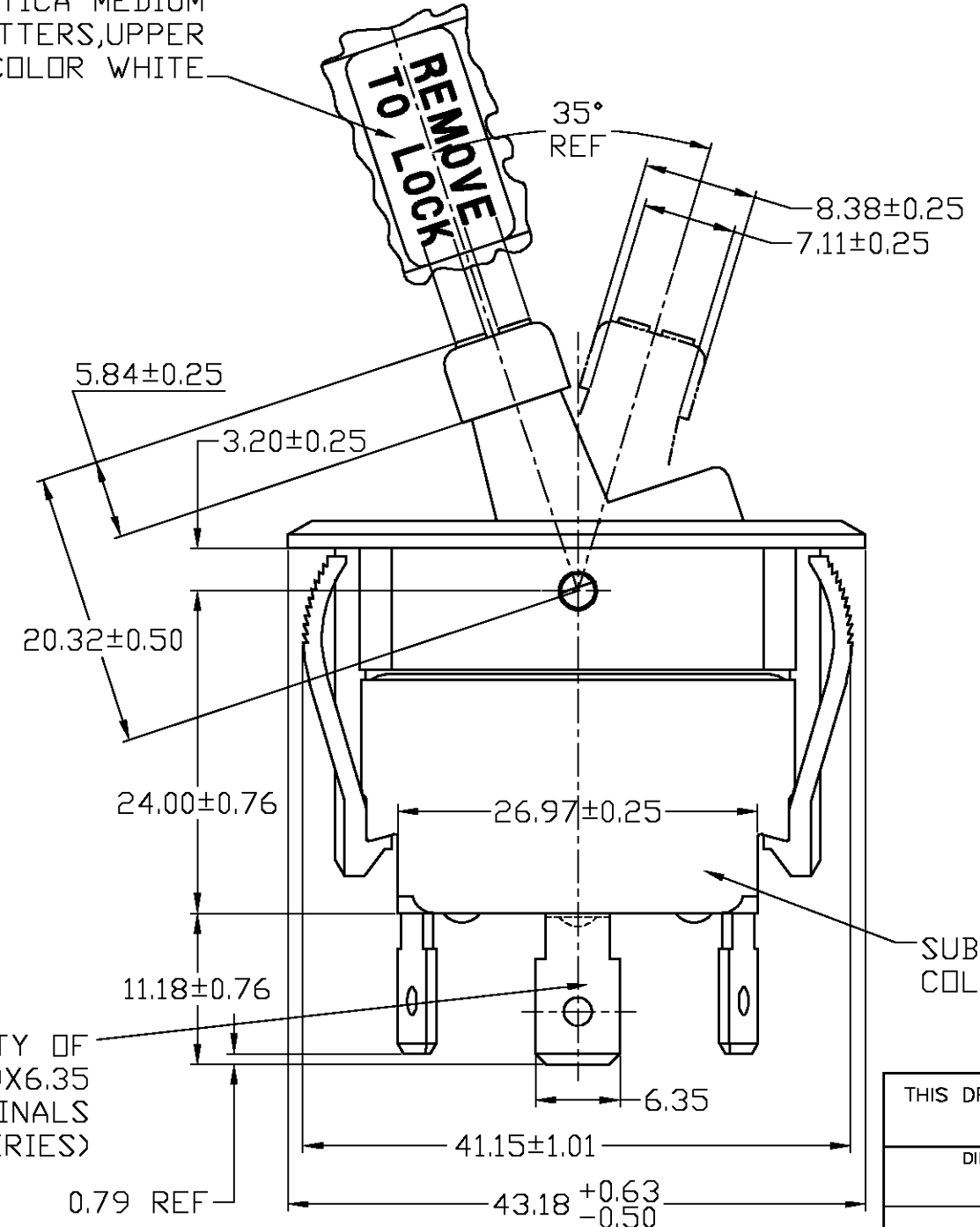
LOC	DIST	REVISIONS			
P	LTR	DESCRIPTION	DATE	DWN	APVD
ES	-	SEE SHEET 1	-	-	-



WORDS "REMOVE TO LOCK"
 8 PT HELVETICA MEDIUM
 RAISED LETTERS, UPPER
 CASE, COLOR WHITE



RECOMMENDED PANEL OPENING



THIS DRAWING IS A CONTROLLED DOCUMENT.		DWN N.WANG 28APR04	Tyco Electronics Corporation Shanghai, CHINA	
DIMENSIONS: mm		CHK C.YUE 28APR04	NAME SELF-LOCKING ROCKER SWITCH (SAFETY SWITCH) WITHOUT PALM GUARD	
TOLERANCES UNLESS OTHERWISE SPECIFIED:		APVD M.SHINDO 28APR04	20A 125-277VAC, 2 HP 250VAC, 1HP 125VAC, DPDT	
0 PLC ± -		PRODUCT SPEC	SIZE	CAGE CODE
1 PLC ± -		APPLICATION SPEC	A3	00779
2 PLC ± -		WEIGHT	DRAWING NO C-1541150	
3 PLC ± -		CUSTOMER DRAWING	RESTRICTED TO	
4 PLC ± -		SCALE	SHEET 8 OF 8	
ANGLES ± -		REV	C	
FINISH		REV		

90-6406	TYCO P/N	ARAB NO.
1541150-6	8166K26	