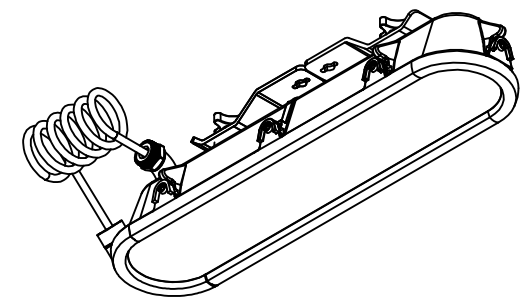
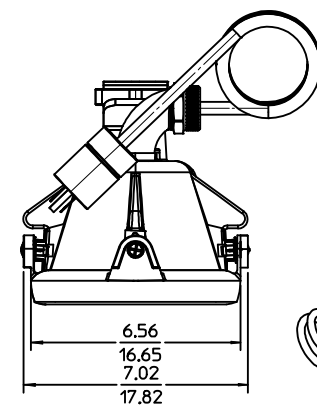
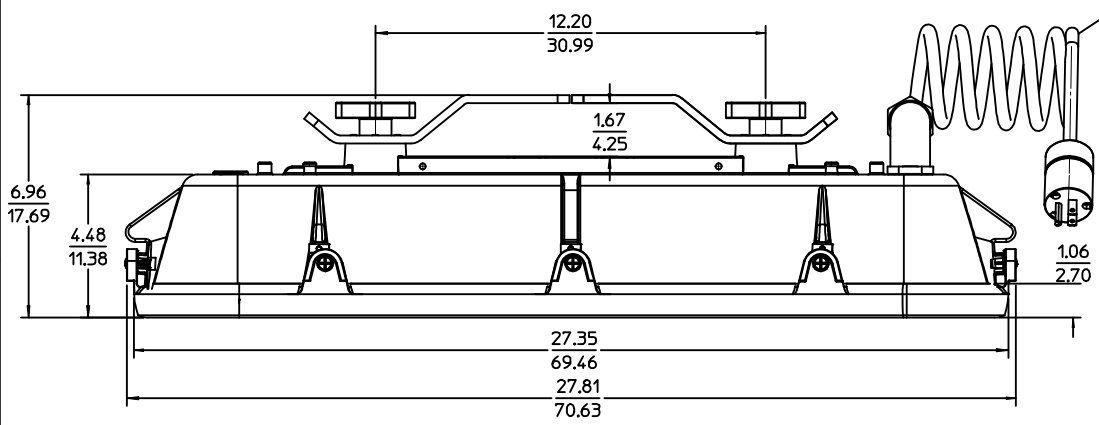


SAP PART #	ENGRING PART #	DESCRIPTION
1302430001	1075-HZ25A143	25' #14-3 SOOW, 5-15 WTT PLUG/CON.
1302430002	1075-HZ2NK143F	3' #14-3 SOOW FLYING LEADS
1302430003	1075-HZ2NK123F	3' #12-3 SOOW FLYING LEADS
1302430004	DELETED	
1302430005	1075-HZ25B143	X50' #14-3 SOOW, 5-15 WTT PLUG/CON.
1302430006	NOT USED	
1302430007	1075-HZ2XA143F	25' #14-3 SOOW, XP PLUG/CON.
1302430008	1075-HZ2XB143F	50' #14-3 SOOW, XP PLUG/CON.
1302430009	1075-HZ2XK123F	3' #12-3 SOOW, XP PLUG/CON.
1302430011	1075-HZ2F003123	3' #12-3 SOOW, FLYING INPUT
1302430013	1075-HZ2X050143	50' #14-3 SOOW, XP PLUG

PLUG (WHEN SUPPLIED) TO BE NEMA 5-15 SUITABLE FOR SPECIFIC LOCATION

CORD TO BE 3 CONDUCTOR #16-3, #14-3 OR #12-3 SOOW RATED CABLE.



NOTES:

1. FIXTURE APPROVED FOR USE IN CLASS I DIVISION II, GROUPS B, C, & D HAZARDOUS LOCATIONS.
2. TEMPERATURE CODE: TA3 (180 C)
3. MAXIMUM/MINIMUM AMBIENT TEMPERATES: +40 C, -20 C.
4. MATERIALS:
 - HOUSING-CAST ALUMINUM
 - LENS-POLYCARBONATE, WATER CLEAR, .125"
 - LENS GASKET-SILICONE, RED
 - BALLAST-ELECTRONIC, SUITABLE FOR 2-55 WATT BIAZ LAMPS, RATED 90 C.
 - LAMPS- (2) PL-L55/841/B FLUORESCENT.
 - LAMP HOLDER-SILICONE, RED.
 - REFLECTOR-POLISHED ALUMINUM, ALZAK FINISH.
 - 1/4 TURN FASTENERS-(8) CASE HARDENED STEEL BODY ZINC PLATE WITH BLACK CHROMATE & STAINLESS STEEL SPRING.
5. PRODUCT SPECIFICATION- PS-1300243-001

CHANGE CORD TO SOOW EC NO: JFG2013-1372 DRAWN:PSWAGEL 2013/03/01 CHKD:KNEELAN 2013/03/15 APPR:JMURPHY 2013/04/29	DESCRIPTION	QUALITY SYMBOLS	GENERAL TOLERANCES (UNLESS SPECIFIED)	DIMENSION STYLE	SCALE	DESIGN UNITS	THIRD ANGLE PROJECTION													
		$\nabla=0$ $\nabla=0$	<table border="1"> <tr> <th></th> <th>mm</th> <th>INCH</th> </tr> <tr> <td>4 PLACES ±</td> <td>---</td> <td>±</td> </tr> <tr> <td>3 PLACES ±</td> <td>---</td> <td>±.006</td> </tr> <tr> <td>2 PLACES ±</td> <td>0.50</td> <td>±</td> </tr> <tr> <td>1 PLACE ±</td> <td>---</td> <td>±</td> </tr> </table>		mm	INCH	4 PLACES ±	---	±	3 PLACES ±	---	±.006	2 PLACES ±	0.50	±	1 PLACE ±	---	±	IN/MM	1:3
	mm	INCH																		
4 PLACES ±	---	±																		
3 PLACES ±	---	±.006																		
2 PLACES ±	0.50	±																		
1 PLACE ±	---	±																		
REV B	DRAWN BY: MRK CHECKED BY: APPROVED BY: JP DATE: 10/17/08	DRAFT WHERE APPLICABLE MUST REMAIN WITHIN DIMENSIONS	MATERIAL NO. 1302430001	DIMENSION STYLE IN/MM	SCALE 1:3	DESIGN UNITS INCH	TITLE ZONE II SALES DRAWING													
								MOLEX INCORPORATED												
			DOCUMENT NO. SD-130243-001			SHEET NO. 1 OF 1														
THIS DRAWING CONTAINS INFORMATION THAT IS PROPRIETARY TO MOLEX INCORPORATED AND SHOULD NOT BE USED WITHOUT WRITTEN PERMISSION																				