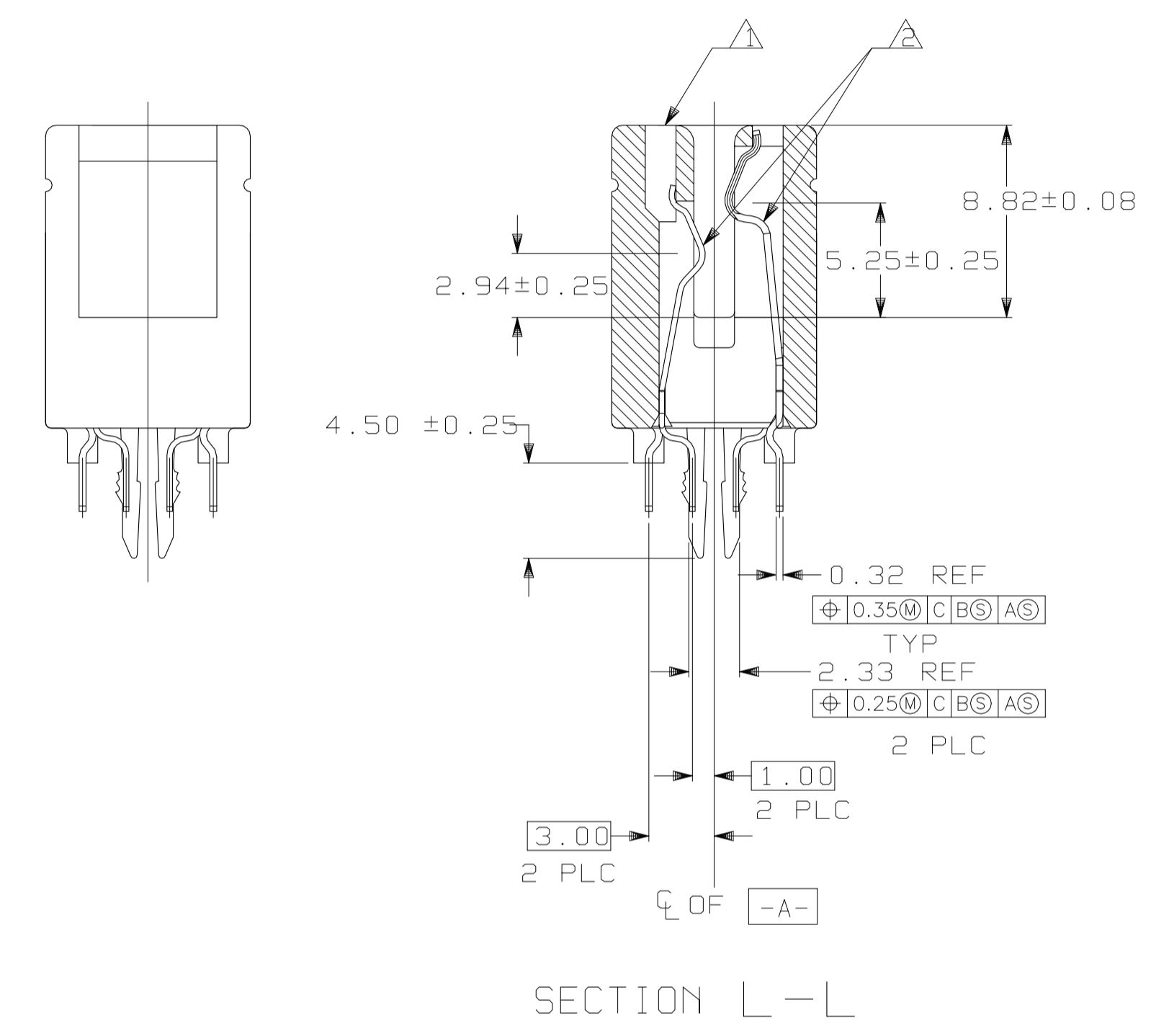
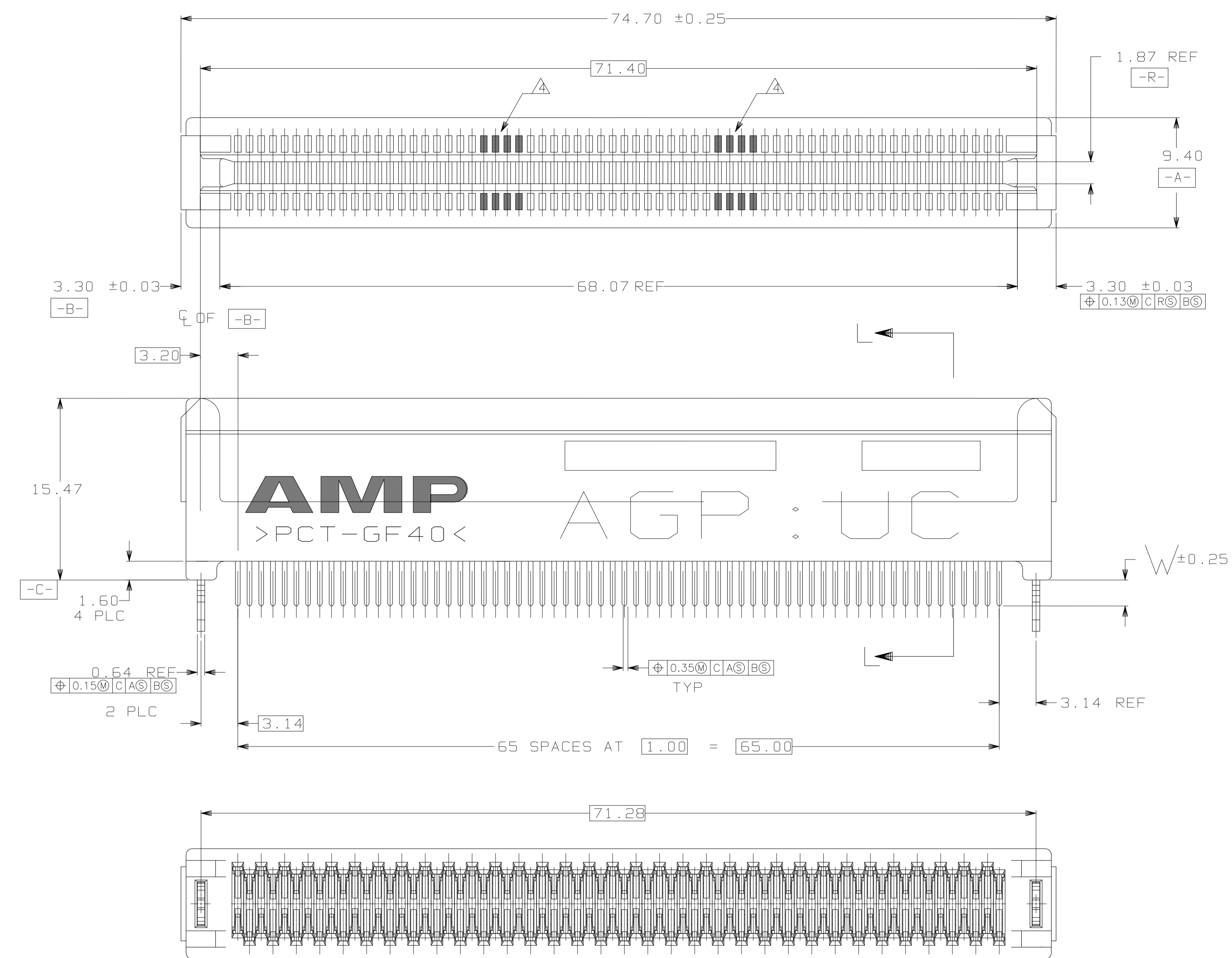
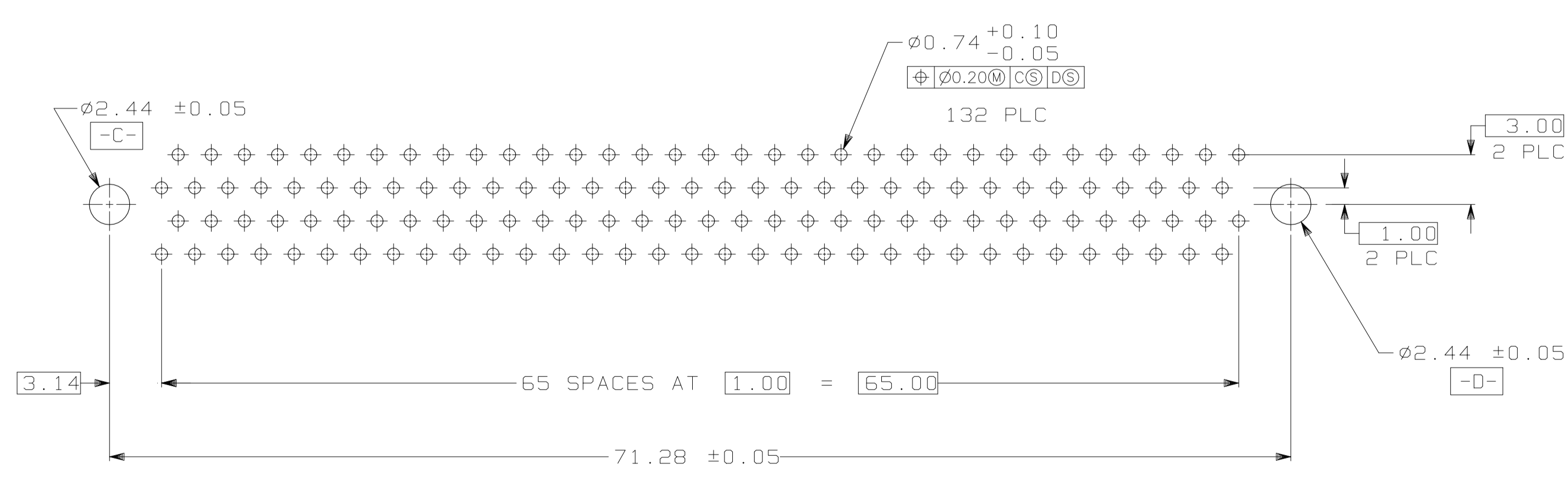


REVISIONS					
P	LTR	DESCRIPTION	DATE	DRN	APVD
A2		REVISED PER ECN-21-119406	11OCT2021	MLU	SH



- △ MATERIAL: HOUSING, THERMOPLASTIC, COLOR: BROWN. CONTACTS, PHOSPHOR BRONZE. HOLD-DOWNS, BRASS.
- △ FINISH: CONTACTS, 1.27 MIN. MICROMETERS NICKEL ALL OVER, 0.38 MIN. MICROMETERS GOLD OVER NICKEL IN CONTACT AREA, 2.54 MIN MICROMETERS TIN OVER NICKEL ON SOLDER TAILS.
- △ REFER TO INTEL ACCELERATED GRAPHICS PORT INTERFACE SPECIFICATION FOR RECOMMENDED MATING PAD PATTERNS FOR AGP 1X, 2X AND 4X BOARDS.
- △ SHADED CONTACT LOCATIONS ARE AT RISK OF DAMAGE DURING MATING AND UNMATING WITH AGP-1X AND AGP-2X/4X CIRCUITS.
- △ FINISH: CONTACTS, 1.27 MIN. MICROMETERS NICKEL ALL OVER, 0.0254-0.0762 MICROMETERS GOLD OVER NICKEL IN CONTACT AREA. 2.54 MIN. MICROMETERS TIN OVER NICKEL ON SOLDER TAILS.
- △ OBSOLETE PARTS: OBSOLETE CIS STREAMLINING PER D.RENAUD/D.SINISI



RECOMMENDED CONNECTOR MOUNTING HOLE PATTERN (CONNECTOR SIDE SHOWN)

6	△	3.18	5145376-6
OBSOLETE	△	2.54	5145376-5
	△	3.18	5145376-3
	△	2.54	5145376-2
OBSOLETE	△	2.16	5145376-1
	PLATING	W	PART NO

THIS DRAWING IS A CONTROLLED DOCUMENT.

DIMENSIONS:	TOLERANCES UNLESS OTHERWISE SPECIFIED:	DIN	23MAR05	STE	TE Connectivity
mm		CAVIN ZHANG	23MAR05	ENOMOTO	ASSEMBLY, 132 POSITION 1mm, CARD EDGE CONNECTOR
0 PLC ± -	1 PLC ± -	STEVEN YAO	23MAR05	PRODUCT SPEC	
2 PLC ± 0.13	3 PLC ± 0.13	ENOMOTO	23MAR05	APPLICATION SPEC	
4 PLC ± -	ANGLES ± 2			SIZE	A1
MATERIAL	FINISH	WEIGHT		CAGE CODE	5145376
△	△△			DRAWING NO	5145376
		CUSTOMER DRAWING		RESTRICTED TO	
				SCALE	1:1
				SHEET	1 of 1
				REV	A2