

# MICRO SWITCH

FREEPORT ILLINOIS, U.S.A  
A DIVISION OF HONEYWELL INC.  
FED. MFG. CODE 91929

# SWITCH - BASIC

CATALOG LISTING

V3-3059

CK-X3565

V3-3059

M

DRAWING NUMBER

ISSUE

X 2

REPLACES

RELEASE NO. PR-15040

CHECK

REVISIONS

A	C074212
D H D	20 JAN 93

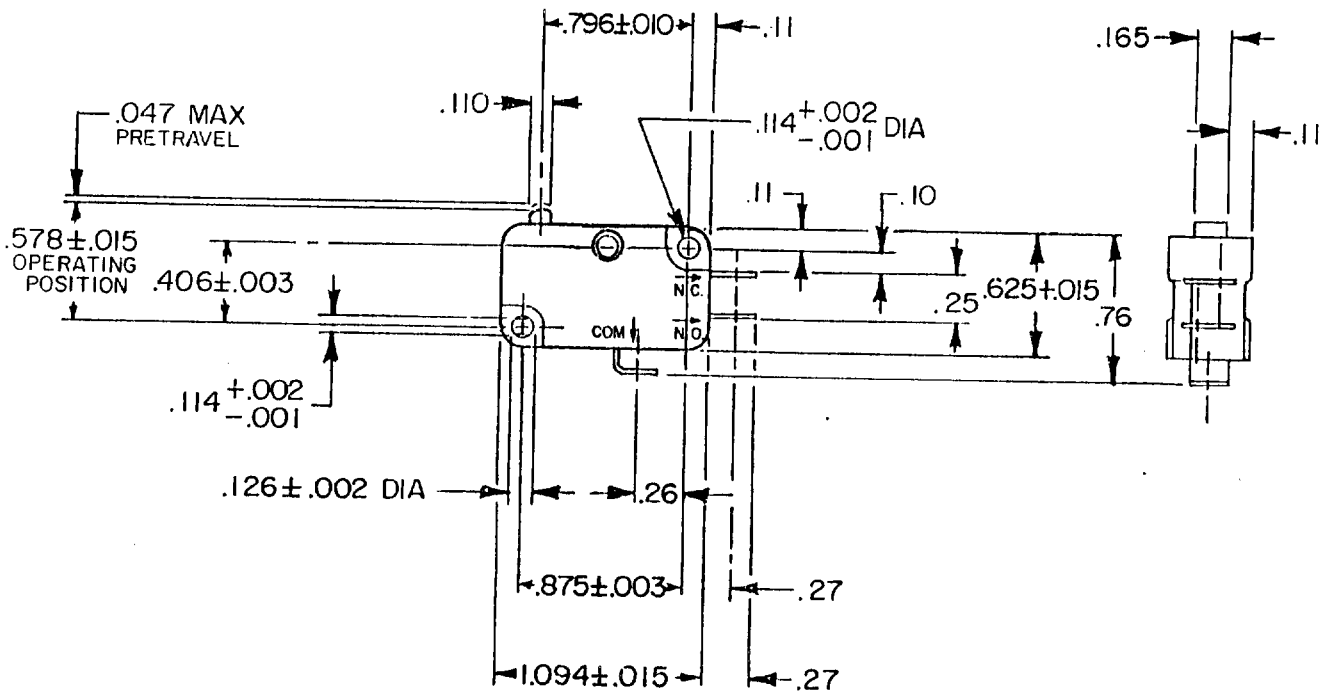
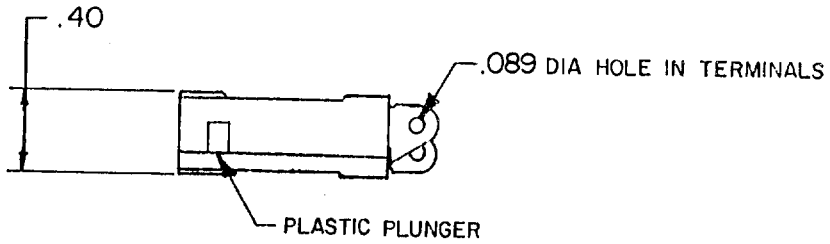
CHECK

FO-5284R-B

DRAWN

T A D 18 SEP 86

CHECK

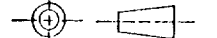


NOTE

1 TERMINALS ARE PLATED FOR SOLDERING

THIS DRAWING COVERS A PROPRIETARY ITEM AND IS THE PROPERTY OF MICRO SWITCH, A DIVISION OF HONEYWELL. THIS DRAWING IS NOT TO BE COPIED OR USED WITHOUT THE APPROVAL OF MICRO SWITCH.

THIRD ANGLE PROJECTION



CHARACTERISTICS

OPERATING FORCE --- 150 GRAM MAX  
RELEASE FORCE --- 15 GRAM MIN  
DIFFERENTIAL TRAVEL --- .002-.010  
OVERTRAVEL --- .050 MIN  
FREE POSITION --- .625 MAX  
RELEASE TRAVEL --- .010 MIN

ELECTRICAL DATA

CONTACT ARRANGEMENT

S P D T

L83  
15.1A 1/2HP 125 OR 250 VAC  
1/2A 125 VDC, 1/4A 250 VDC  
5A 125 VAC "L"

RL ©

SCALE FULL

DO NOT SCALE PRINT

UNLESS OTHERWISE SPECIFIED TOLERANCES ARE

ONE PLACE (.0) ±.030  
TWO PLACE (.00) ±.015  
THREE PLACE (.000) ±.005

ANGLES ±  
RAW MATERIAL - COMMERCIAL STANDARD

DIMENSIONS ARE IN INCHES AND ARE TO BE MET BEFORE PROTECTIVE COATINGS ARE APPLIED

MICRO SWITCH STANDARDS APPLY

WEIGHT .016 LB