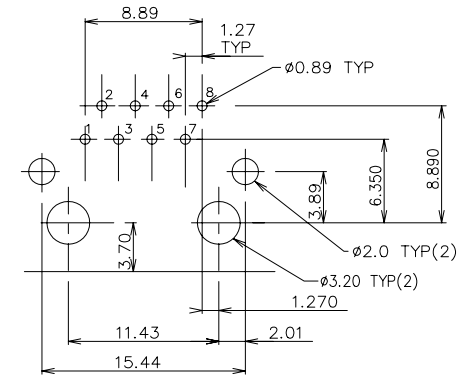


P/N: 10122517- 0 X X X LF
LEAD FREE PRODUCT NO.

NO.	WIRE NUMBERS LOADED
1	ALL

NO.	PLATING
1	15u" GXT
2	30u" GXT
3	50u" GXT
4	15u" Au
5	30u" Au
6	50u" Au

NO.	DIM A
1	3.20±0.50
2	1.50±0.30

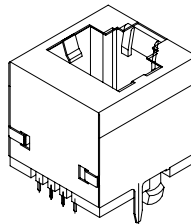
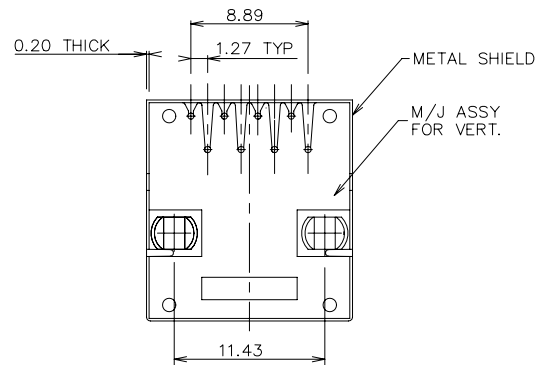
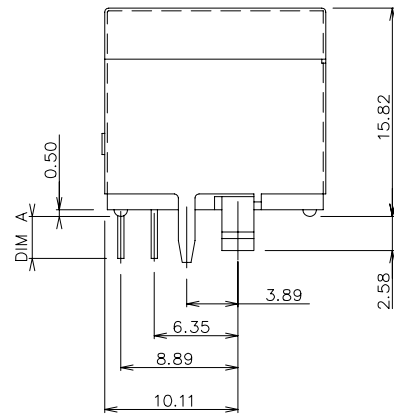
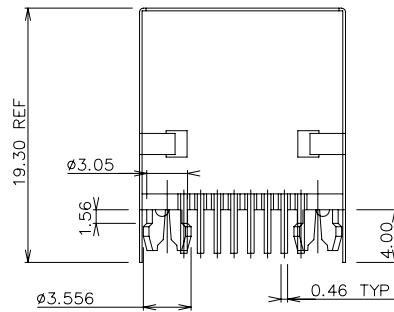


RECOMMENDED PC BOARD LAYOUT

PCB GENERALLY TOLERANCE: ±0.05

NOTES:

- RECOMMENDED P.C.B THICKNESS 1.60 MM EXCEPT -0XX2LF
- 10122517-0XX2LF IS CUSTOMER SPECIAL REQUIREMENT, THERE IS A MYLAR, AND CUSTOMER CHOOSES HIS OWN PCB.
- HOUSING MATERIAL: NYLON UL 94V-0, BLACK.
- CONTACTS: COPPER ALLOY, PLATING SEE P/N.
- METAL SHELL MATERIAL:
COPPER ALLOY, 0.20mm THICK
FINISH: UNDERPLATING WITH 50u" MIN. NICKEL
OVERPLATING WITH 80u" MIN PURE BRIGHT TIN
- PACKAGING: GES-14-351, USE TRAY
- PRODUCT SPEC: GS-12-083.
- IF LF P/N THE PRODUCT MEETS EUROPEAN UNION DIRECTIVES AND OTHER COUNTRY REGULATIONS AS DESCRIBED IN GS-22-008
- IF LF P/N THE HOUSING WILL WITHSTAND EXPOSURE TO 260°C PEAK TEMPERATURE FOR 10 SECONDS IN A WAVE SOLDER APPLICATION WITH A 1.60mm MINIMUM THICK CIRCUIT BOARD
- IF LF P/N PACKAGING MEETS GS-14-920 SPECIFICATION



mat'l. code	surface ISO1302	tolerance ISO1101 ISO406	projection ISO 1101	product family MOD JACK
ltr ecn nodr	date	tolerances unless otherwise specified	mm	title
A	CM 27/08/12	0.X±0.3	mm	8 POS VERT PCB. M/J ASSY
		0.XX±0.15	scale 2.0	SHIELDED, WITHOUT PANEL STOP
		0.XXX±0.05		
dr	CM_SUN	08/27/12	FCI	dwg no
enr	CM_SUN	08/27/12		sheet 1 of 1
chr	Rick.Bian	08/27/12		size
appd	Rick.Bian	08/27/12		A4
sheet index	revision sheet	A 1	type	Product Customer Drawing