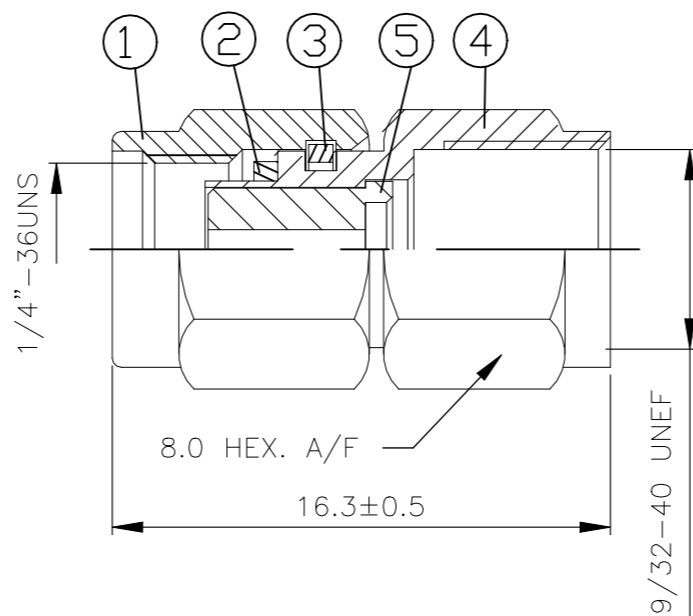
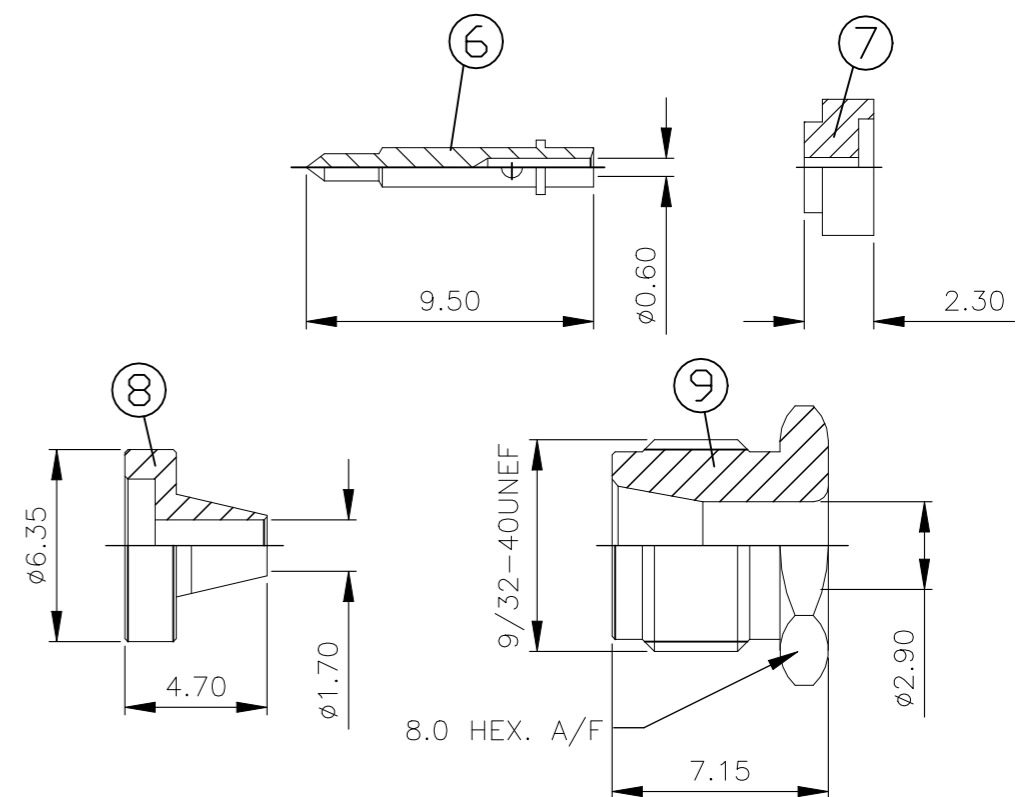


NOTES:

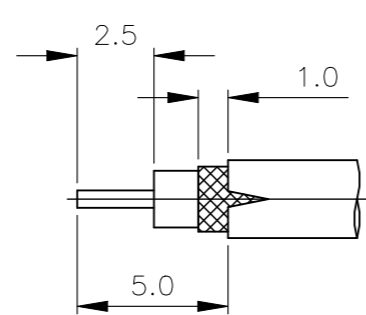
- ① SINGLE PACK IN ACCORDANCE WITH SPEC 107-3275
- ② 100 TRAY PACK IN ACCORDANCE WITH SPEC 107-3275
- ③ 0.08µm Au PLATING OVER 1.27µm Ni PLATING
- ④ 0.76µm Au PLATING OVER 1.27µm Ni PLATING OVER 0.76µm Cu PLATING
- ⑤ PASSIVATED
- 6 FOR TECHNICAL DATA REFER TO YOUR LOCAL TYCO ELECTRONICS SALES OFFICE
- 7 ALL DIMENSIONS ARE NOMINAL FOR REFERENCE ONLY UNLESS OTHERWISE STATED



REVISIONS					
P	LTR	DESCRIPTION	DATE	DWN	APVD
	C	ECO-15-016833	27OCT2021	RZ	WK



RECOMMENDED CABLE STRIPPING DIM'S



				1	1	-	-	STAINLESS STEEL	⑤	NUT	9
				-	-	1	1	STAINLESS STEEL	③	NUT	9
				1	1	-	-	STAINLESS STEEL	⑤	CLAMP	8
				-	-	1	1	STAINLESS STEEL	③	CLAMP	8
				1	1	1	1	PTFE		INSULATOR 2	7
				1	1	1	1	BRASS	④	CENTER CONTACT	6
				1	1	1	1	PTFE		INSULATOR 1	5
				1	1	-	-	STAINLESS STEEL	⑤	BODY	4
				-	-	1	1	STAINLESS STEEL	③	BODY	4
				1	1	1	1	STAINLESS STEEL		CIRCLIP	3
				1	1	1	1	SILICONE		GASKET	2
				1	1	-	-	STAINLESS STEEL	⑤	SHELL	1
				-	-	1	1	STAINLESS STEEL	③	SHELL	1
				2--1	2--0	1--1	1--0	MATERIAL		DESCRIPTION	ITEM
				②	①	②	①				

QUANTITY PER ASSY

PARTS LIST

THIS DRAWING IS A CONTROLLED DOCUMENT.		DWN R.SMITH 10FEB04	TE Connectivity				
		CHK S.PARLOW 10FEB04					
DIMENSIONS: mm		APVD F.WHEELER-KING 10FEB04	NAME				
TOLERANCES UNLESS OTHERWISE SPECIFIED:		PRODUCT SPEC	SMA ST PLUG SOLDER PIN, CLAMP				
0 PLC ± - 1 PLC ± 0.3 2 PLC ± 0.2 3 PLC ± - 4 PLC ± - ANGLES ± -		APPLICATION SPEC	RG188A/U, 316/U, RG174A/U, URM95, KX3B, KX22A				
MATERIAL SEE TABLE		FINISH -	408-32075	SIZE A3	CAGE CODE 00779	DRAWING NO C-1478908	RESTRICTED TO -
CUSTOMER DRAWING			WEIGHT 0.000000	SCALE 1:1		SHEET 1 OF 1	REV C