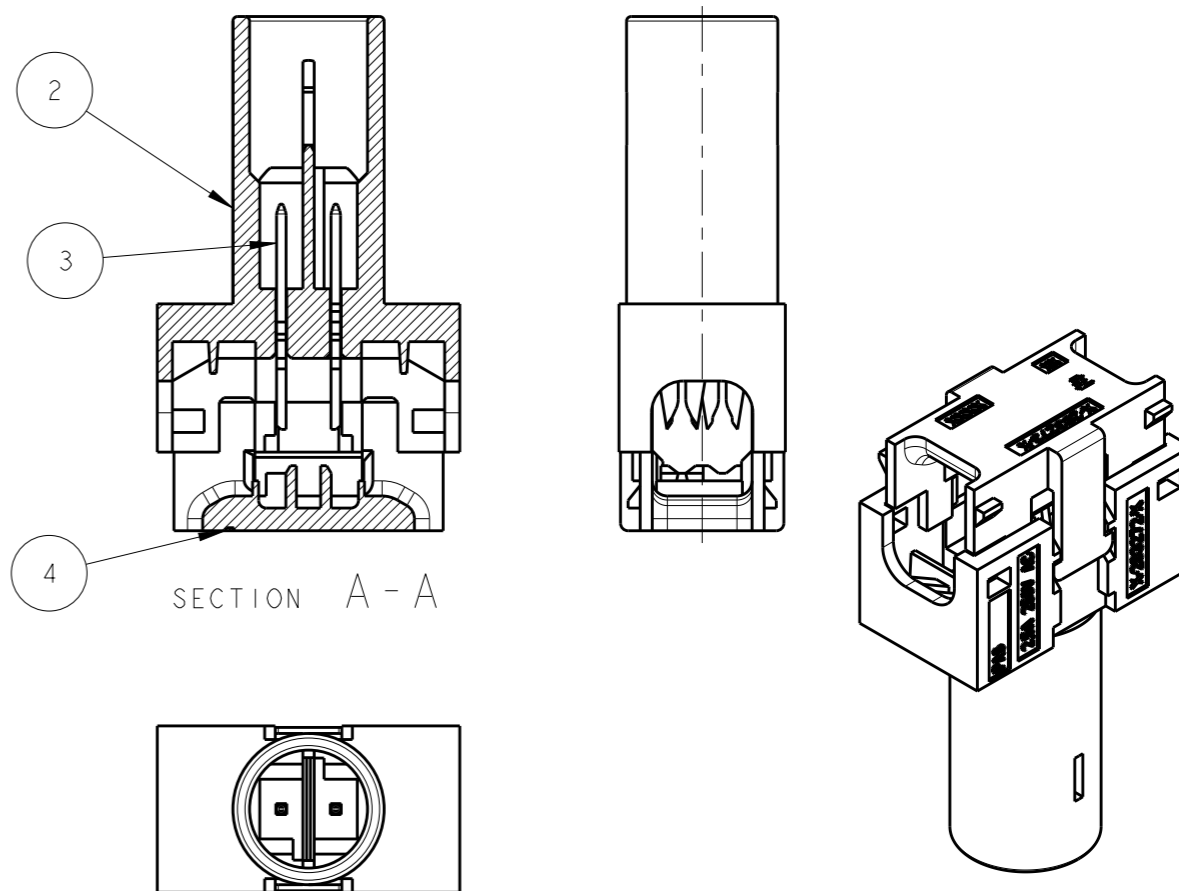
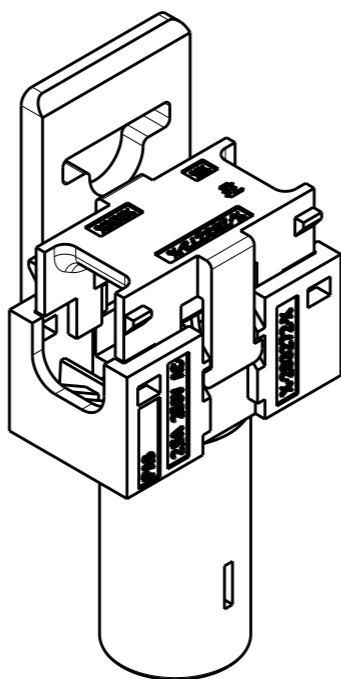
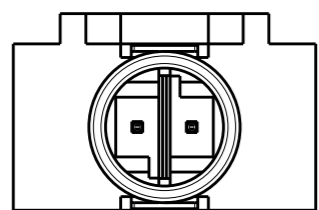
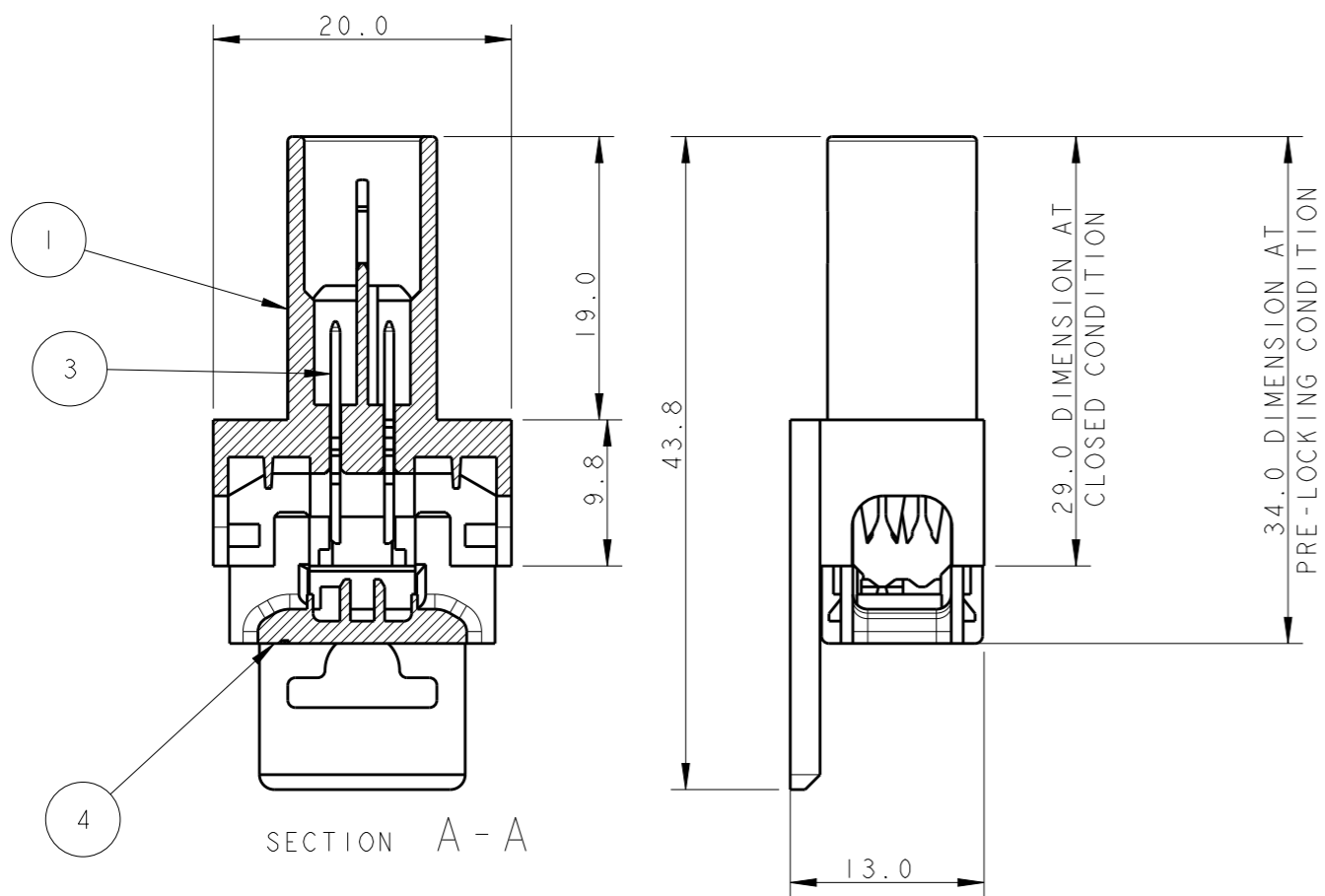


LOC	DIST	REVISIONS				
P	LTR	DESCRIPTION	DATE	DWN	APVD	
A1	-	L	IMPROVED LOCKING RETENTION TEETH	20MAY2011	AV	GT
		M	REMOVED H05VVH2-F CABLE	22AUG2012	MZ	JC
		N	ECR-16-004670	26APR2016	RS	JL

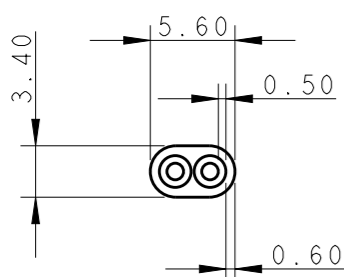


P/N 0-293300-3;-4 AS SHOWN POLARIZATION KEY HV-1

MISSING DIMENSION SEE P/N 0-...-1

CABLE CONFIGURATION

CABLE H03VVH2-F  
2x0.75 mm<sup>2</sup>



P/N 0-293300-1;-2 AS SHOWN POLARIZATION KEY HV-1

THIS DRAWING IS A CONTROLLED DOCUMENT.

DIMENSIONS:	TOLERANCES UNLESS OTHERWISE SPECIFIED:
mm	0 PLC ±-
	1 PLC ±0.3
	2 PLC ±0.05
	3 PLC ±-
	4 PLC ±-
	ANGLES ±°
MATERIAL	FINISH
-	-

DWN	23APR2007
A. Vecchia	
CHK	23APR2007
G. Turco	
APVD	23APR2007
G. Turco	
PRODUCT SPEC	108-94018
APPLICATION SPEC	114-20131
WEIGHT	-
CUSTOMER DRAWING	

TE Connectivity		NAME	
		BUS BAR 2 POSITION GENERAL	
SIZE	CAGE CODE	DRAWING NO	RESTRICTED TO
A3	00779	C-293300	-
SCALE		SHEET	REV
2:1		1 OF 2	N

