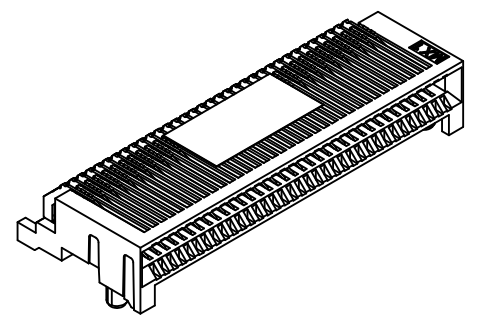


68 CIRCUIT ASSEMBLY SHOWN



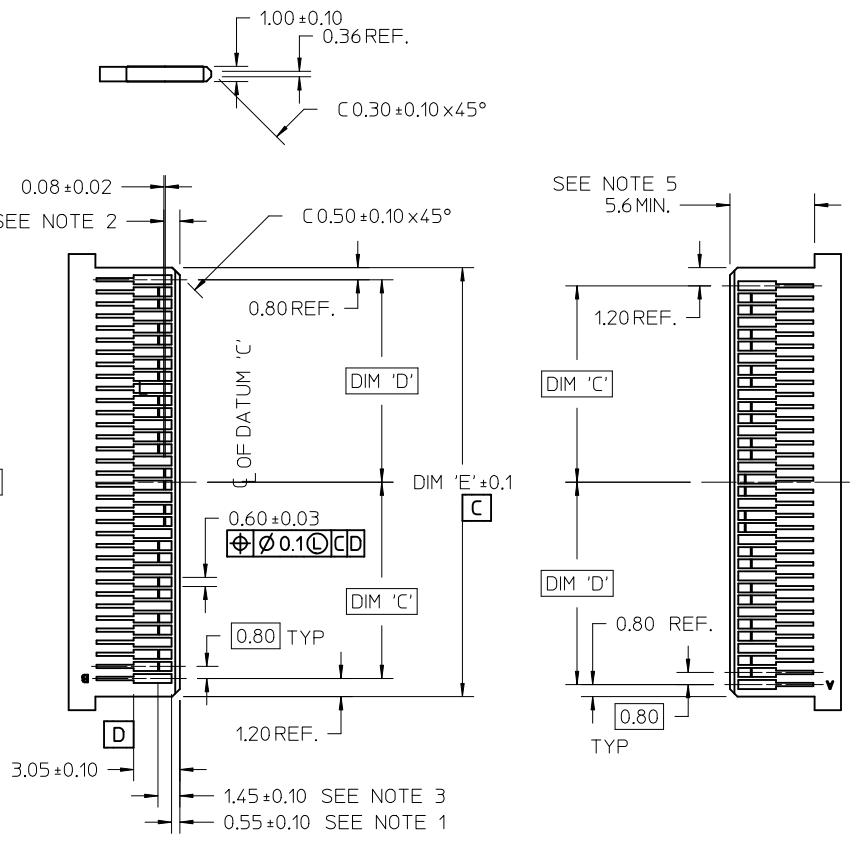
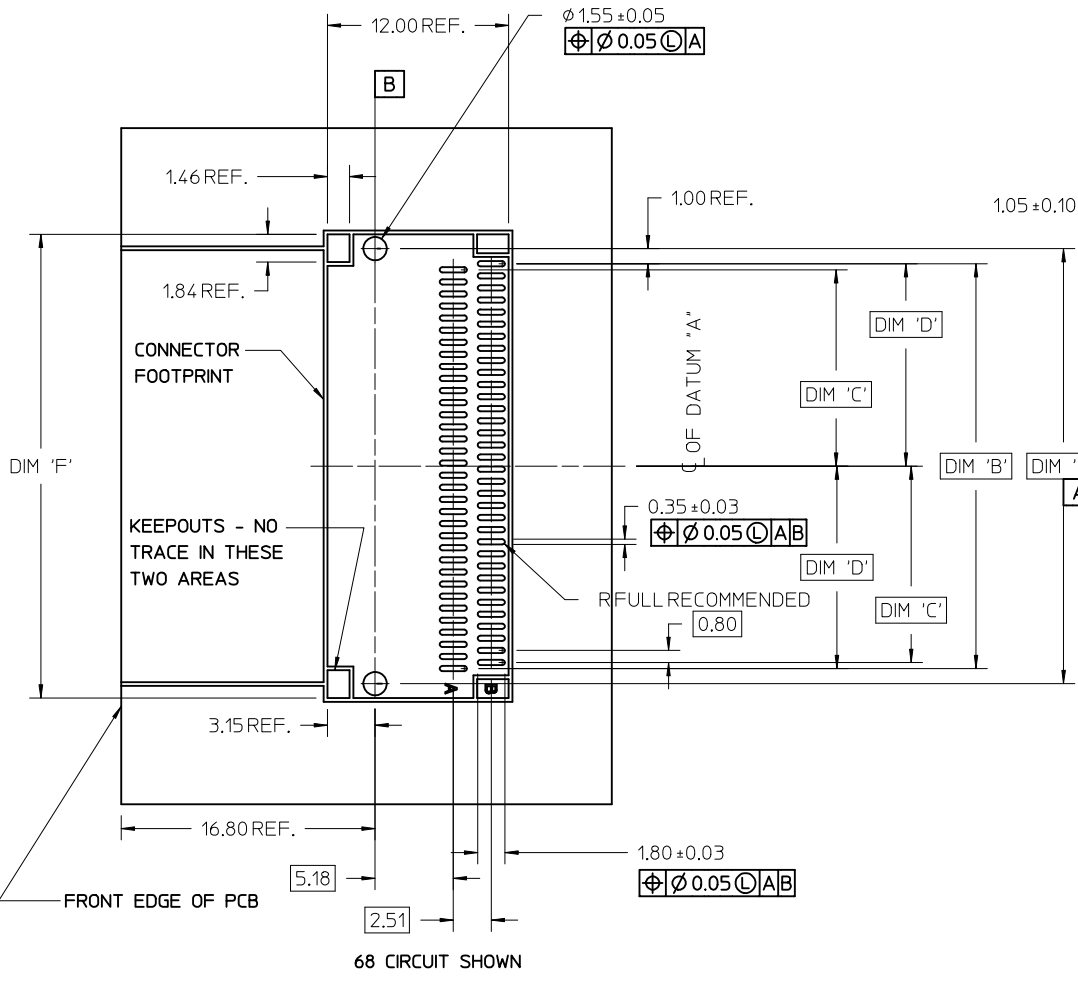
| CIRCUIT SIZE | ITEM NUMBER | PLATING OPTION | DIM 'A' | DIM 'B' | DIM 'C' |
|--------------|-------------|----------------|---------|---------|---------|
| 26 | 75586-0004 | OPTION 1 | 13.40 | 11.80 | 12.00 |
| 26 | 75586-0009 | OPTION 2 | 13.40 | 11.80 | 12.00 |
| 36 | 75586-0003 | OPTION 1 | 17.40 | 15.80 | 16.00 |
| 36 | 75586-0008 | OPTION 2 | 17.40 | 15.80 | 16.00 |
| 38 | 75586-0010 | OPTION 1 | 18.20 | 16.60 | 16.80 |
| 38 | 75586-0011 | OPTION 2 | 18.20 | 16.60 | 16.80 |
| 50 | 75586-0001 | OPTION 1 | 23.00 | 21.40 | 21.60 |
| 50 | 75586-0006 | OPTION 2 | 23.00 | 21.40 | 21.60 |
| 68 | 75586-0002 | OPTION 1 | 30.20 | 28.60 | 28.80 |
| 68 | 75586-0007 | OPTION 2 | 30.20 | 28.60 | 28.80 |

NOTES

- MATERIAL:
HOUSING - HIGH TEMPERATURE THERMOPLASTIC GLASS FILLED, UL 94V-0, BLACK
TERMINALS - COPPER ALLOY
- PLATING:
OPTION 1
CONTACT AREA - 0.38 μm MIN GOLD OVER 2.54 μm MIN NICKEL
SOLDER FOOT AREA - 2.54 - 5.09 μm TIN OVER 1.27 μm MIN NICKEL.
OPTION 2
CONTACT AREA - 0.76 μm MIN GOLD OVER 2.54 μm NICKEL
SOLDER AREA - 2.54 - 5.09 μm TIN OVER 1.27 μm MIN NICKEL
- TERMINAL SOLDER FEET TO BE COPLANAR WITHIN 0.10/004 MEASURED FROM FRONT HOUSING STAND OFF (DATUM E)
- DATE CODE: 4 DIGIT (3 DIGIT DATE, 1 DIGIT YEAR)
- CIRCUIT IDENTIFIER: SEE APPROPRIATE INDUSTRY SPECIFICATION FOR LOCATION OF PIN 1
- TO BE USED WITH EXTERNAL CABLES (74546 & 74547 SERIES) AND GUIDE FRAMES (74540 & 74548 SERIES)
- TESTER/ANALYZER CABLES AVAILABLE (74557 & 74558 SERIES)
- PACKAGED PER PACKAGING SPECIFICATION: PK-75586-002
- CONFORMS TO PRODUCT SPECIFICATION: PS-75586-001
- THIS PART CONFORMS TO CLASS C REQUIREMENTS OF COSMETIC SPECIFICATION PS-45499-002.

iPass™ IS A TRADEMARK OF MOLEX

| | | | | | | |
|---|-----------------------|--|--------------------------------------|--|------------------------------|------------------------|
| REVISED NOTE 2 IEC NO: UCP2012-4064 DRWN: TMCLELL 2012/06/26 CHKD: APPR: MBANAKIS 2012/06/28 REV: G2 | QUALITY SYMBOLS | GENERAL TOLERANCES (UNLESS SPECIFIED) | DIMENSION STYLE MM ONLY | SCALE 4:1 | DESIGN UNITS METRIC | THIRD ANGLE PROJECTION |
| | ▽=0 | mm INCH | DRAWN BY DATE KREGNIER 07/28/04 | TITLE I-PASS R/A CONNECTOR EXTERNAL ASSEMBLY .8 MM PITCH I/O | DOCUMENT NO. SD-75586-001 | SHEET NO. 1 OF 3 |
| | ▽=0 | 4 PLACES ± --- ± --- | CHECKED BY DATE JLONG 07/29/04 | | | |
| | ▽=0 | 3 PLACES ± --- ± --- | APPROVED BY DATE RNELSON 07/30/04 | THIS DRAWING CONTAINS INFORMATION THAT IS PROPRIETARY TO MOLEX INCORPORATED AND SHOULD NOT BE USED WITHOUT WRITTEN PERMISSION | | |
| | 2 PLACES ± 0.13 ± --- | ANGULAR ±1/2° | SEE CHART | | | |
| | 1 PLACE ± 0.25 ± --- | DRAFT WHERE APPLICABLE MUST REMAIN WITHIN DIMENSIONS | SIZE C | | | |
| | 0 PLACE ± ± | | | | | |

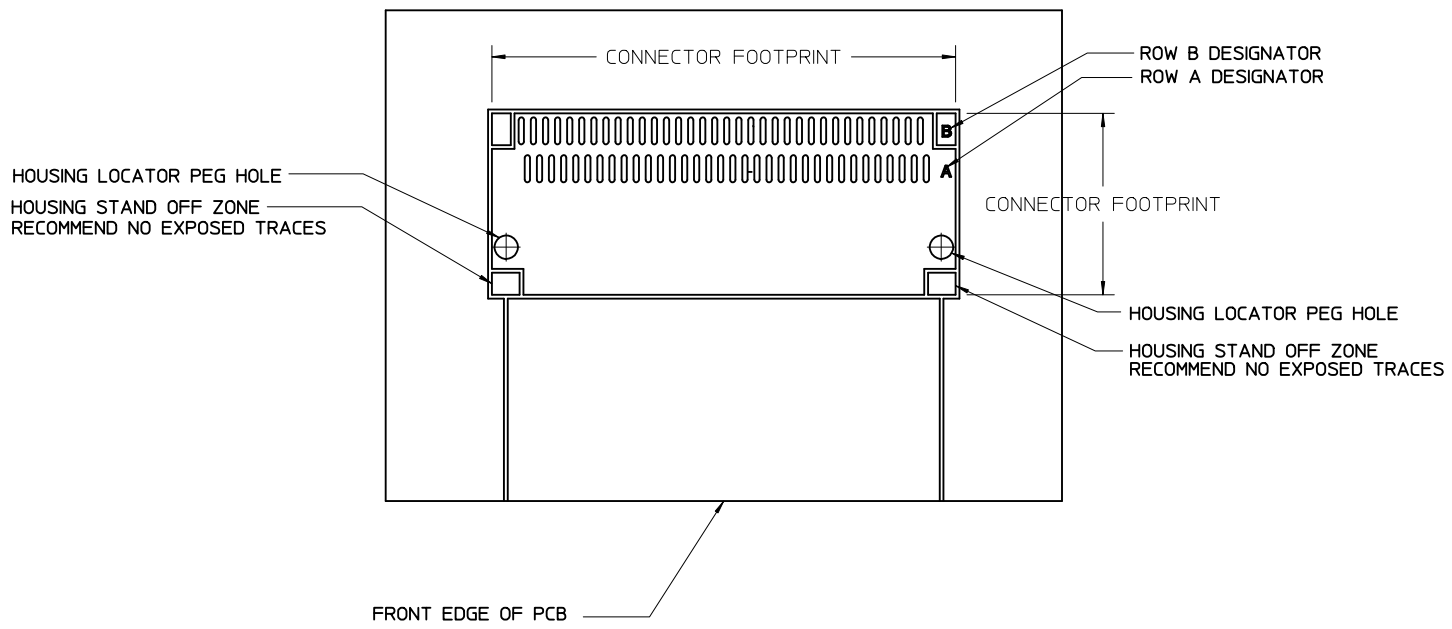


- NOTES:**
- PAD CONFIGURATION FOR FIRST MATE.
 - PAD CONFIGURATION FOR SECOND MATE.
 - PAD CONFIGURATION FOR THIRD MATE (HIGH SPEED SIGNALS).
 - FOR PIN ASSIGNMENTS AND MATING SEQUENCE (1ST, 2ND, 3RD), SEE APPLICABLE SPECIFICATION.
 - MINIMUM STEP REQUIRED IF PCB MADE WIDER THAN CARD TOUNGE.
 - SEE 74540 OR 74548 SERIES FOR GUIDE FRAME FOOT PRINT AND KEEP OUT AREA.

iPass™ IS A TRADEMARK OF MOLEX

| CIRCUIT SIZE | TERM/SIDE 'N' | DIMENSIONS | | | | | |
|--------------|---------------|------------|---------|---------|---------|---------|---------|
| | | DIM 'A' | DIM 'B' | DIM 'C' | DIM 'D' | DIM 'E' | DIM 'F' |
| 26 | 13 | 12.00 | 10.00 | 4.60 | 5.00 | 11.60 | 13.90 |
| 36 | 18 | 16.00 | 14.00 | 6.60 | 7.00 | 15.60 | 17.90 |
| 38 | 19 | 16.80 | 14.80 | 7.00 | 7.40 | 16.40 | 18.70 |
| 50 | 25 | 21.60 | 19.60 | 9.40 | 9.80 | 21.20 | 23.50 |
| 68 | 34 | 28.80 | 26.80 | 13.00 | 13.40 | 28.40 | 30.70 |

| SEE SHEET 1 EC NO: UCP2012-4064 DRWN:MCLELL 2012/06/26 CHKD: APPR:MBANAKIS 2012/06/28 G2 | QUALITY SYMBOLS | GENERAL TOLERANCES (UNLESS SPECIFIED) <table border="1"> <tr> <th></th> <th>mm</th> <th>INCH</th> </tr> <tr> <td>4 PLACES</td> <td>± 0.13</td> <td>± 0.005</td> </tr> <tr> <td>3 PLACES</td> <td>± 0.25</td> <td>± 0.010</td> </tr> <tr> <td>2 PLACES</td> <td>± 0.38</td> <td>± 0.015</td> </tr> <tr> <td>1 PLACE</td> <td>± 0.51</td> <td>± 0.020</td> </tr> <tr> <td>0 PLACE</td> <td>± 0.64</td> <td>± 0.025</td> </tr> </table> | | mm | INCH | 4 PLACES | ± 0.13 | ± 0.005 | 3 PLACES | ± 0.25 | ± 0.010 | 2 PLACES | ± 0.38 | ± 0.015 | 1 PLACE | ± 0.51 | ± 0.020 | 0 PLACE | ± 0.64 | ± 0.025 | DIMENSION STYLE MM ONLY DRAWN BY DATE KREGNIER 07/28/04 CHECKED BY DATE JLONG 07/29/04 APPROVED BY DATE RNELSON 07/30/04 | SCALE 4:1 DESIGN UNITS METRIC THIRD ANGLE PROJECTION | I-PASS R/A CONNECTOR EXTERNAL ASSEMBLY .8 MM PITCH I/O | MATERIAL NO. SEE CHART DOCUMENT NO. SD-75586-001 SHEET NO. 2 OF 3 |
|---|---------------------|---|---------|----|------|----------|--------|---------|----------|--------|---------|----------|--------|---------|---------|--------|---------|---------|--------|---------|--|--|---|---|
| | | mm | INCH | | | | | | | | | | | | | | | | | | | | | |
| | 4 PLACES | ± 0.13 | ± 0.005 | | | | | | | | | | | | | | | | | | | | | |
| | 3 PLACES | ± 0.25 | ± 0.010 | | | | | | | | | | | | | | | | | | | | | |
| | 2 PLACES | ± 0.38 | ± 0.015 | | | | | | | | | | | | | | | | | | | | | |
| 1 PLACE | ± 0.51 | ± 0.020 | | | | | | | | | | | | | | | | | | | | | | |
| 0 PLACE | ± 0.64 | ± 0.025 | | | | | | | | | | | | | | | | | | | | | | |
| ANGULAR ±1/2° DRAFT WHERE APPLICABLE MUST REMAIN WITHIN DIMENSIONS | | THIS DRAWING CONTAINS INFORMATION THAT IS PROPRIETARY TO MOLEX INCORPORATED AND SHOULD NOT BE USED WITHOUT WRITTEN PERMISSION | | | | | | | | | | | | | | | | | | | | | | |



iPass™ IS A TRADEMARK OF MOLEX

| | | | | | | |
|---|-----------------|--|-------------------|---|--------------|------------------------|
| SEE SHEET 1 EC NO: UCP2012-4064 DRWN:TMCCLELL 2012/06/26 CHKD: APPR:MBANAKIS 2012/06/28 | QUALITY SYMBOLS | GENERAL TOLERANCES (UNLESS SPECIFIED) | DIMENSION STYLE | SCALE | DESIGN UNITS | THIRD ANGLE PROJECTION |
| | ▽=0 | mm INCH | MM ONLY | 4:1 | METRIC | |
| | ▽=0 | 4 PLACES ± --- ± --- | DRAWN BY DATE | TITLE I-PASS R/A CONNECTOR EXTERNAL ASSEMBLY .8 MM PITCH I/O molex | | |
| | ▽=0 | 3 PLACES ± --- ± --- | KREGNIER 07/28/04 | | | |
| REV | DESCRIPTION | ANGULAR ±1/2° | CHECKED BY DATE | DOCUMENT NO. SD-75586-001 | | |
| G2 | | DRAFT WHERE APPLICABLE MUST REMAIN WITHIN DIMENSIONS | JLONG 07/29/04 | | | |
| | | | APPROVED BY DATE | SHEET NO. 3 OF 3 | | |
| | | | RNELSON 07/30/04 | | | |
| | | | MATERIAL NO. | THIS DRAWING CONTAINS INFORMATION THAT IS PROPRIETARY TO MOLEX INCORPORATED AND SHOULD NOT BE USED WITHOUT WRITTEN PERMISSION | | |
| | | | SEE CHART | | | |