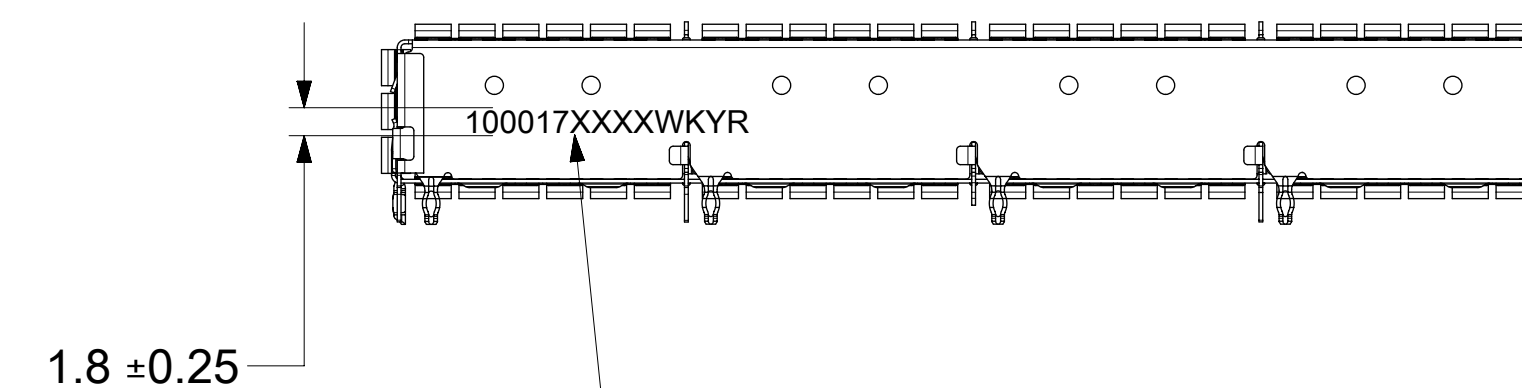
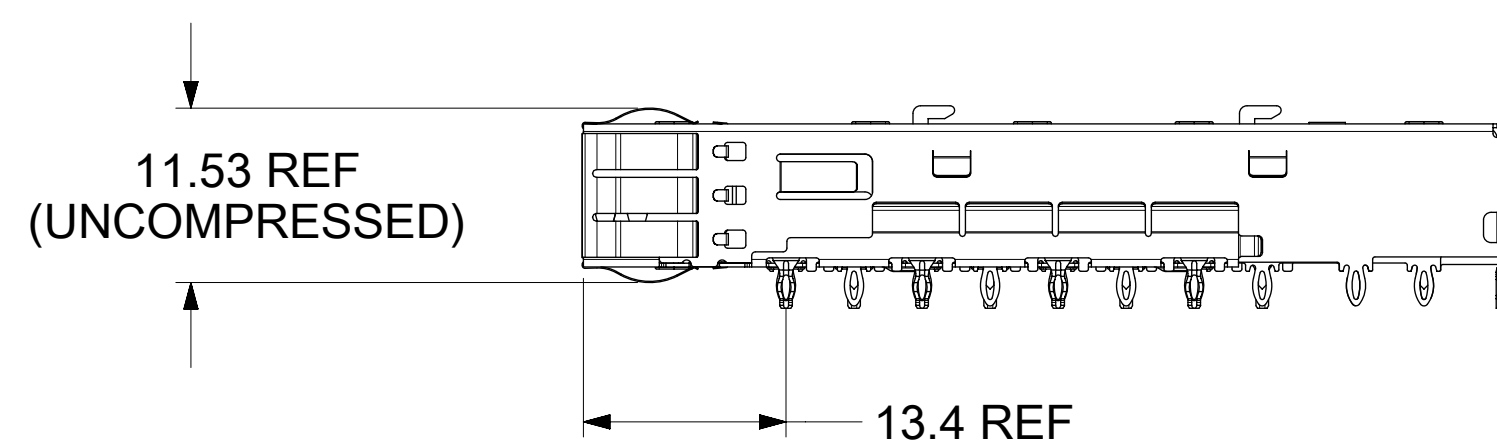
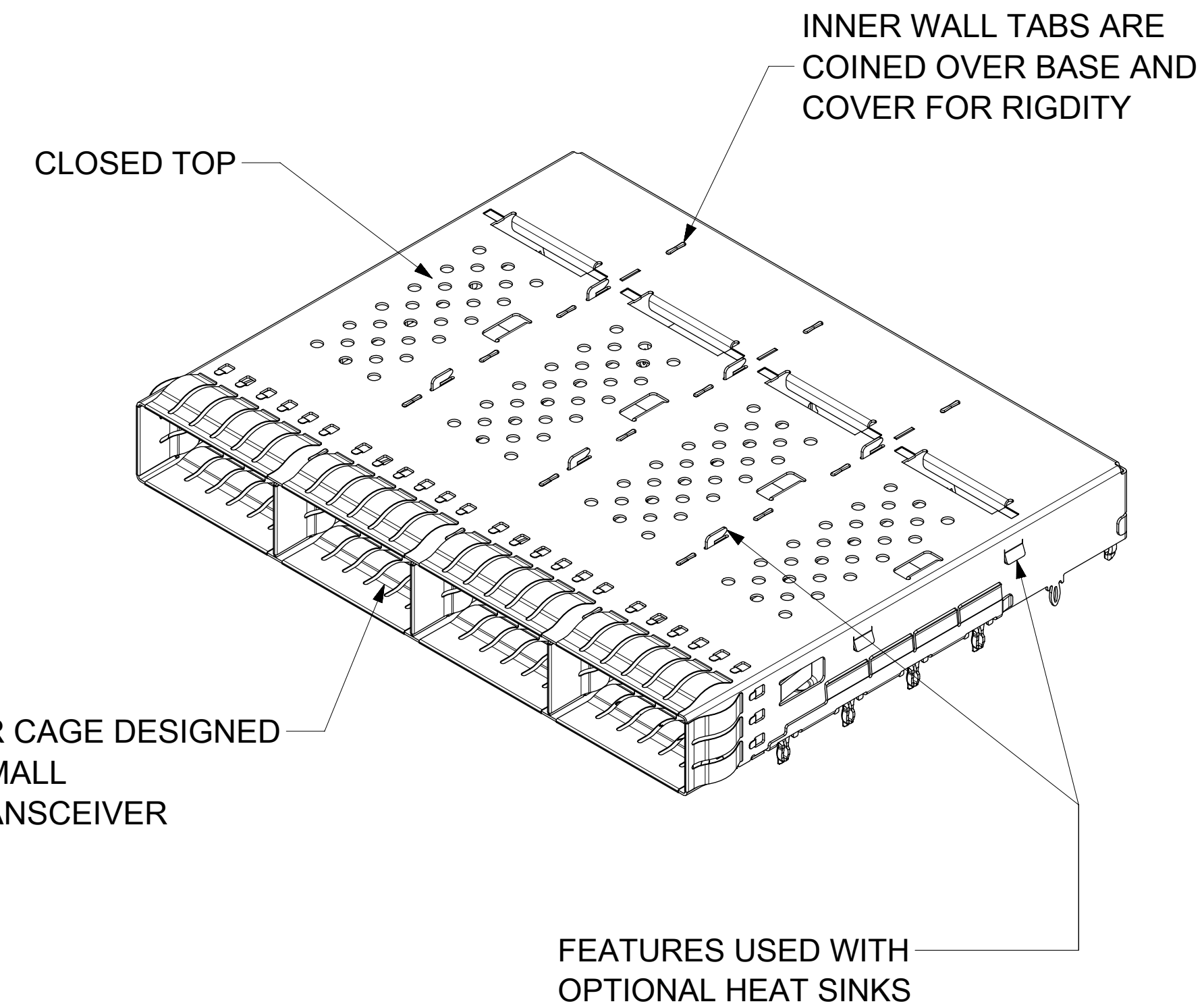
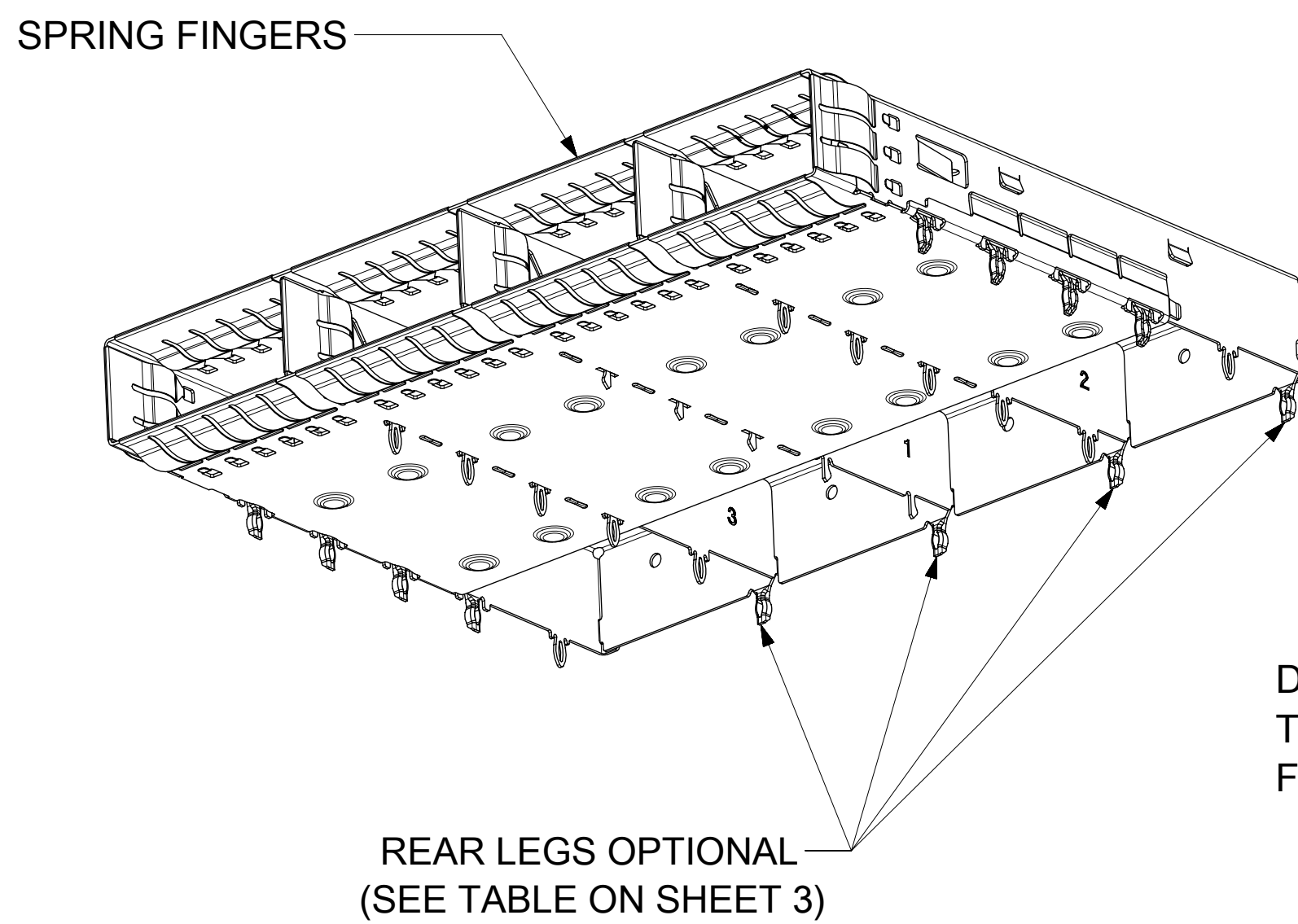
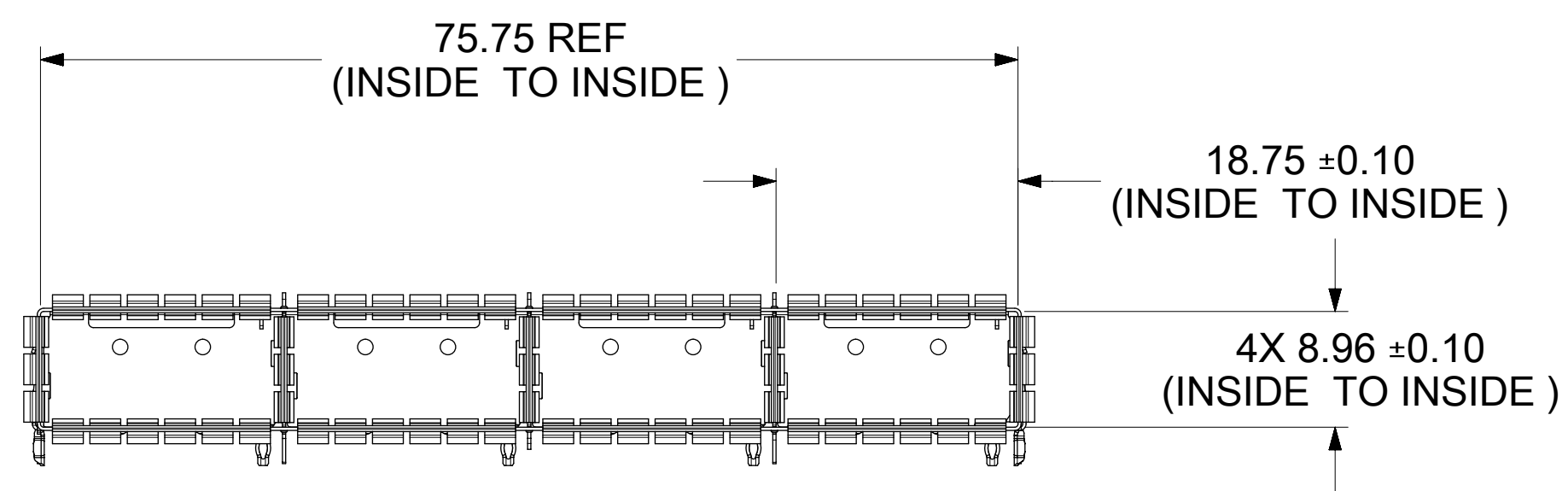
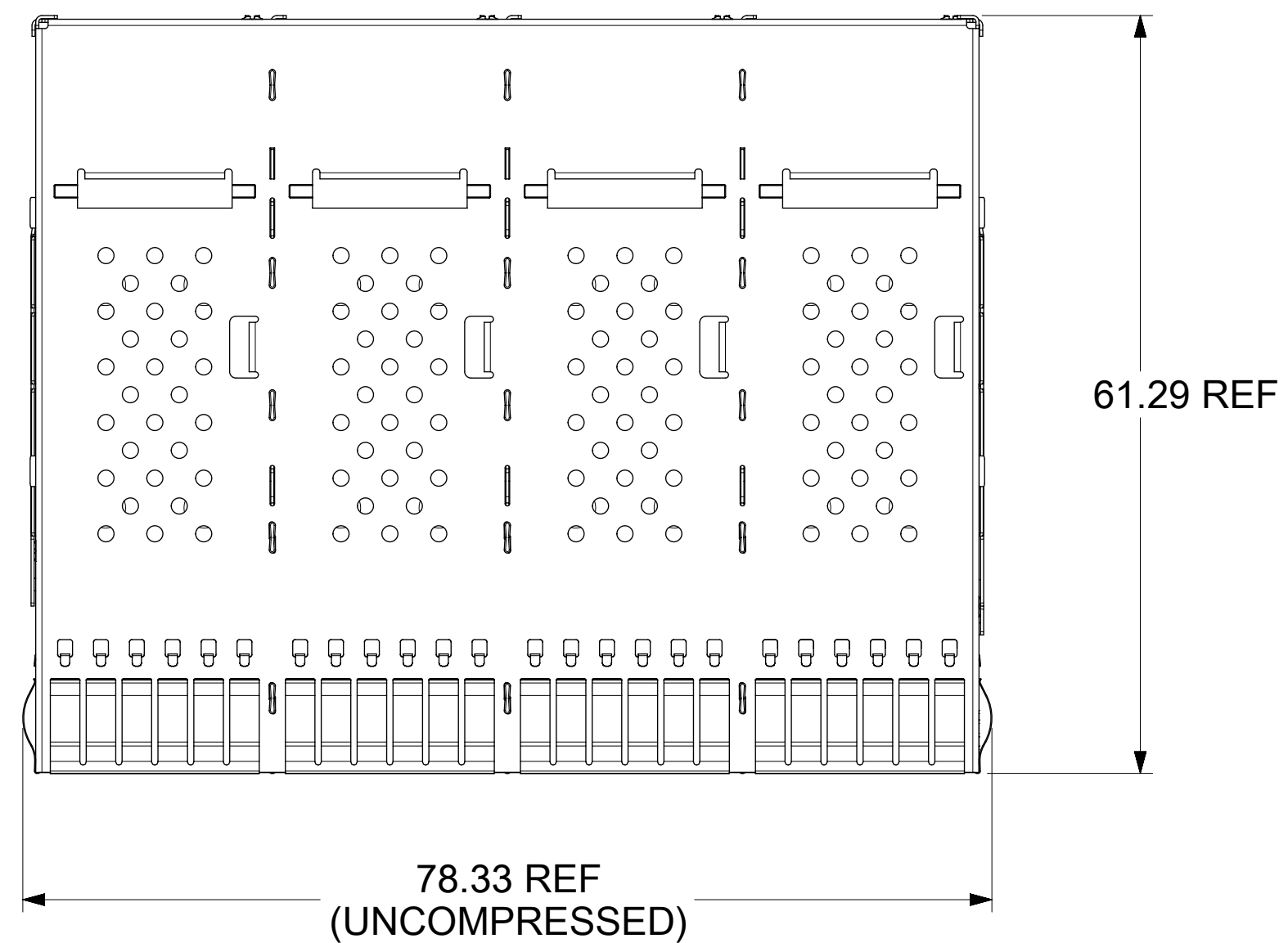


BASE CAGE DETAILS



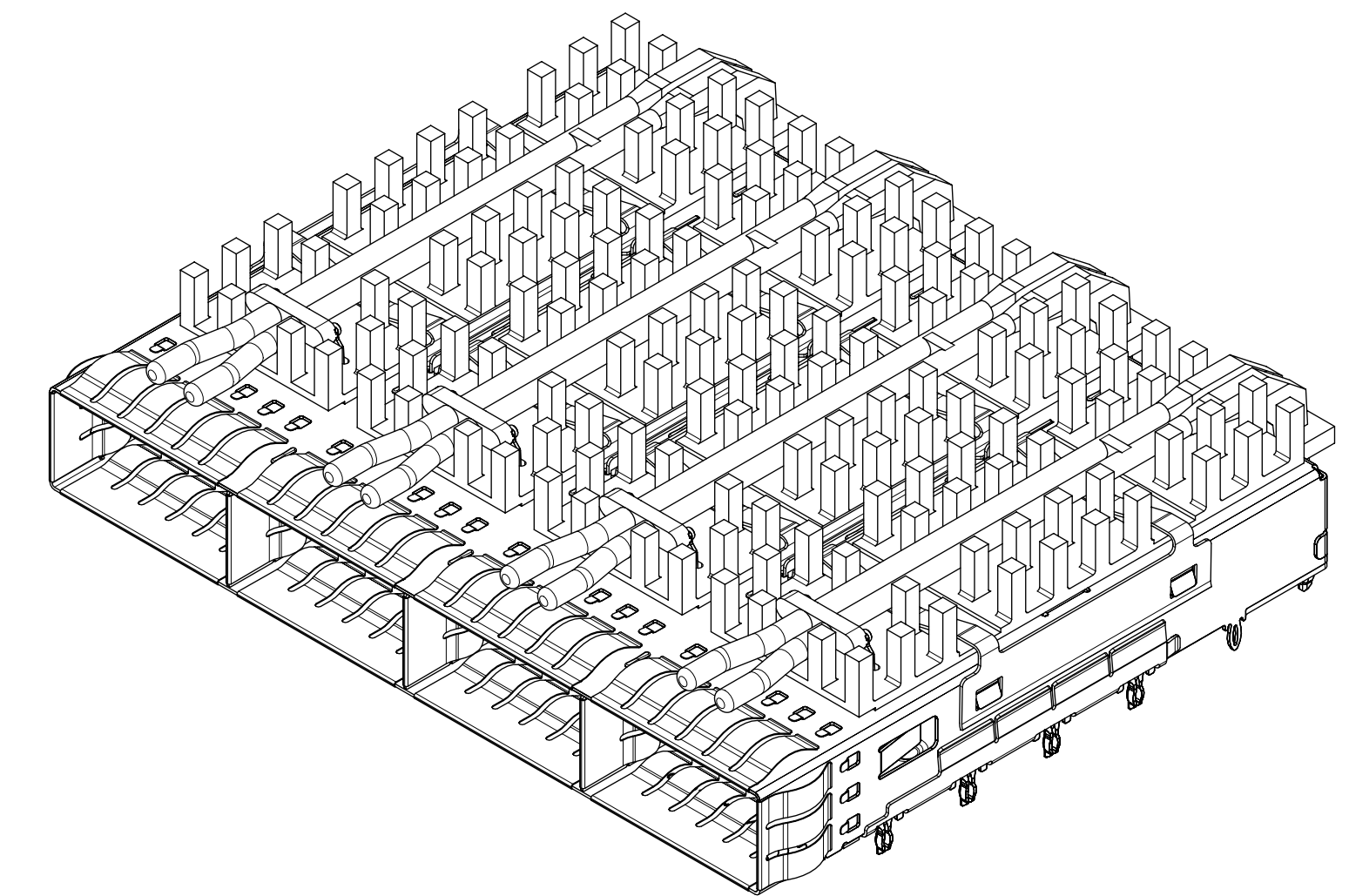
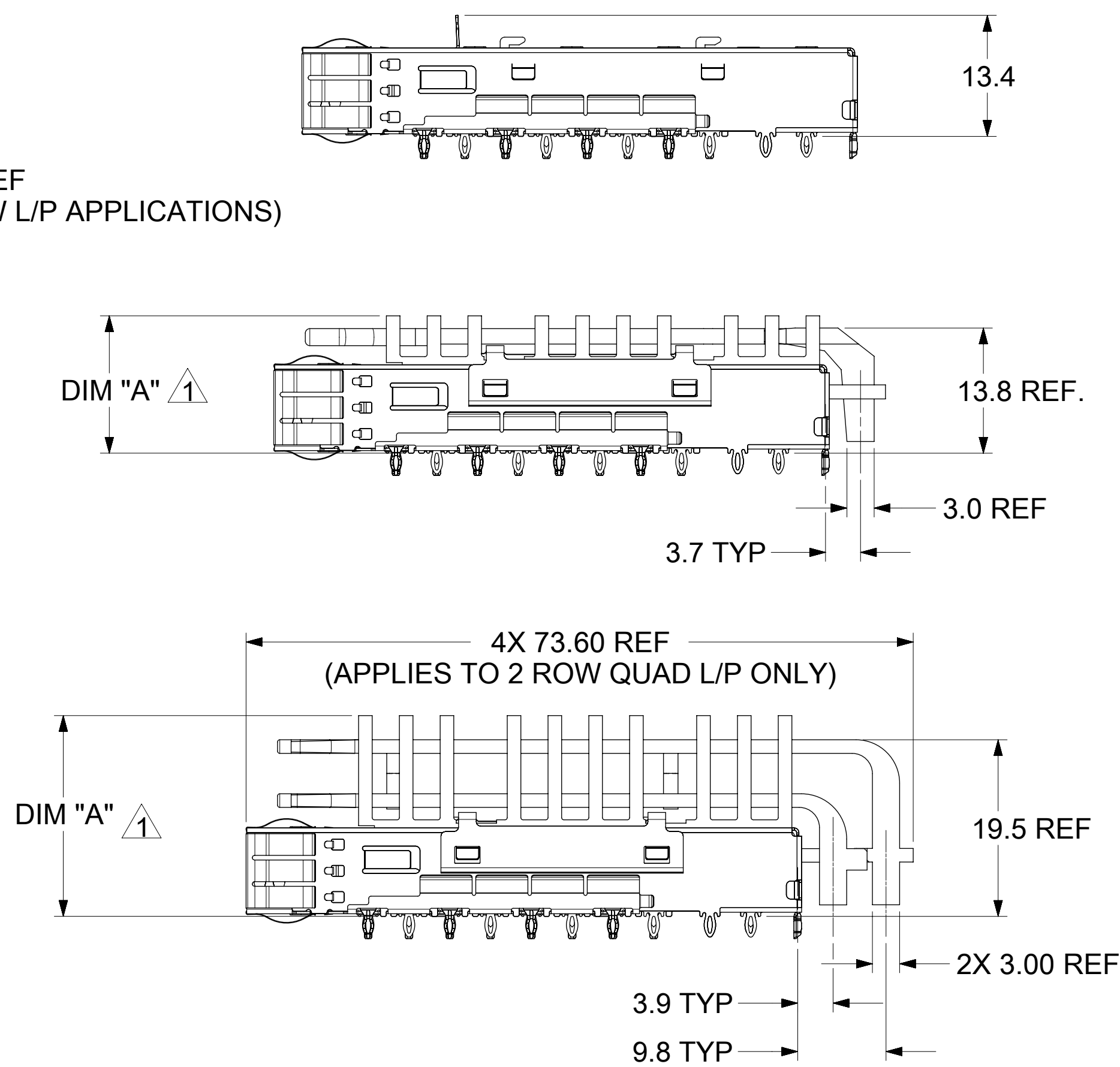
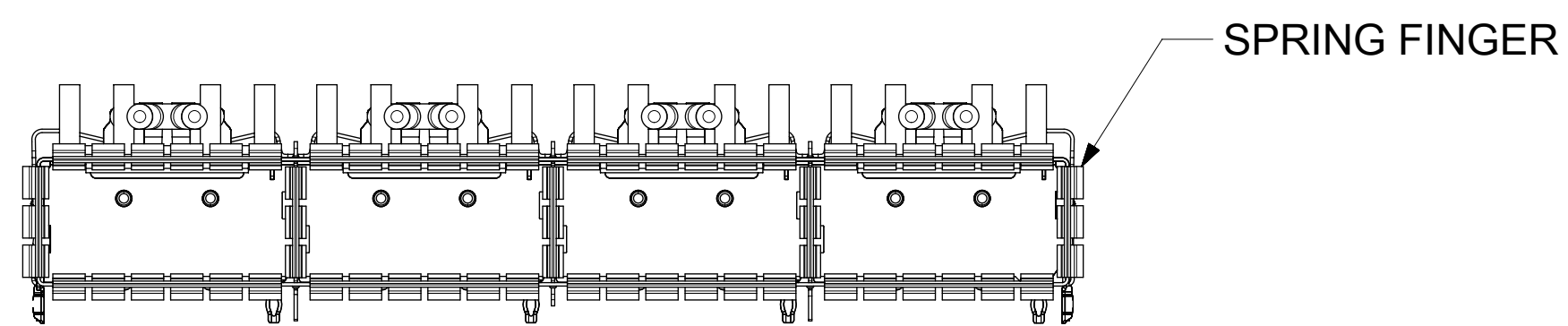
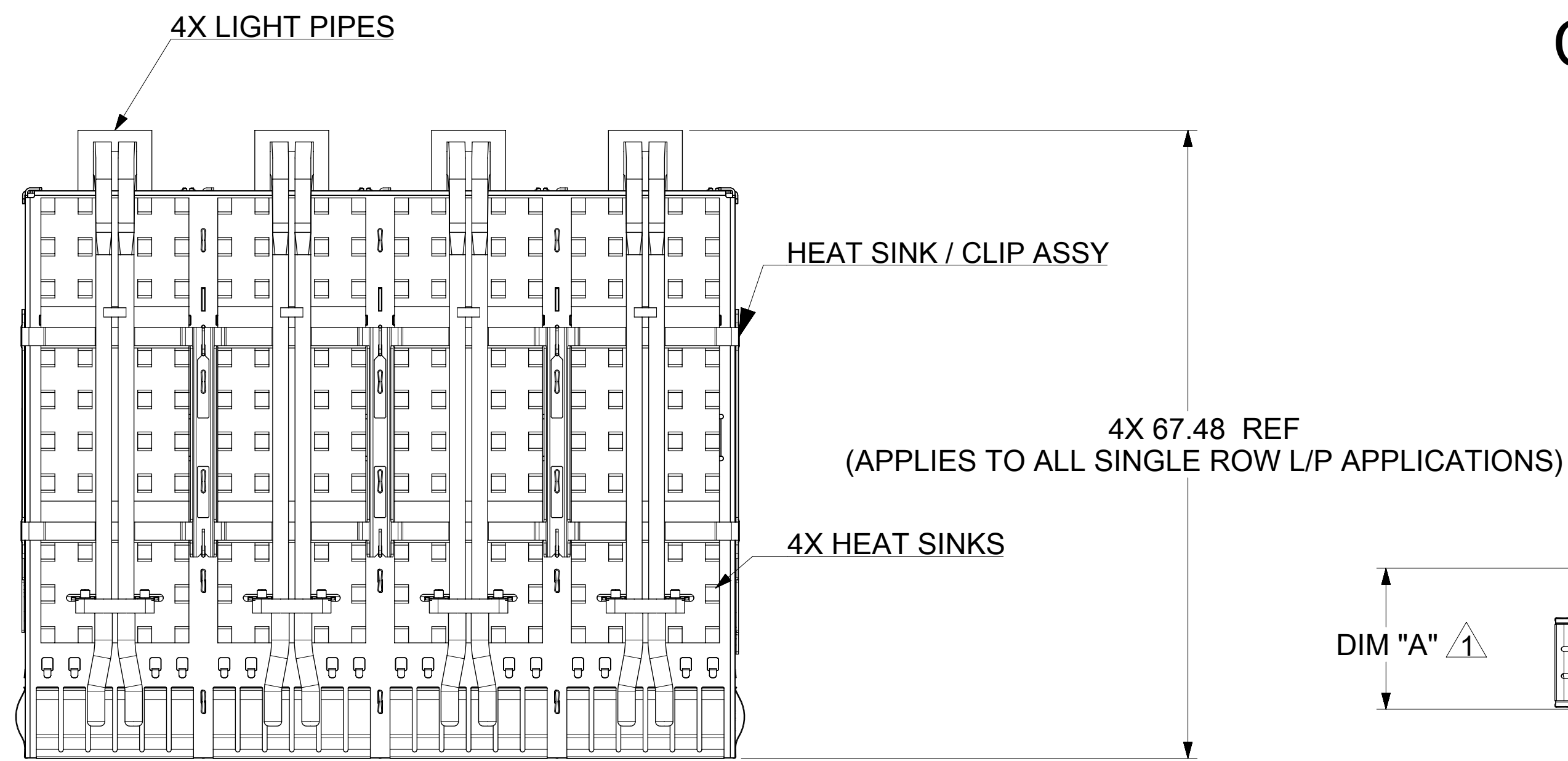
P/N AND WEEK/YEAR DATE CODE TO BE PRINTED ON BACK OF COMPLETED CAGE ASSEMBLY APPROXIMATELY AS SHOWN. SEE TABLE BELOW FOR DATE CODE INFORMATION.

- NOTES:**
- MATERIAL: CAGE: STAINLESS STEEL
CENTER WALLS: STAINLESS STEEL
SPRING FINGERS: BERYLLIUM COPPER; NICKEL PLATED
HEAT SINKS: NICKEL PLATED ALUMINUM
HEAT SINK CLIP: STAINLESS STEEL
LIGHT PIPES: POLYCARBONATE (UL 94-V-0)
 - DIMENSIONS MARKED ∇ ARE CRITICAL TO FUNCTION OF THE PART AND MUST BE INSPECTED
 - DRAWING APPLIES TO ALL P/N'S SHOWN ON PAGE 3
 - DURING FINAL INSPECTION, CAGE LEG LOCATIONS AND STRAIGHTNESS MUST BE CHECKED USING APPROPRIATE GO - NO GO GAGE
 - DURING FINAL INSPECTION, CAGE MUST BE INSPECTED TO MAKE SURE LEG CONFIGURATIONS AND PART NUMBERS ARE CORRECT, USE SHEETS 3, 4 AND 5
 - PARTS TO BE INSPECTED PER MOLEX COSMETIC SPEC WI-HP-7-2774 (CLASS B UNLESS OTHERWISE SPECIFIED)
 - PRESS-FIT LEGS 2.44 LONG -
1.57 MINIMUM PCB THICKNESS FOR SINGLE SIDED USE.
3.00 MINIMUM PCB THICKNESS FOR BELLY TO BELLY USE.
 - NO RoHS EXEMPTIONS

WEEK/YEAR DATE CODE TABLE	
WK	WEEK OF THE YEAR 01 THRU 52 (EXAMPLE: 01= FIRST WEEK OF YEAR 52= LAST WEEK OF YEAR)
YR	18, 19, 20 ETC.. (EXAMPLE: YEAR 2018= 18)

THIS DRAWING CONTAINS INFORMATION THAT IS PROPRIETARY TO MOLEX ELECTRONIC TECHNOLOGIES, LLC AND SHOULD NOT BE USED WITHOUT WRITTEN PERMISSION															
DIMENSION UNITS mm		SCALE 2:1		CURRENT REV DESC: REMOVED OBSOLETE PART NUMBER AS PER PCN#511781.				molex							
GENERAL TOLERANCES (UNLESS SPECIFIED)		ANGULAR TOL ± 1.0°		EC NO: 713004 DRWN: SANTHN 2022/07/05 CHK'D: GGA 2022/07/18 APPR: GGA 2022/07/18											
4 PLACES ±		3 PLACES ±		INITIAL REVISION: DRWN: KNAGANNA 2015/06/03 APPR: RCHEN08 2016/01/11				ZQSFP+ 1X4 GANGED CAGE ASSY'S (SPRING FINGER) WITH H/S & L/P OPTIONS							
2 PLACES ± 0.13		1 PLACE ± 0.25		PRODUCT CUSTOMER DRAWING				DOCUMENT NUMBER							
0 PLACES ±		DRAFT WHERE APPLICABLE MUST REMAIN WITHIN DIMENSIONS		THIRD ANGLE PROJECTION		DRAWING		SERIES		MATERIAL NUMBER		CUSTOMER		SHEET NUMBER	
				D-SIZE		100017		SEE TABLE		GENERAL MARKET		PSD SD L2		1 OF 10	

CAGE ASSEMBLY OPTIONS



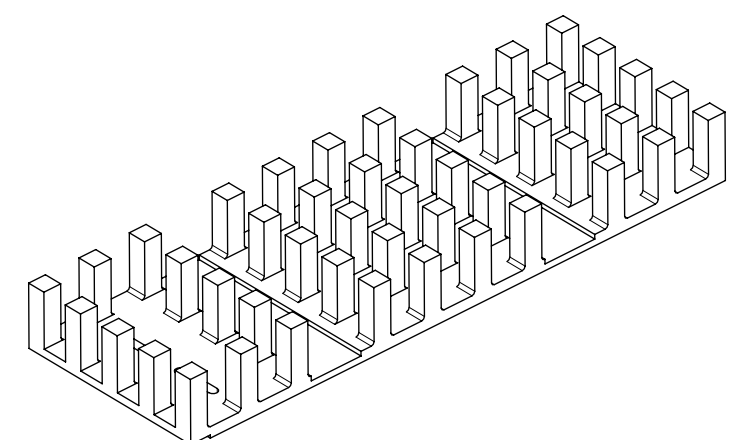
HEATSINK HEIGHT OPTIONS

OVERALL HEAT SINK HEIGHT	DIM "A"
PCI	13.7 REF
SAN	16.0 REF
NET	23.0 REF

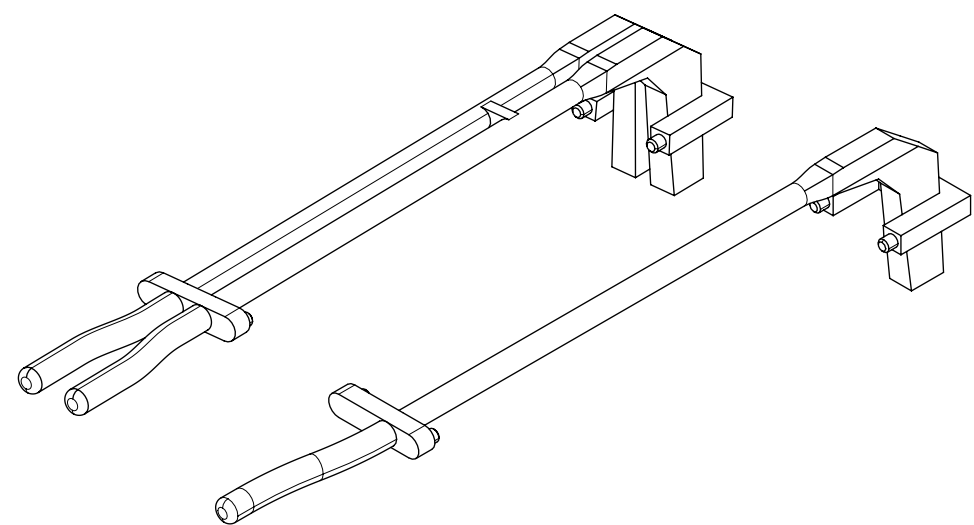
\triangle HEIGHT OF HEAT SINK WITH MODULE INSERTED.
DIMENSION MAY BE LESS DUE TO MODULE AND HEAT SINK VARIATIONS

HEATSINK AND LIGHT PIPE COMBINATIONS

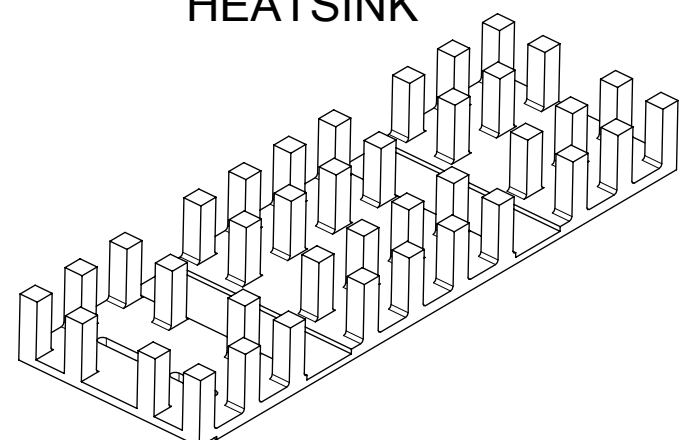
HEATSINK
USED
WITHOUT
LIGHTPIPE



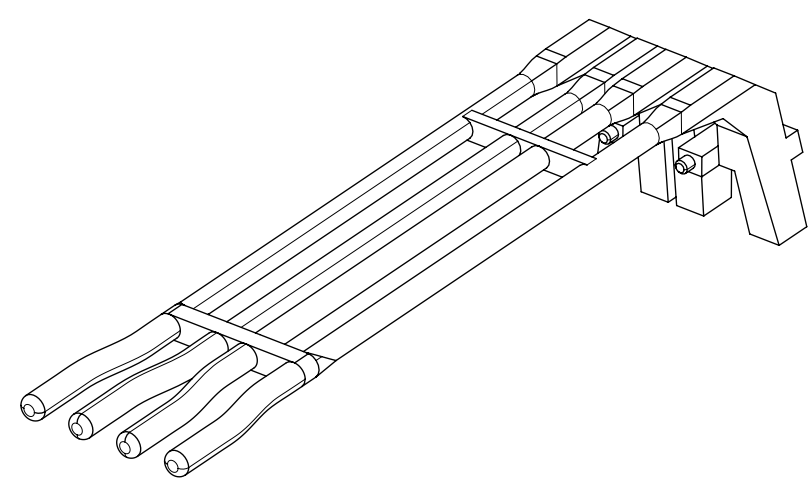
SINGLE / DUAL LIGHT PIPE



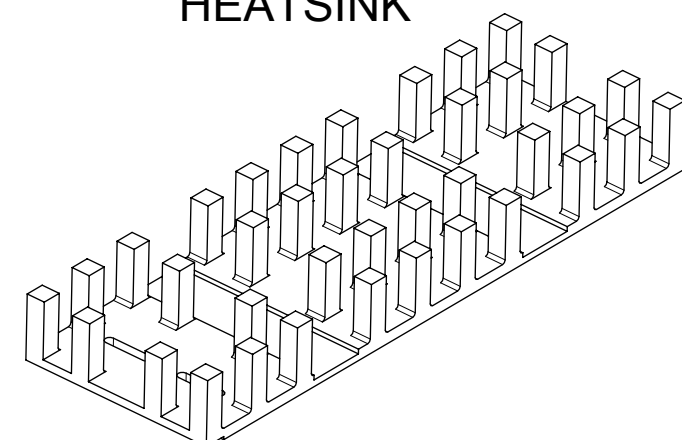
HEATSINK



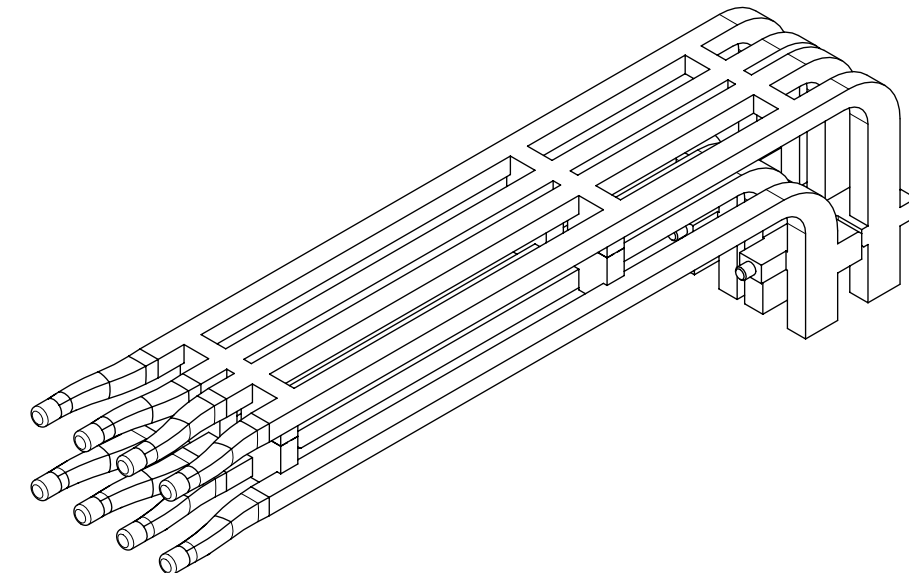
QUAD LIGHT PIPE



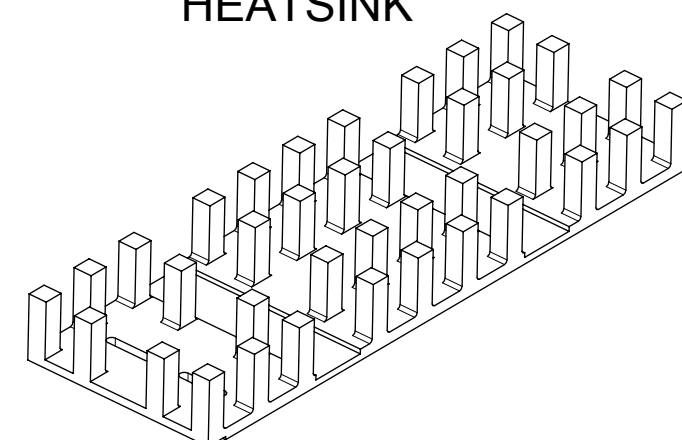
HEATSINK



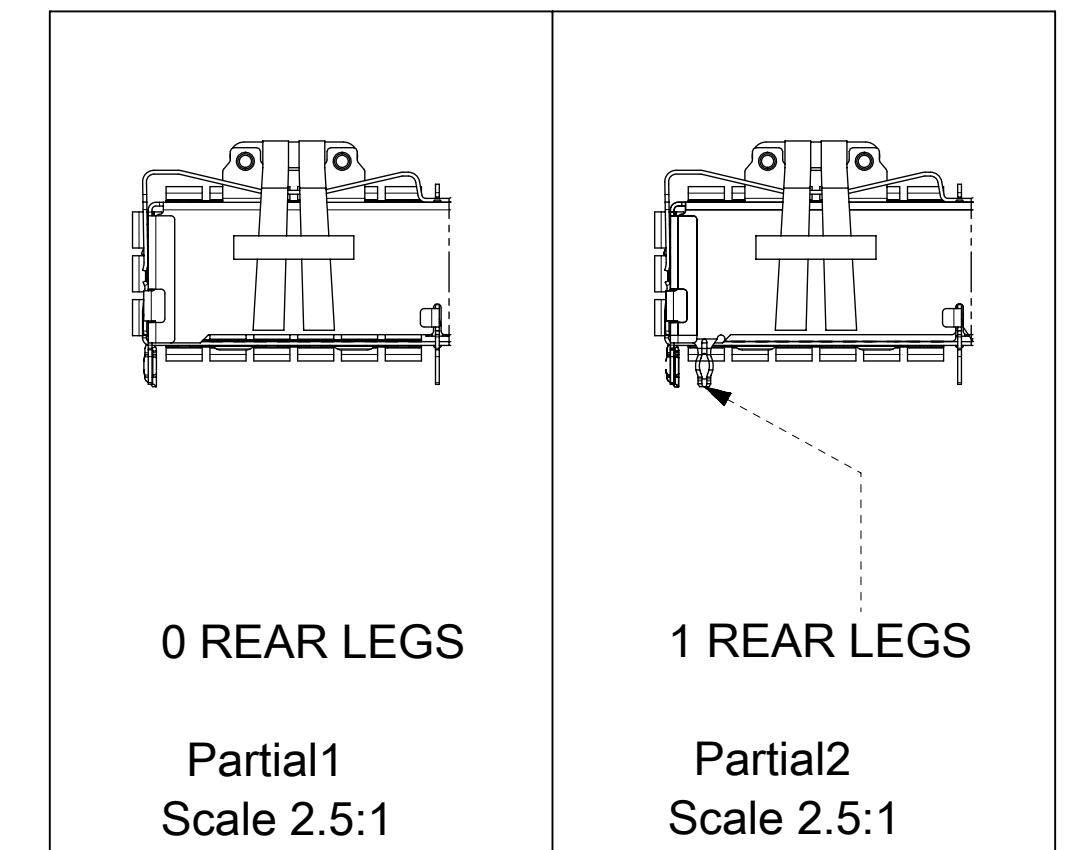
2 ROW QUAD LIGHT PIPE



HEATSINK



REAR LEG OPTIONS

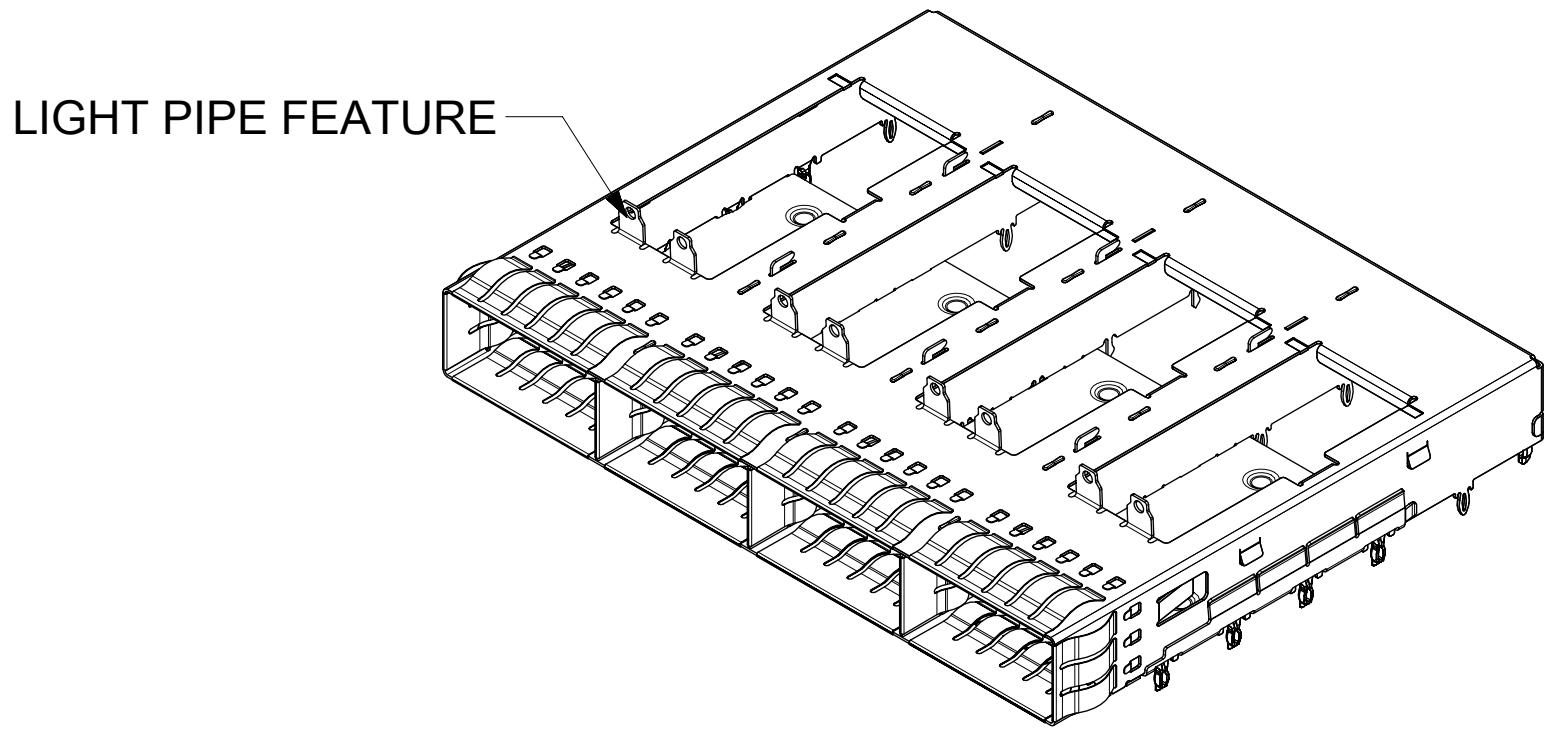


THIS DRAWING CONTAINS INFORMATION THAT IS PROPRIETARY TO MOLEX ELECTRONIC TECHNOLOGIES, LLC AND SHOULD NOT BE USED WITHOUT WRITTEN PERMISSION

DIMENSION UNITS	SCALE	CURRENT REV DESC: REMOVED OBSOLETE PART NUMBER AS PER PCN#511781.	
mm	2:1		
GENERAL TOLERANCES (UNLESS SPECIFIED)			
ANGULAR TOL \pm 1.0°			
4 PLACES	\pm	EC NO: 713004	2022/07/05
3 PLACES	\pm	DRWN: SANTHN	2022/07/18
2 PLACES	\pm 0.13	CHK'D: GGA	2022/07/18
1 PLACE	\pm 0.25	APPR: GGA	2022/07/18
0 PLACES	\pm	INITIAL REVISION:	
DRAFT WHERE APPLICABLE MUST REMAIN WITHIN DIMENSIONS		DRWN: KNAGANNA	2015/06/03
		APPR: RCHEN08	2016/01/11
THIRD ANGLE PROJECTION		DRAWING	SERIES
		D-SIZE	100017
		MATERIAL NUMBER	CUSTOMER
		SEE TABLE	GENERAL MARKET
		DOCUMENT NUMBER	DOC TYPE DOC PART REVISION
		1000171200	PSD SD L2
DOCUMENT STATUS		RELEASE DATE	SHEET NUMBER
P1		2022/07/18 12:22:51	2 OF 10

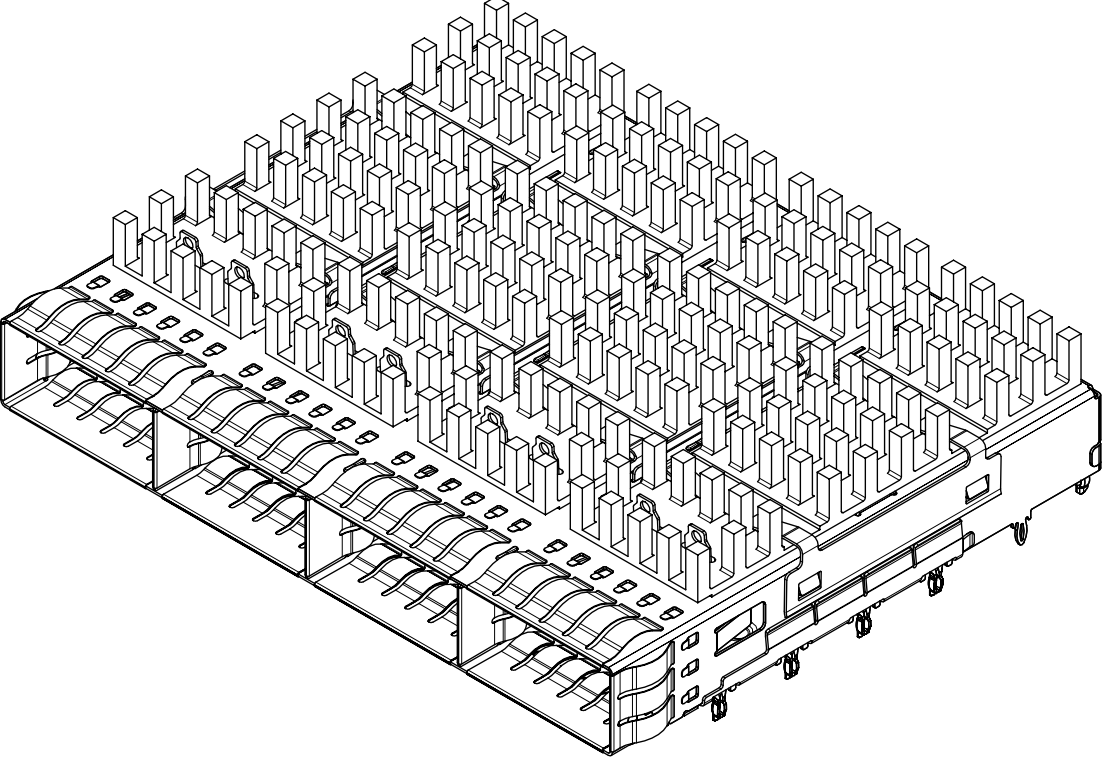
PART NUMBER SELECTION

NO HEATSINKS
NO LIGHT PIPES
OPEN TOP



MOLEX P/N W/ SPRING FINGERS	#OF REAR LEGS PER PORT	LIGHT PIPE FEATURE
1000171252	1	YES
1000171255	1	NO

WITH HEATSINKS
NO LIGHT PIPES

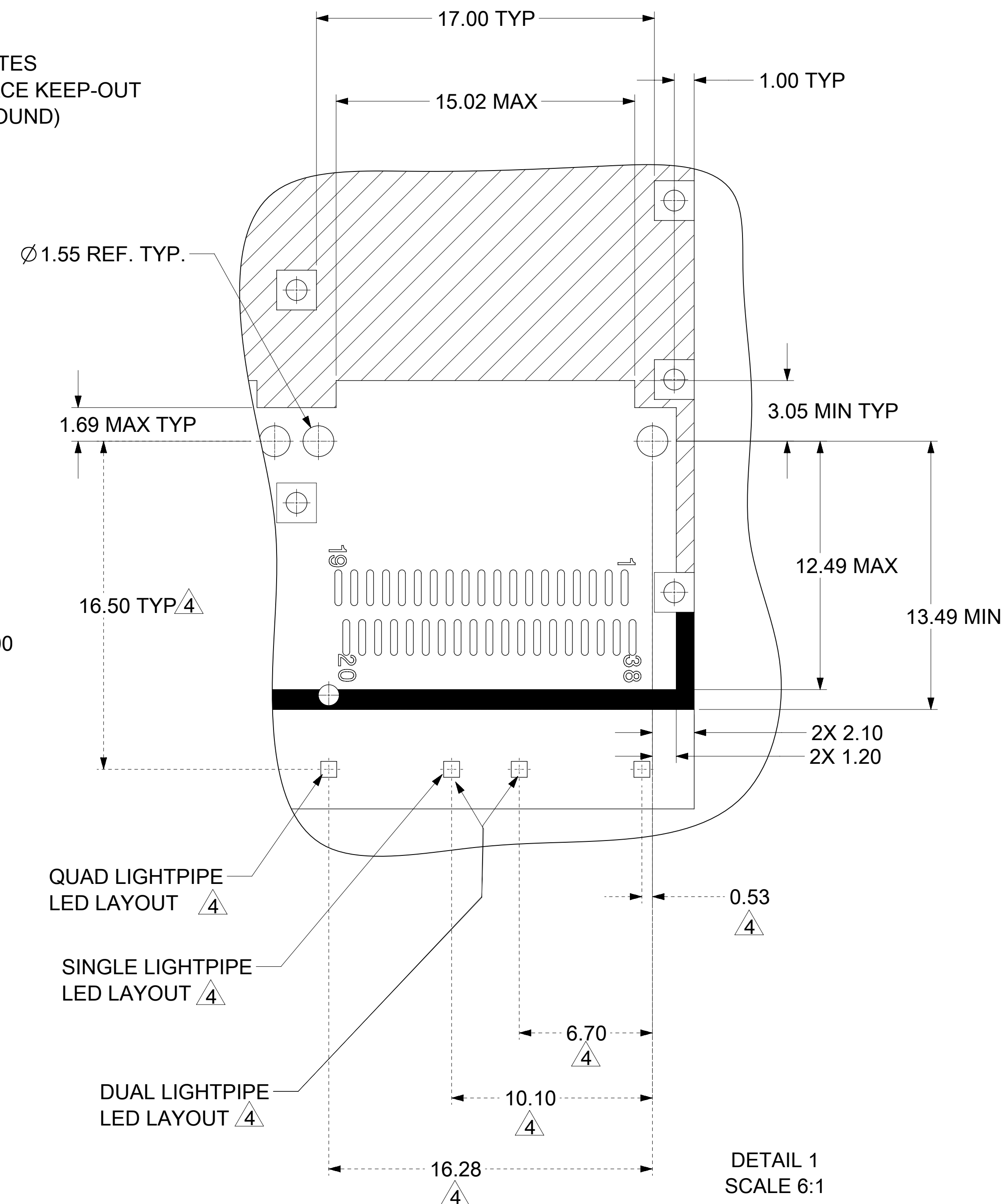
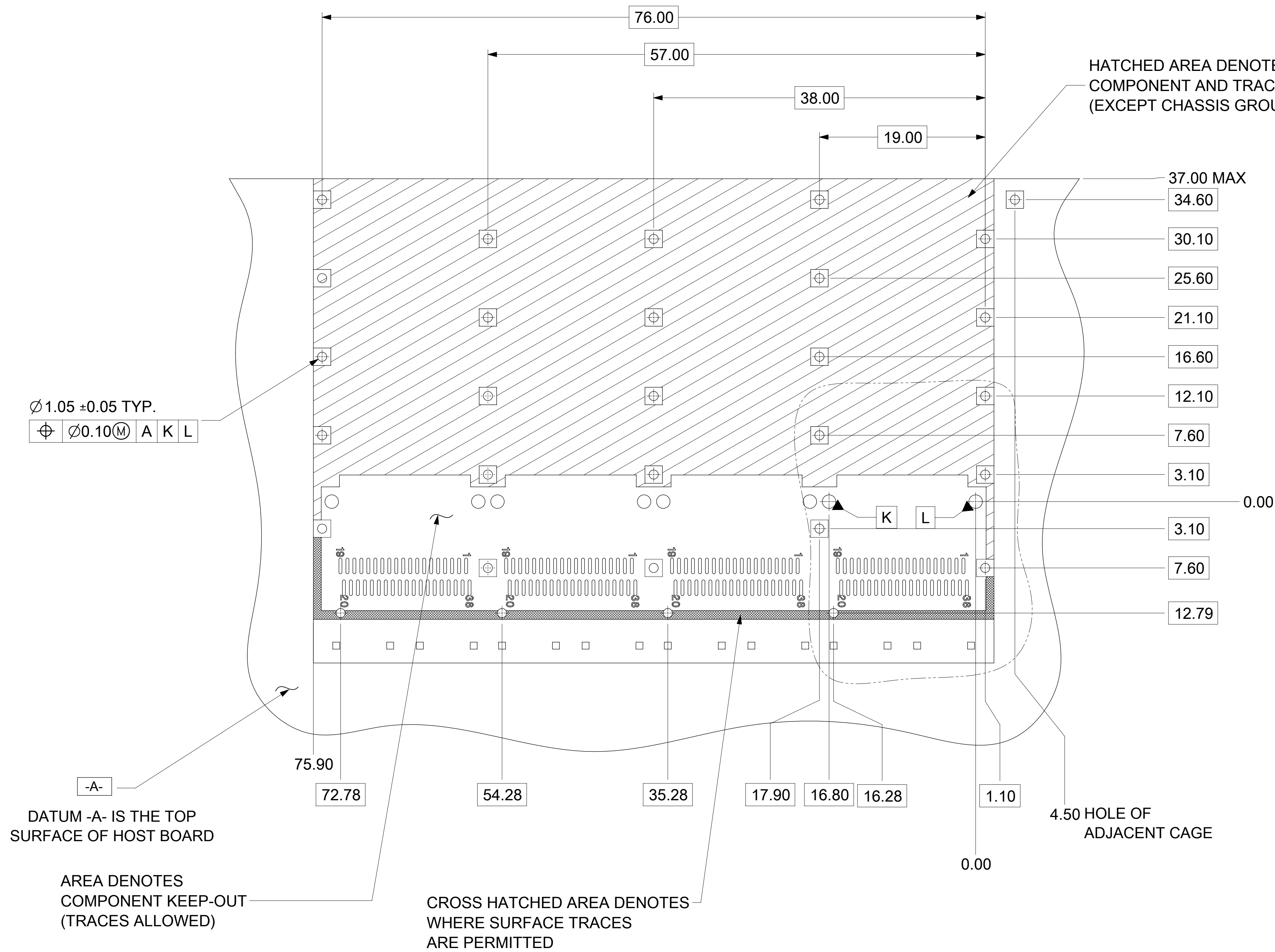


MOLEX P/N	HEATSINKS	#OF REAR LEGS PER PORT
1000171343	PCI	1
1000171344	SAN	1

THIS DRAWING CONTAINS INFORMATION THAT IS PROPRIETARY TO MOLEX ELECTRONIC TECHNOLOGIES, LLC AND SHOULD NOT BE USED WITHOUT WRITTEN PERMISSION

DIMENSION UNITS mm	SCALE 1.5:1	CURRENT REV DESC: REMOVED OBSOLETE PART NUMBER AS PER PCN#511781.			
GENERAL TOLERANCES (UNLESS SPECIFIED)					
ANGULAR TOL ± 1.0°		EC NO: 713004	PRODUCT CUSTOMER DRAWING		
4 PLACES ±		DRWN: SANTHN 2022/07/05	DOCUMENT NUMBER		
3 PLACES ±		CHK'D: GGA 2022/07/18	1000171200		
2 PLACES ± 0.13		APPR: GGA 2022/07/18	DOC TYPE	DOC PART	REVISION
1 PLACE ± 0.25		INITIAL REVISION: DRWN: KNAGANNA 2015/06/03 APPR: RCHEN08 2016/01/11	PSD	SD	L2
0 PLACES ±			MATERIAL NUMBER		SHEET NUMBER
DRAFT WHERE APPLICABLE MUST REMAIN WITHIN DIMENSIONS	THIRD ANGLE PROJECTION	DRAWING	CUSTOMER	SEE TABLE	
		D-SIZE	GENERAL MARKET	3 OF 10	
		SERIES		100017	

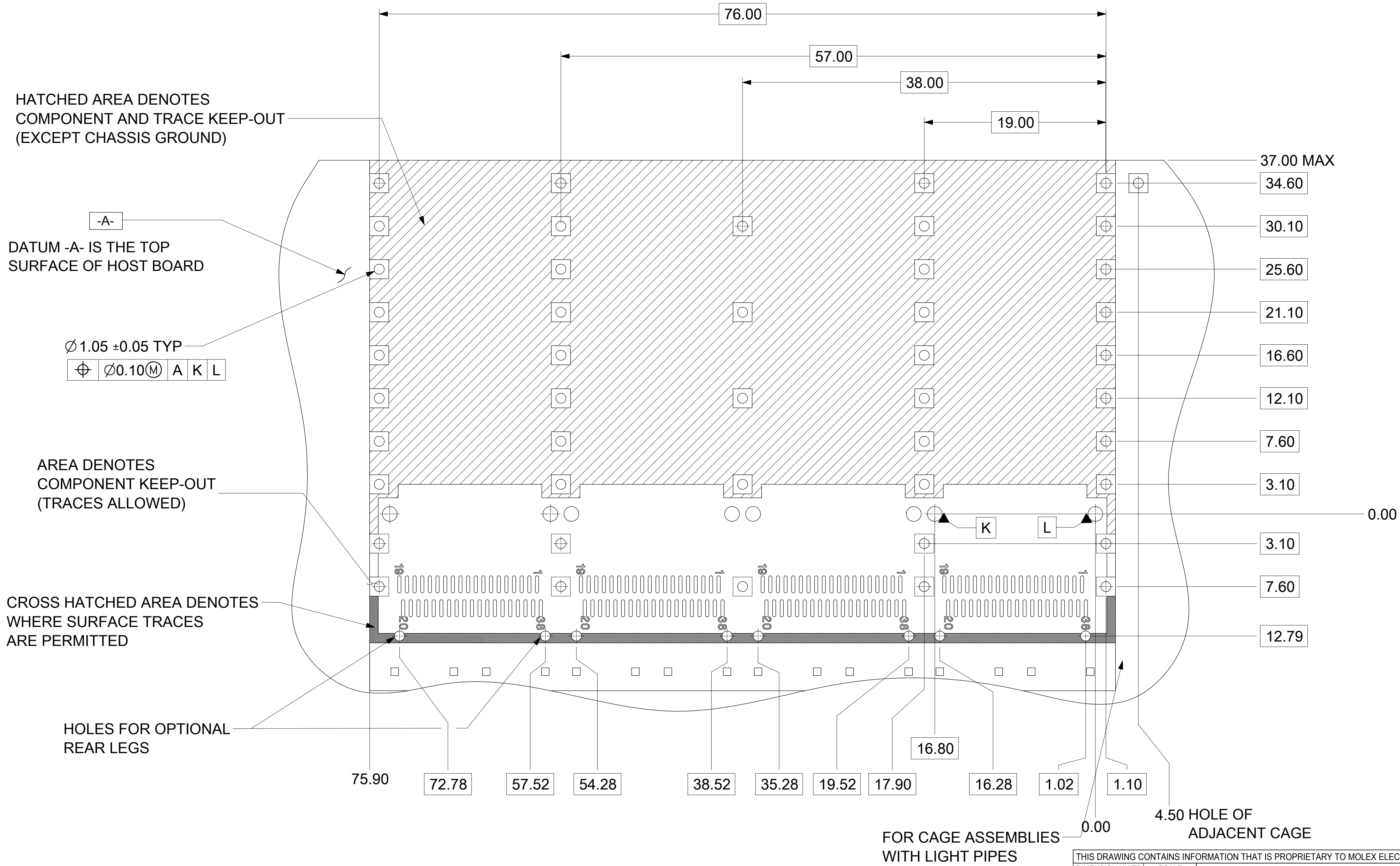
PCB LAYOUT FOR SINGLE SIDED MOUNTING



- NOTES:
1. PADS AND VIAS GO TO CHASSIS GROUND. (RECOMMENDED PADS TO BE 2.00mm SQUARE.)
 2. RECOMMENDED THRU HOLE PLATING INCLUDES HASL, OSP, OR IMMERSION (GOLD, SILVER, OR TIN).
 3. CONNECTOR PAD LAYOUT PER SFF-8663 WILL ACCOMODATE MOLEX CONNECTOR SERIES 170432.
 4. NOTED DIMENSIONS ONLY APPLY TO CAGE ASSEMBLIES WITH LIGHT PIPES.

THIS DRAWING CONTAINS INFORMATION THAT IS PROPRIETARY TO MOLEX ELECTRONIC TECHNOLOGIES, LLC AND SHOULD NOT BE USED WITHOUT WRITTEN PERMISSION									
DIMENSION UNITS	SCALE	CURRENT REV DESC: REMOVED OBSOLETE PART NUMBER AS PER PCN#511781.							
mm	3.5:1	molex ZQSFP+ 1X4 GANGED CAGE ASSY'S (SPRING FINGER) WITH H/S & L/P OPTIONS PRODUCT CUSTOMER DRAWING							
GENERAL TOLERANCES (UNLESS SPECIFIED)									
ANGULAR TOL	± 1.0°								
4 PLACES	±								
3 PLACES	±								
2 PLACES	± 0.13	EC NO: 713004	2022/07/05	DOCUMENT NUMBER					
1 PLACE	± 0.25	DRWN: SANTHN	2022/07/18	DOC TYPE					
0 PLACES	±	CHK'D: GGA	2022/07/18	DOC PART					
DRAFT WHERE APPLICABLE MUST REMAIN WITHIN DIMENSIONS		APPR: GGA	2022/07/18	REVISION					
THIRD ANGLE PROJECTION		INITIAL REVISION:		DOCUMENT NUMBER					
D-DRAWING		DRWN: KNAGANNA	2015/06/03	1000171200					
S-SERIES		APPR: RCHEN08	2016/01/11	PSD SD L2					
D-SIZE		SERIES		MATERIAL NUMBER		CUSTOMER		SHEET NUMBER	
100017		100017		SEE TABLE		GENERAL MARKET		4 OF 10	

PCB LAYOUT FOR BELLY TO BELLY MOUNTING



HATCHED AREA DENOTES COMPONENT AND TRACE KEEP-OUT (EXCEPT CHASSIS GROUND)

-A-
DATUM -A- IS THE TOP SURFACE OF HOST BOARD

Ø 1.05 ± 0.05 TYP

Ø	Ø0.10	M	A	K	L
---	-------	---	---	---	---

AREA DENOTES COMPONENT KEEP-OUT (TRACES ALLOWED)

CROSS HATCHED AREA DENOTES WHERE SURFACE TRACES ARE PERMITTED

HOLES FOR OPTIONAL REAR LEGS

NOTE:
SEE SHEET 4 FOR HOST CONNECTOR DETAIL AND SINGLE ROW LED LOCATION DETAIL

SEE SHEET 6 FOR DUAL-QUAD LED LOCATION DETAIL

- NOTES:
- PADS AND VIAS GO TO CHASSIS GROUND. (RECOMMENDED PADS TO BE 2.00mm SQUARE.)
 - RECOMMENDED THRU HOLE PLATING INCLUDES HASL, OSP, OR IMMERSION (GOLD, SILVER, OR TIN).
 - CONNECTOR PAD LAYOUT PER SFF-8663 WILL ACCOMMODATE MOLEX CONNECTOR SERIES 170432.

THIS DRAWING CONTAINS INFORMATION THAT IS PROPRIETARY TO MOLEX ELECTRONIC TECHNOLOGIES, LLC AND SHOULD NOT BE USED WITHOUT WRITTEN PERMISSION

DIMENSION UNITS: mm
SCALE: 4:1

GENERAL TOLERANCES (UNLESS SPECIFIED)

ANGULAR TOL	± 1.0°
4 PLACES	±
3 PLACES	±
2 PLACES	± 0.13
1 PLACE	± 0.25
0 PLACES	±

CURRENT REV DESC: REMOVED OBSOLETE PART NUMBER AS PER PCN#511781.

EC NO: 713004
 DRWN: SANTHN 2022/07/05
 CHK'D: GGA 2022/07/18
 APPR: GGA 2022/07/18
 INITIAL REVISION:
 DRWN: KNAGANNA 2015/06/03
 APPR: RCHEN08 2016/01/11

molex

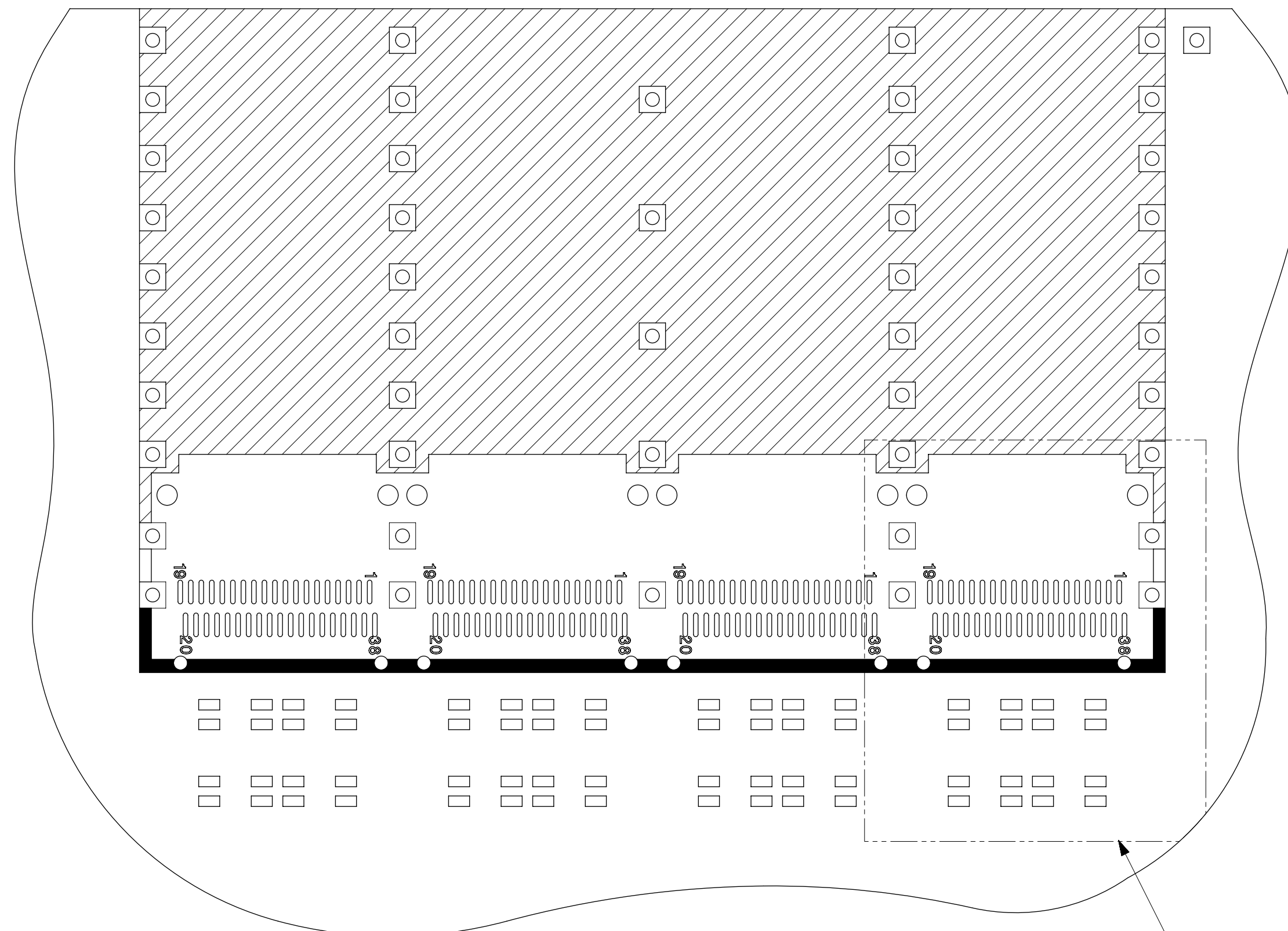
ZQSFP+ 1X4 GANGED CAGE ASSY'S (SPRING FINGER) WITH H/S & L/P OPTIONS

PRODUCT CUSTOMER DRAWING

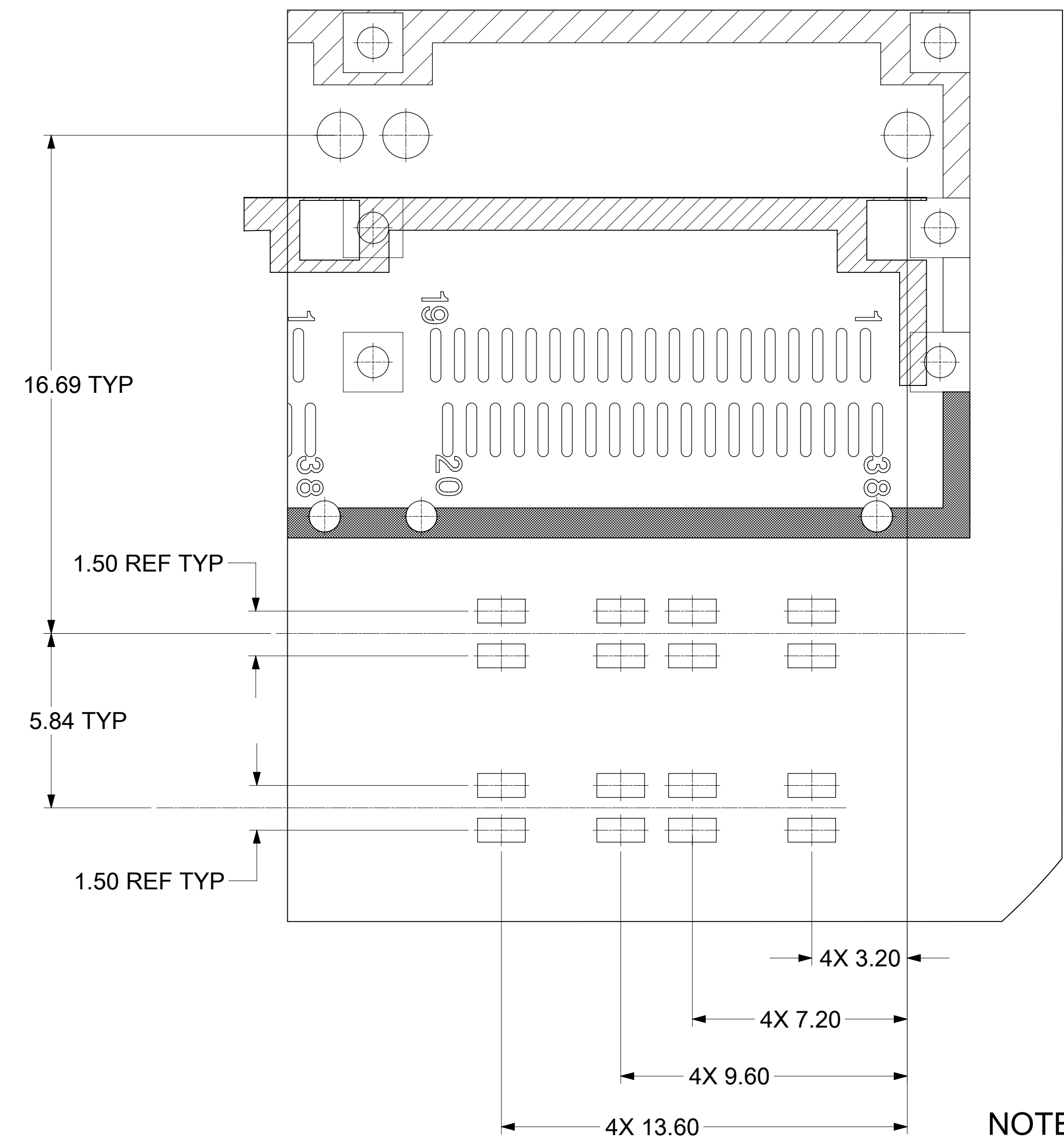
DOCUMENT NUMBER	DOC TYPE	DOC PART	REVISION
1000171200	PSD	SD	L2

DRAFT WHERE APPLICABLE MUST REMAIN WITHIN DIMENSIONS	THIRD ANGLE PROJECTION	DRAWING	SERIES	MATERIAL NUMBER	CUSTOMER	SHEET NUMBER
		D-SIZE	100017	SEE TABLE	GENERAL MARKET	5 OF 10

LED PLACEMENT FOR 2 ROW QUAD LIGHT PIPE



SEE Detail 1

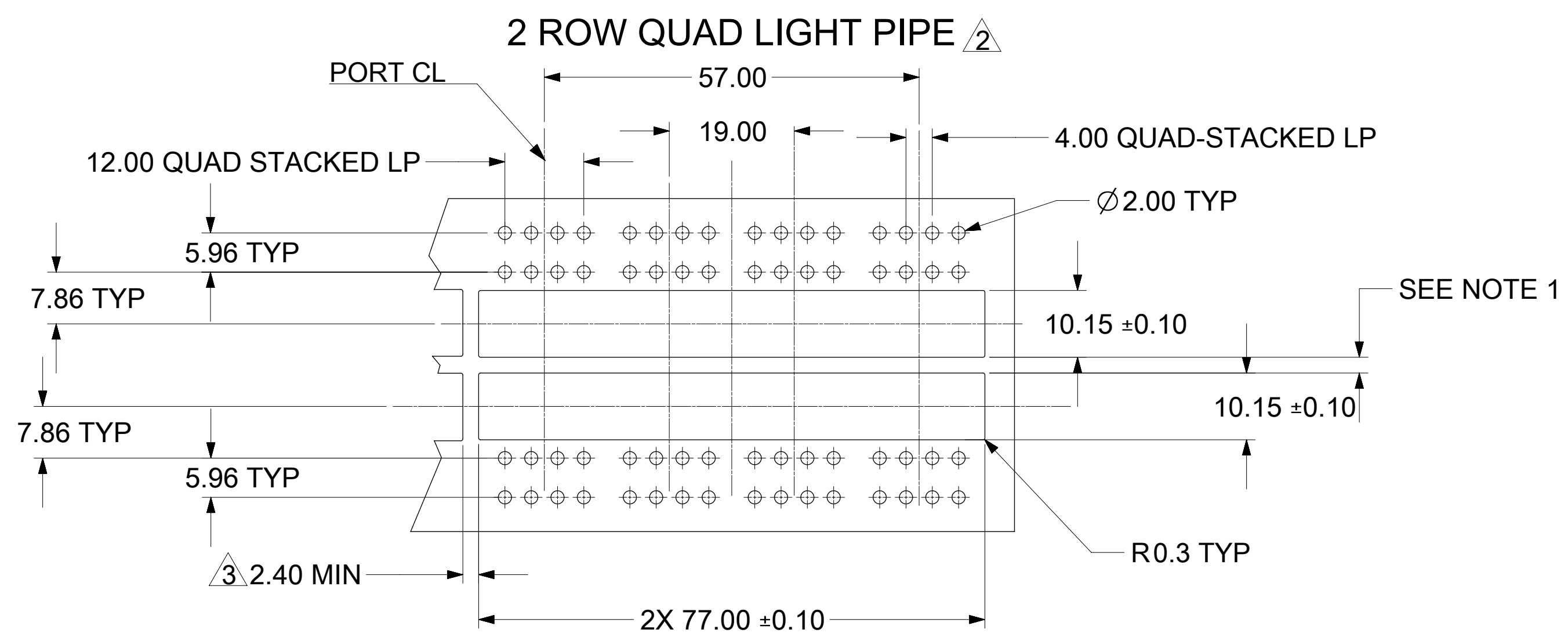
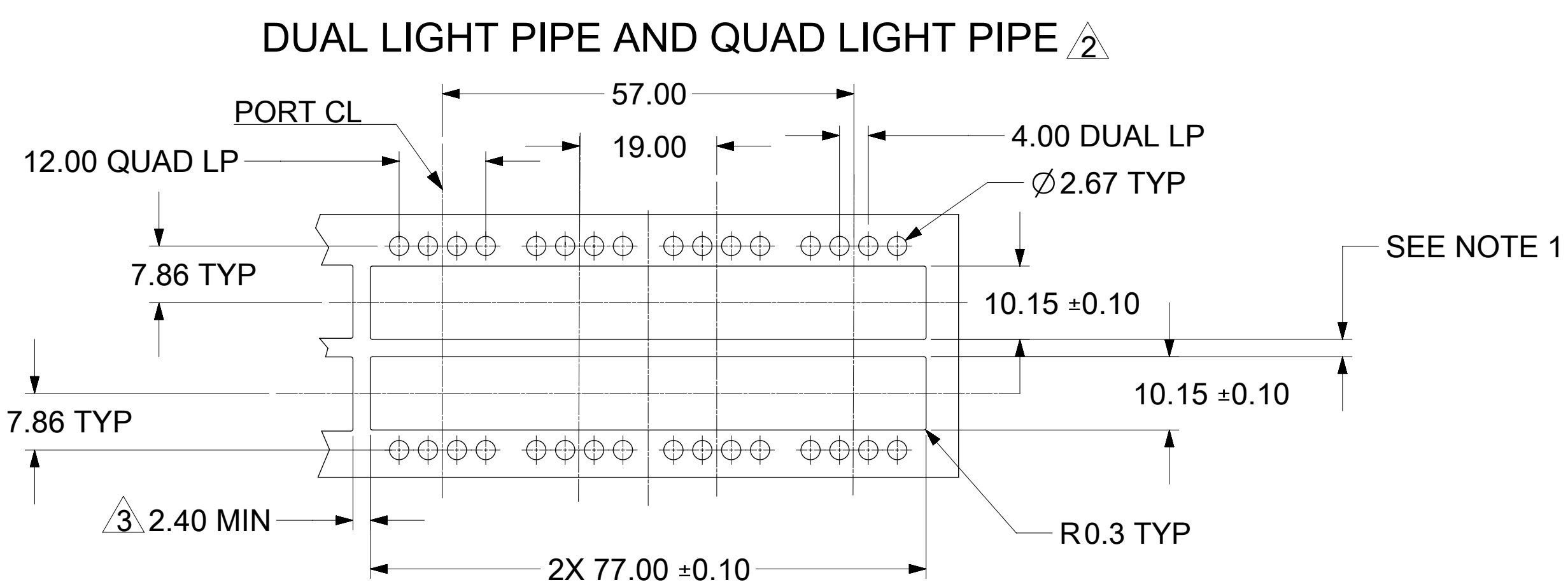
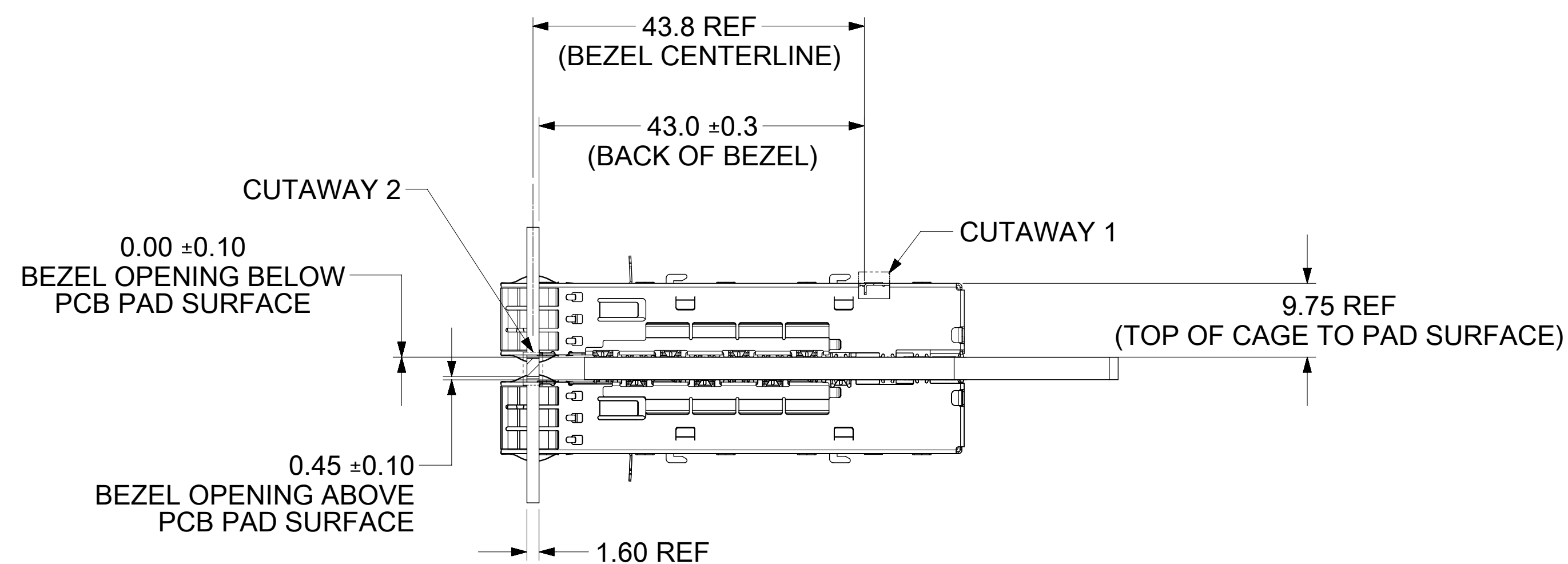
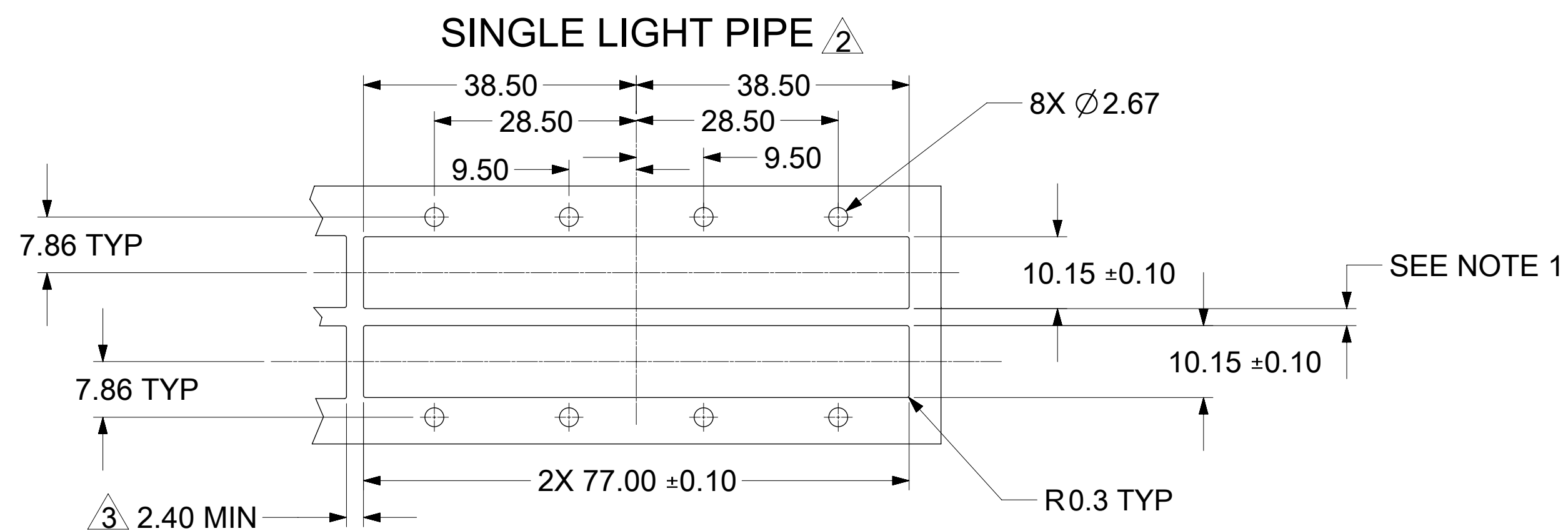


Detail 1
Scale 8:1

NOTE:
SEE SHEET 4 FOR HOST
CONNECTOR DETAIL

THIS DRAWING CONTAINS INFORMATION THAT IS PROPRIETARY TO MOLEX ELECTRONIC TECHNOLOGIES, LLC AND SHOULD NOT BE USED WITHOUT WRITTEN PERMISSION											
DIMENSION UNITS mm		SCALE 3:1		CURRENT REV DESC: REMOVED OBSOLETE PART NUMBER AS PER PCN#511781.						molex	
GENERAL TOLERANCES (UNLESS SPECIFIED)				EC NO: 713004							
ANGULAR TOL ± 1.0°				DRWN: SANTHN 2022/07/05						ZQSFP+ 1X4 GANGED CAGE	
4 PLACES ±				CHK'D: GGA 2022/07/18						ASSY'S (SPRING FINGER) WITH H/S & L/P OPTIONS	
3 PLACES ±				APPR: GGA 2022/07/18						PRODUCT CUSTOMER DRAWING	
2 PLACES ± 0.13				INITIAL REVISION:						DOCUMENT NUMBER	
1 PLACE ± 0.25				DRWN: KNAGANNA 2015/06/03						1000171200	
0 PLACES ±				APPR: RCHEN08 2016/01/11						PSD SD L2	
DRAFT WHERE APPLICABLE MUST REMAIN WITHIN DIMENSIONS				THIRD ANGLE PROJECTION		DRAWING SERIES		MATERIAL NUMBER		CUSTOMER	
				D-SIZE		100017		SEE TABLE		GENERAL MARKET	
										SHEET NUMBER	
										6 OF 10	

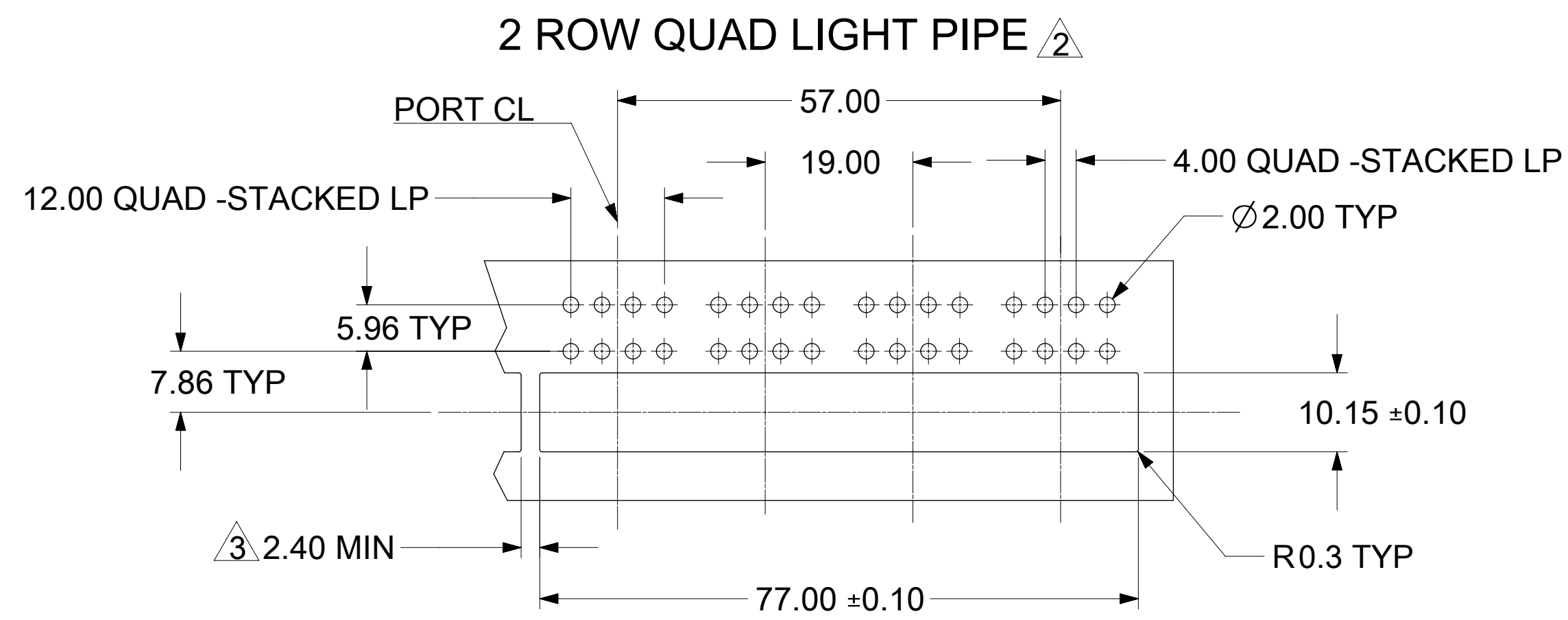
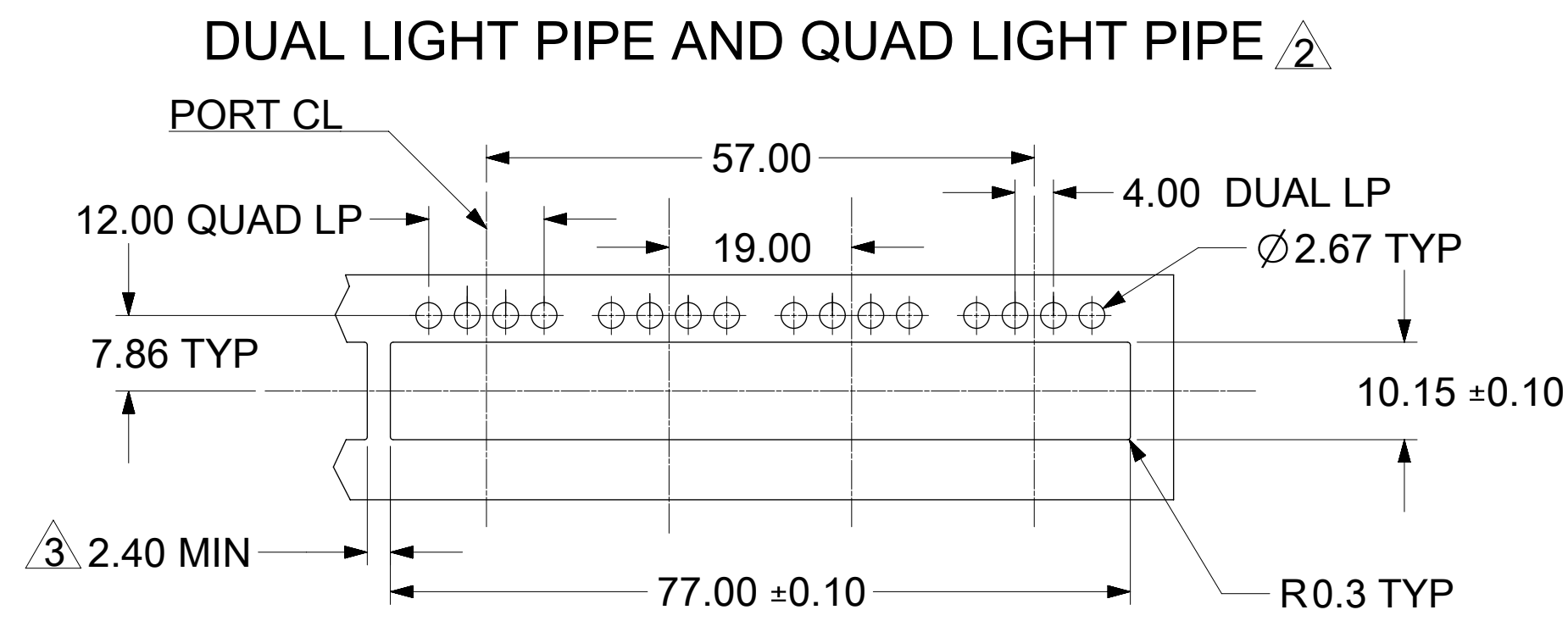
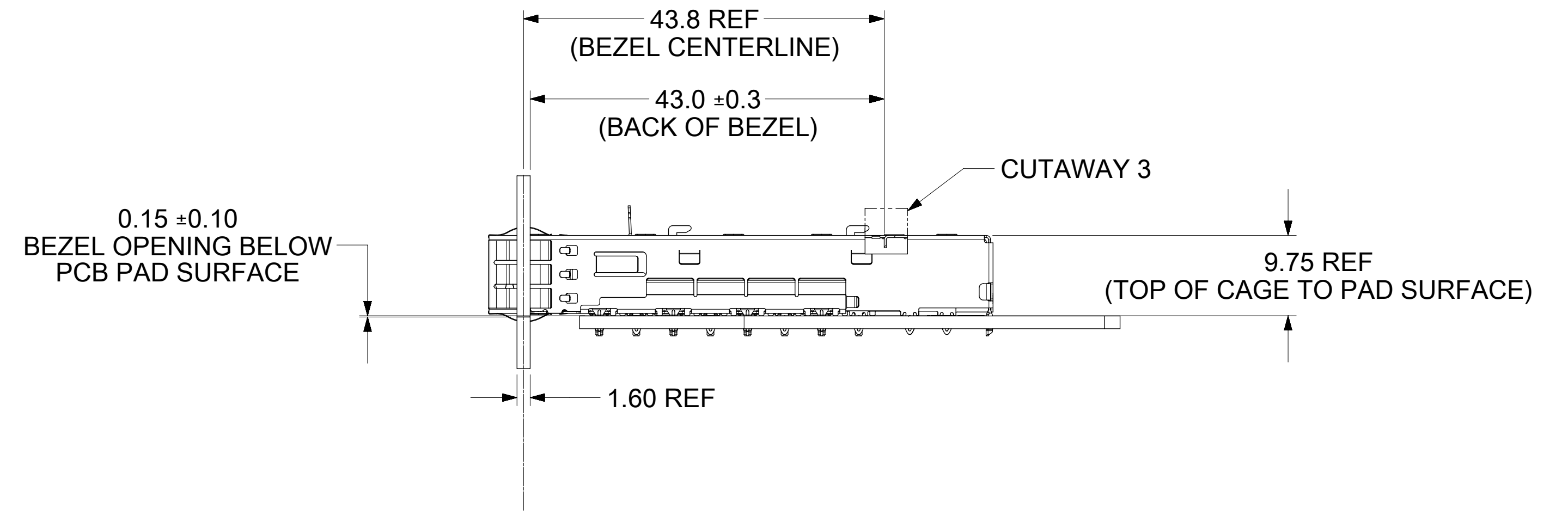
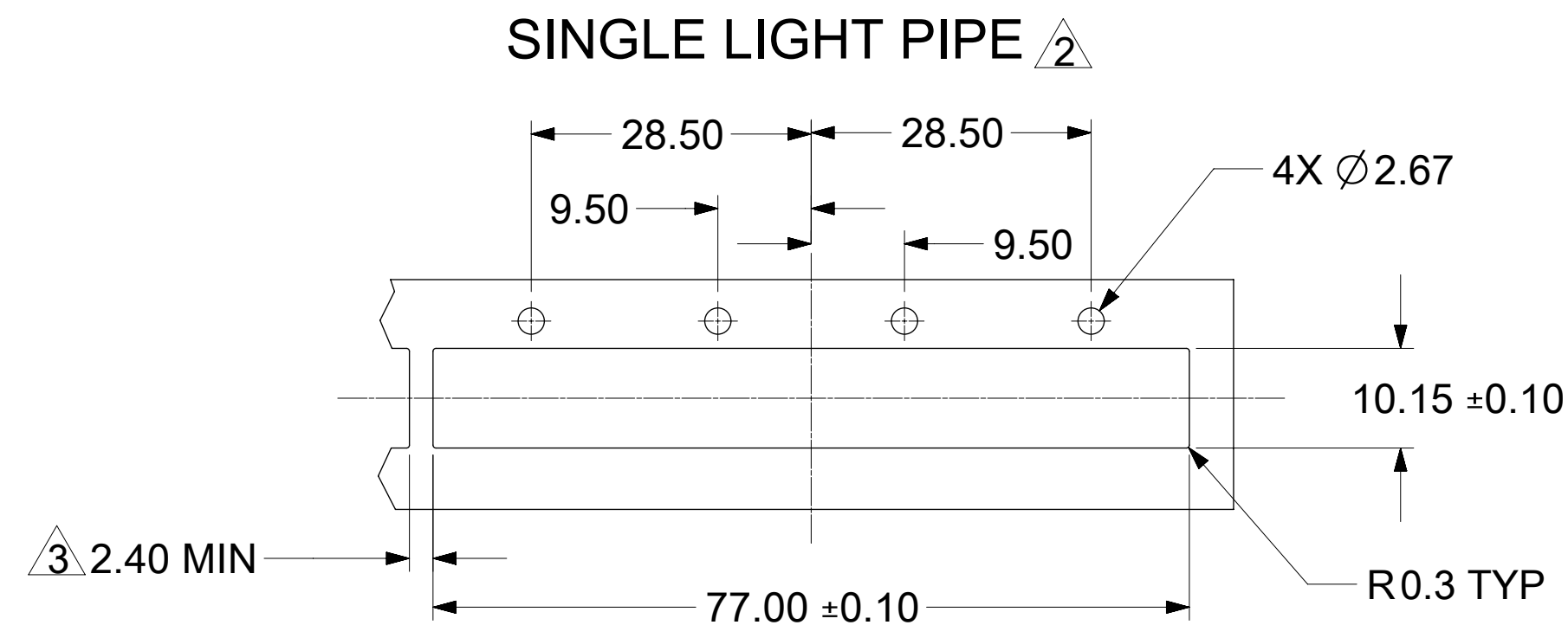
BEZEL AND BOARD POSITION DIMENSIONS FOR BELLY TO BELLY MOUNTING



NOTE:
 1. PCB THICKNESS VARIATION MUST BE CONSIDERED WHEN DETERMINING BEZEL OPENING LOCATION.
 2. NOTED DIMENSIONS ONLY APPLY TO CAGE ASSEMBLIES WITH LIGHT PIPES.
 3. THIS DIMENSION IS FOR REFERENCE ONLY. USER CAN MODIFY IT DEPENDS ON APPLICATION. (THIS DIMENSION VARIES BASED ON DISTANCE OF " HOLE OF ADJACENT CAGE" ON PCB LAYOUT.)

THIS DRAWING CONTAINS INFORMATION THAT IS PROPRIETARY TO MOLEX ELECTRONIC TECHNOLOGIES, LLC AND SHOULD NOT BE USED WITHOUT WRITTEN PERMISSION										
DIMENSION UNITS	SCALE	CURRENT REV DESC: REMOVED OBSOLETE PART NUMBER AS PER PCN#511781.								
mm	2.5:1	<div style="text-align: center;">molex</div> ZQSFP+ 1X4 GANGED CAGE ASSY'S (SPRING FINGER) WITH H/S & L/P OPTIONS PRODUCT CUSTOMER DRAWING								
GENERAL TOLERANCES (UNLESS SPECIFIED)										
ANGULAR TOL	± 1.0°									
4 PLACES	±									
3 PLACES	±									
2 PLACES	± 0.13	EC NO: 713004	2022/07/05	DOCUMENT NUMBER				DOC TYPE	DOC PART	REVISION
1 PLACE	± 0.25	DRWN: SANTHN	2022/07/18	1000171200				PSD	SD	L2
0 PLACES	±	CHK'D: GGA	2022/07/18	SERIES				MATERIAL NUMBER	CUSTOMER	SHEET NUMBER
DRAFT WHERE APPLICABLE MUST REMAIN WITHIN DIMENSIONS		APPR: GGA	2022/07/18	100017				SEE TABLE	GENERAL MARKET	7 OF 10
THIRD ANGLE PROJECTION		INITIAL REVISION:	2015/06/03	DRAWING						
		DRWN: KNAGANNA	2016/01/11	D-SIZE						
		APPR: RCHEN08								

BEZEL AND BOARD POSITION DIMENSIONS FOR SINGLE SIDE MOUNTING




THIS DRAWING CONTAINS INFORMATION THAT IS PROPRIETARY TO MOLEX ELECTRONIC TECHNOLOGIES, LLC AND SHOULD NOT BE USED WITHOUT WRITTEN PERMISSION										
DIMENSION UNITS	SCALE	CURRENT REV DESC: REMOVED OBSOLETE PART NUMBER AS PER PCN#511781.			molex					
mm	1:1									
GENERAL TOLERANCES (UNLESS SPECIFIED)		EC NO: 713004			ZQSFP+ 1X4 GANGED CAGE ASSY'S (SPRING FINGER) WITH H/S & L/P OPTIONS					
ANGULAR TOL ± 1.0°		DRWN: SANTHN 2022/07/05			PRODUCT CUSTOMER DRAWING					
4 PLACES ±		CHK'D: GGA 2022/07/18			DOCUMENT NUMBER					
3 PLACES ±		APPR: GGA 2022/07/18			1000171200			PSD	SD	L2
2 PLACES ± 0.13		INITIAL REVISION:			DOC TYPE					
1 PLACE ± 0.25		DRWN: KNAGANNA 2015/06/03			DOC PART					
0 PLACES ±		APPR: RCHEN08 2016/01/11			REVISION					
DRAFT WHERE APPLICABLE MUST REMAIN WITHIN DIMENSIONS		THIRD ANGLE PROJECTION	DRAWING	SERIES	MATERIAL NUMBER	CUSTOMER	SHEET NUMBER			
			D-SIZE	100017	SEE TABLE	GENERAL MARKET	8 OF 10			

NOTE:
 1. PCB THICKNESS VARIATION MUST BE CONSIDERED WHEN DETERMINING BEZEL OPENING LOCATION.
 2. NOTED DIMENSIONS ONLY APPLY TO CAGE ASSEMBLIES WITH LIGHT PIPES.
 3. THIS DIMENSION IS FOR REFERENCE ONLY. USER CAN MODIFY IT DEPENDS ON APPLICATION. (THIS DIMENSION VARIES BASED ON DISTANCE OF " HOLE OF ADIACENT CAGE" ON PCB LAYOUT.)

DOCUMENT STATUS	P1	RELEASE DATE	2022/07/18	12:22:51
-----------------	----	--------------	------------	----------

REV	DATE	DESCRIPTION
A	03/29/2013	RELEASE
B	06/26/2013	ADDED DIM 12.77 AT G-9 ON SHEET 4.
C	02/05/2014	SHEET 3: ADDED VIEW AND P/N TABLE FOR CLOSED TOP W/LP. SHEET 4/5: EXPANDED ALLOWABLE AREA WHERE SURFACE TRACES ARE PERMITTED. REMOVED "HOLE PATTERN REPEATS FOR EACH PORT." FROM NOTE 4
D	07/15/2014	SHEET 1: ADDED MATERIAL INFORMATION TO NOTES. SHEET 2: MADE HEATSINK HEIGHT DIMENSIONS REF. CHANGED REAR MOST LEG ON BOTH SIDES OF ALL CAGES FROM 3D PRESSFIT TO EYE-OF-THE-NEEDLE PRESSFIT LEG.
E	10/6/2014	ADDED 2 ROW QUAD LIGHT PIPE OPTION SHEET 2: CHANGED HEATSINK HEIGHT DIMENSIONS TO REF J14: DIM 67.48 CHANGED TO REF SHEET 4: MOVED DATUMS "K" AND "L" TO CONNECTOR HOLES REMOVED BASIC FROM "0.00" POSITIONS SHEET 5: MOVED DATUMS "K" AND "L" TO CONNECTOR HOLES REMOVED BASIC FROM "0.00" POSITIONS H18: MADE HOLE DIAMETER DIMENSION TYP SHEET 7: EDIT NOTE 1, REMOVED "SIZE" REMOVED NOTE 1 FROM ALL "10.15" DIMENSIONS
F	3/12/2015	ADDED 1000171255 & LIGHT PIPE FEATURE IN COLUMN @ M10 ON SHEET3.
G	04/14/2015	SHEET 4: REVISED DIM "WAS" 12.77 "NOW" 12.79 @G9 REVISED FRAMED TEXT NUMBER 4 TRIANGLES TO FRAMED TEXT NUMBER 5 @D5, @E4, @E6, @F4, @F6, AND @H7 SHEET 5: REVISED DIM "WAS" 12.77 "NOW" 12.79 @F7 REMOVED NOTE 4 AND REVISED NOTE 5 TO NOTE 4 REMOVED NOTE 4 @A20 REMOVED SEE NOTE 4 AND ADDED DIMS @K11, K12, K13, AND @K14 SHEET 6: REVISED PORT CL "WAS" (4) "NOW" PORT CL @E7, D17, G17 AND @H7
H	06/16/2015	SHEET 1: C7: CHANGED YR FROM 12,13,14 ETC.(EXAMPLE: YEAR 2012=12) TO 15,16,17 ETC.(EXAMPLE: YEAR 2015=15) SHEET 3: B18: ADDED PN 1000171649 CUSTOM H/S 19mm TO HEATSINK AND LIGHT PIPE TABLE SHEET 6: CHANGED REVISION DESCRIPTION FROM ENTER DESCRIPTION TO SEE REVISION TABLE CHANGED MATERIAL NO. FROM 9999999999 TO SEE DRAWING
J	06/26/2015	REMASTERED FROM SD-100017-1200_REV-H
J1	01/04/2016	UP-REVISIED TO CORRECT THE MODEL
J2	01/07/2016	CHANGED DOCUMENT FROM RSD TO SD
J3	2016/01/15	UPDATE DRAWING FORMAT TO NEW SIZE D SHEET 7 & 8: ADDED NOTE: THIS DIMENSION IS FOR REFERENCE ONLY. USER CAN MODIFY IT DEPENDS ON APPLICATION. (THIS DIMENSION VARIES BASED ON DISTANCE OF " HOLE OF ADIACENT CAGE" ON PCB LAYOUT.)
K	2017/06/07	SHEET 4: ADDED PAD TO HOLES & UPDATED VIEWS TO AVOID CONFUSION SHEET 5: ADDED PAD TO HOLES & UPDATED VIEWS TO AVOID CONFUSION C05: ADDED BASIC DIM 19.52 C10: ADDED BASIC DIM 35.28 & 38.52 C12: ADDED BASIC DIM 54.28 & 57.52 C13: ADDED BASIC DIM 72.78 SHEET 6: ADDED PAD TO HOLES & UPDATED VIEWS TO AVOID CONFUSION SHEET 7: J03: CHANGED DIM FROM 9.78 REF TO 9.75 REF SHEET 8: J03: CHANGED DIM FROM 9.78 REF TO 9.75 REF
K1	2019/08/26	OBSOLETED P/N 1000171240,1000171255,1000171448,1000171543,1000171647.
L	2020/08/17	REACTIVATED P/N 1000171255
L1	2021/01/19	REMOVED OBSOLETED PART NUMBERS.

THIS DRAWING CONTAINS INFORMATION THAT IS PROPRIETARY TO MOLEX ELECTRONIC TECHNOLOGIES, LLC AND SHOULD NOT BE USED WITHOUT WRITTEN PERMISSION									
DIMENSION UNITS	SCALE	CURRENT REV DESC: REMOVED OBSOLETED PART NUMBER AS PER PCN#511781.							
mm	1:1								
GENERAL TOLERANCES (UNLESS SPECIFIED)					ZQSFP+ 1X4 GANGED CAGE ASSY'S (SPRING FINGER) WITH H/S & L/P OPTIONS				
ANGULAR TOL ± 1.0°									
4 PLACES	±	EC NO: 713004			PRODUCT CUSTOMER DRAWING				
3 PLACES	±	DRWN: SANTHN 2022/07/05							
2 PLACES	± 0.13	CHK'D: GGA 2022/07/18			DOCUMENT NUMBER: 1000171200 DOC TYPE: PSD DOC PART: SD REVISION: L2				
1 PLACE	± 0.25	APPR: GGA 2022/07/18							
0 PLACES	±	INITIAL REVISION: DRWN: KNAGANNA 2015/06/03			MATERIAL NUMBER: SEE TABLE CUSTOMER: GENERAL MARKET SHEET NUMBER: 9 OF 10				
DRAFT WHERE APPLICABLE MUST REMAIN WITHIN DIMENSIONS		APPR: RCHEN08 2016/01/11							
THIRD ANGLE PROJECTION		DRAWING: D-SIZE			SERIES: 100017				

DOCUMENT STATUS	P1	RELEASE DATE	2022/07/18	12:22:51
-----------------	----	--------------	------------	----------

REV	DATE	DESCRIPTION
L2	2022/07/05	REMOVED OBSOLETE PART NUMBERS 1000171242, 1000171340, 1000171345, 1000171441, 1000171443, 1000171444, 1000171446, 1000171447, 1000171542, 1000171544, 1000171545, 1000171547, 1000171548, 1000171649.

THIS DRAWING CONTAINS INFORMATION THAT IS PROPRIETARY TO MOLEX ELECTRONIC TECHNOLOGIES, LLC AND SHOULD NOT BE USED WITHOUT WRITTEN PERMISSION										
DIMENSION UNITS mm	SCALE 1:1	CURRENT REV DESC: REMOVED OBSOLETE PART NUMBER AS PER PCN#511781.			molex					
GENERAL TOLERANCES (UNLESS SPECIFIED)		EC NO: 713004 DRWN: SANTHN 2022/07/05 CHK'D: GGA 2022/07/18 APPR: GGA 2022/07/18 INITIAL REVISION: DRWN: KNAGANNA 2015/06/03 APPR: RCHEN08 2016/01/11								ZQSFP+ 1X4 GANGED CAGE ASSY'S (SPRING FINGER) WITH H/S & L/P OPTIONS
ANGULAR TOL ± 1.0°					PRODUCT CUSTOMER DRAWING					
4 PLACES ±					DOCUMENT NUMBER			DOC TYPE	DOC PART	REVISION
3 PLACES ±					1000171200			PSD	SD	L2
2 PLACES ± 0.13		MATERIAL NUMBER			CUSTOMER		SHEET NUMBER			
1 PLACE ± 0.25		SEE TABLE			GENERAL MARKET		10 OF 10			
0 PLACES ±		DRAFT WHERE APPLICABLE MUST REMAIN WITHIN DIMENSIONS		THIRD ANGLE PROJECTION	DRAWING	SERIES				
					D-SIZE	100017				

DOCUMENT STATUS	P1	RELEASE DATE	2022/07/18 12:22:51
-----------------	----	--------------	---------------------