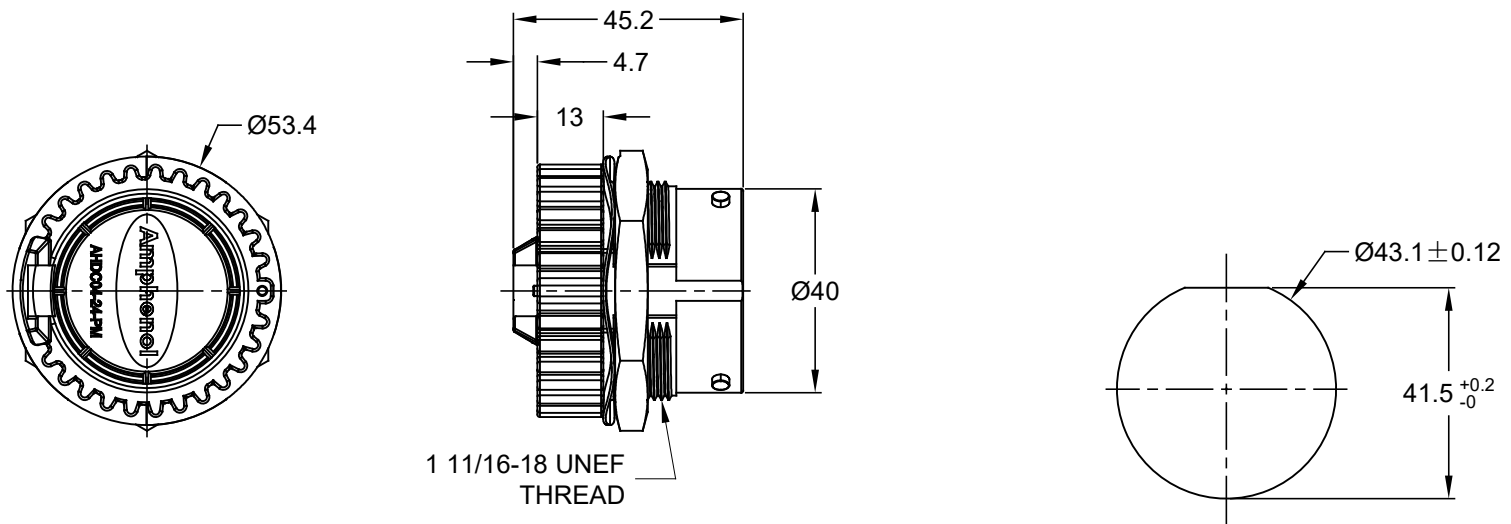


REVISIONS					
REV	ECO	DESCRIPTION	DATE	BY	APPR
01		PRELIMINARY DRAWING	08NOV16	SULLENTOMMY	
02		DESIGN CHANGE	16MAY17	SULLENTOMMY	
03		CHANGE P/N TO AHDC04-24-PM	01JUN17	SULLENTOMMY	
04		REMOVE CORD	15AUG17	SULLENTOMMY	



RECOMMENDED PANEL MOUNTING HOLE  
RECOMMENDED PANEL THICKNESS: 1.6 TO 4.7MM

NOTES: UNLESS OTHERWISE SPECIFIED

- MATERIAL:  
SHELL: THERMOPLASTIC  
NUT: THERMOPLASTIC  
SEAL: SILICONE RUBBER  
LOCK WASHER: STEEL
- COLORS: BLACK
- RoHS COMPLIANT
- COMPATIBLE WITH ALL SIZE 24 AHDP SERIES PLUG.
- ALL DIMENSIONS ARE FOR REFERENCE USE ONLY.

AHDC04-24-PM				
PART NUMBER		DESCRIPTION		ITEM
QUANTITY	MATERIALS LIST			
UNLESS OTHERWISE SPECIFIED 1) All dimensions are in metric(mm). 2) Tolerances are as follows: 1 PL DEC ±0.30 2 PL DEC ±0.15 3 PL DEC ±0.08 Fractions ±1/64 Angles ±1° 3) Note reference =		SIGNATURES      DATE DRAWN: SULLEN.ZHANG      01JUN17 CHECKED: ORION.LI      01JUN17 ENGINEER: APPROVAL: TOMMY.XIE      01JUN17 CUSTOMER:		<h1>Amphenol</h1> Sine Systems - www.amphenol-sine.com 44724 Morley Drive Clinton Township, MI 48036
MATERIAL SPECIFICATIONS:		THIS DRAWING IS SUPPLIED FOR INFORMATION ONLY. DESIGN FEATURES, SPECIFICATIONS AND PERFORMANCE DATA SHOWN HEREON ARE THE PROPERTY OF THE AMPHENOL CORPORATION. NO RIGHTS OF REPRODUCTION ARE IMPLIED. ALL DIMENSIONS ARE SUBJECT TO NORMAL MANUFACTURING VARIATIONS.		
PROCESS SPECIFICATIONS:		SIZE: <b>A</b>	TYPE: <b>C-</b>	DWG NO: <b>AHDC04-24-PM</b>
NEXT ASSY:		SCALE: NONE		REVISION: <b>04</b>
				SHEET 1 OF 1