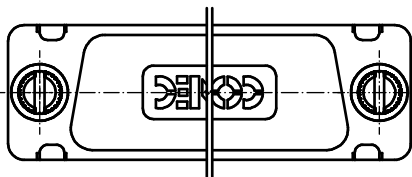
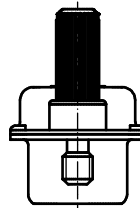
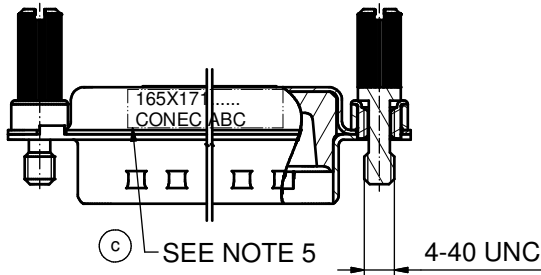
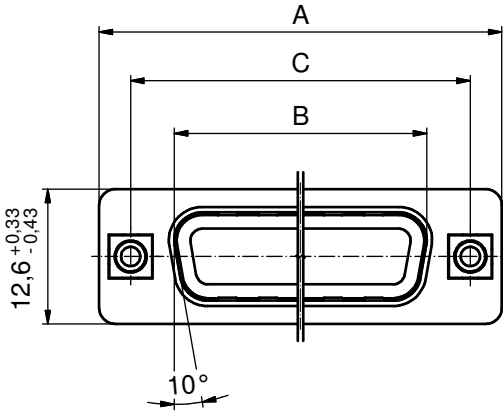
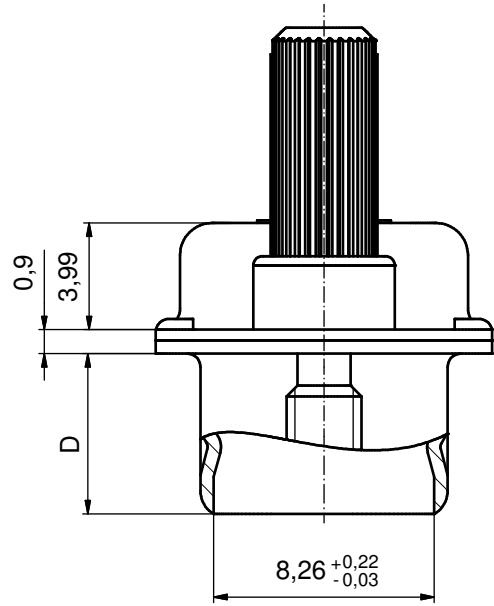


No. of pos.	A _{-0,76}	B _{+0,25}	C	D _{-0,3}	Part-No. Bulk package	Part-No. Single package
9	31,19	16,79	25,00 ^{+0,12} _{-0,13}	6,12	165X17109X	165X17109XE
15	39,52	25,12	33,30 ^{+0,15} _{-0,1}	6,12	165X17119X	165X17119XE
25	53,42	38,84	47,04 ± 0,13	5,99	165X17129X	165X17129XE
37	69,70	55,30	63,50 ± 0,13	5,99	165X17139X	165X17139XE

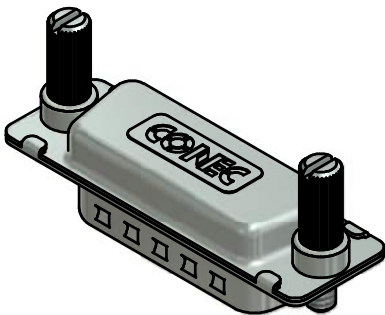
(5:1)

(b)



(c) NOTES:

1. METALSHELLS: COPPER ALLOY; min. 315µm TIN over 40-80µm NICKEL
2. INSULATOR: TPE
3. THREADED INSERTS: BRASS
4. SCREW: STEEL; NICKEL PLATED
5. CONNECTOR IS PART MARKED: PART NO. CONEC ABC



Directive 2002/95/EC RoHS compliant

THIS DRAWING MAY NOT BE COPIED OR REPRODUCED IN ANY WAY, AND MAY NOT BE PASSED ON TO A THIRD PARTY WITHOUT WRITTEN PERMISSION. OWNERSHIP AND COPYRIGHT OF CONEC GmbH DO NOT ALTER CAD DRAWING BY HAND					tolerance	dim. in mm	scale: 2:1 (5:1)			
					date		name	material: SEE NOTES		
					drawn	30.07.03	Lehmenkühler	title: HOOD 9-37pos. WATER RESISTANT AND SHIELDED; FOR EMI/RFI for socket connector, with jack screws		
					appd.	30.07.03	Mickenbecker			
					norm	DIN 41652				
				2 x c	Ä3867	13.01.2011	K.H.	d-old	dwg no: Inventor 10	DIN-A3
				1 x b	Ä3781	21.10.2010	K.H.		16K1A988	sh: 1
				a	Origin					
				rev.	description	date	name			
							part no: SEE TABLE			