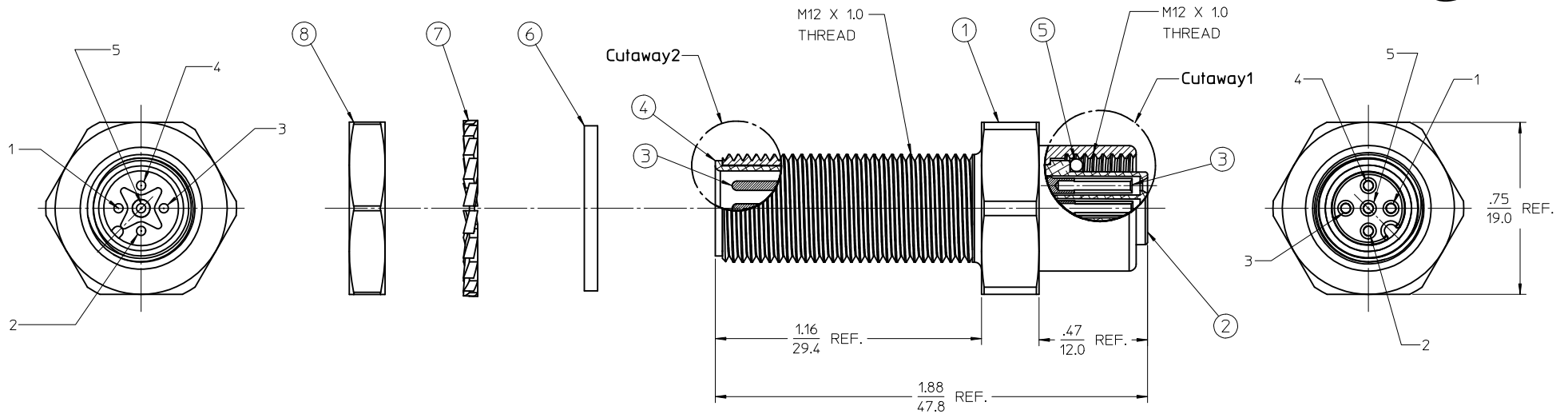
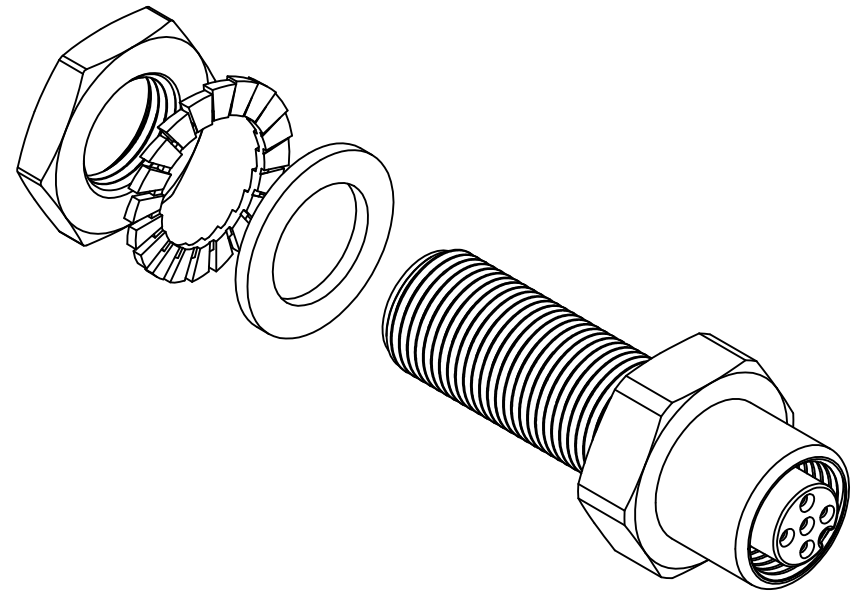


NOTES:

1. MATERIAL: SEE TABLE
2. FINISHES: SEE TABLE
3. PACKAGING: PACKED IN POLY BAG WITH BARCODE LABEL
5. MATES WITH: MIC 5/C CABLE
6. ELECTRICAL SPECIFICATIONS:  
 VOLTAGE RATING: 30VAC, 36 VDC  
 CURRENT RATING: 4.0 AMPS



WIRING DIAGRAM



8	1	HEXNUT	BRASS	NICKEL
7	1	LOCKWASHER	STEEL	ZINC PLATED
6	1	WASHER	RUBBER	BLACK
5	1	O-RING	VITON	RED
4	5	CONTACT, PIN/SOCKET	Cu ALLOY	GOLD PLATED
3	1	INSERT, MALE, 5/C	NYLON	BLACK
2	1	INSERT, FEMALE, 5/C	NYLON	BLACK
1	1	RECEPTACLE SHELL	BRASS	NICKEL PLATED
ITEM	QTY.	DESCRIPTION	MATERIAL	FINISH

RELEASED EC NO: MNA2010-0402 DRWR:STONE 2010/01/05 CHKD:B.WOODMAN 2010/01/07 APPR:J.MURPHY 2010/01/07	QUALITY SYMBOLS
	$\nabla=0$ $\nabla=0$
	DESCRIPTION
	REV

GENERAL TOLERANCES (UNLESS SPECIFIED)	
mm	INCH
4 PLACES ± .005	± .0005
3 PLACES ± .002	± .0002
2 PLACES ± .001	± .0001
1 PLACE ± 0.3	± .012
ANGULAR ± 1/2°	
DRAFT WHERE APPLICABLE MUST REMAIN WITHIN DIMENSIONS	

DIMENSION STYLE	
IN/MM	
DRAWN BY	DATE
R.STONE	2009/12/30
CHECKED BY	DATE
B.WOODMAN	2010/01/06
APPROVED BY	DATE
J.MURPHY	2010/01/08
MATERIAL NO.	
848549300	
SIZE	
THIS DRAWING CONTAINS INFORMATION THAT IS PROPRIETARY TO MOLEX INCORPORATED AND SHOULD NOT BE USED WITHOUT WRITTEN PERMISSION	

SCALE	DESIGN UNITS	THIRD ANGLE PROJECTION
3:1	INCH	
TITLE		
MIC BULKHEAD 5C MALE/FEMALE		
MOLEX INCORPORATED		SHEET NO.
DOCUMENT NO.		1 OF 1
SD-84854-025		