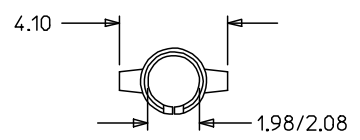
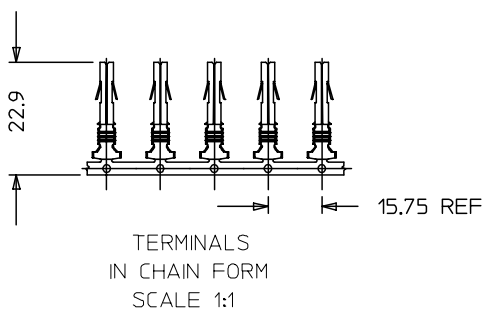
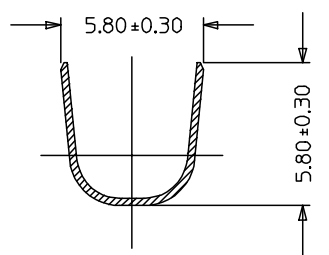
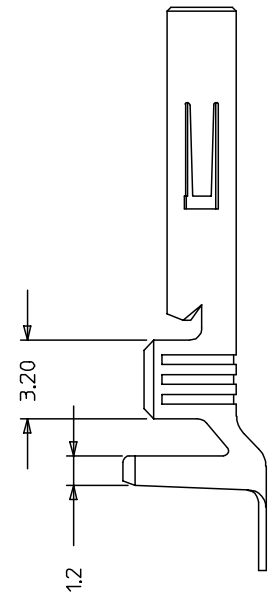
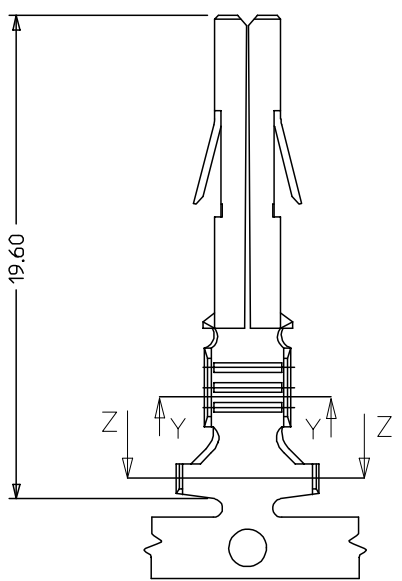
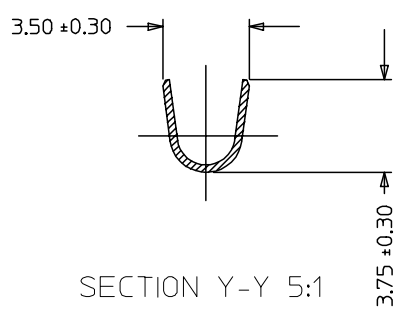


MATERIAL NO.	FINISH	WIRE SIZE	INSULATION DIA	PACKAGING METHOD
36535-0001	SEE NOTE 2	#16-13 AWG	5.10 MAX	CHAIN
36535-0002	SEE NOTE 2	#16-13 AWG	5.10 MAX	LOOSE



- NOTES:
- 1) MATERIAL: BRASS
 - 2) FINISH: HOT TIN DIP, THICKNESS=0.51 MICROMETER
 - 3) SOCKET TERMINALS FOR USE WITH THE 0.084/(2.13) SERIES HOUSINGS
PLUG (42021-**) CAP (42022-**)
 - 4) CRIMP RANGE SEE CHART
 - 5) PRODUCT SPECIFICATION PS-42022-0001 APPLIES



ENTER DESCRIPTION EC NO: 12005-0019 DRWN:SSUDHIR 2004/07/07 CHKD:DGDATA 2004/07/07 APPR:DGDATA 2004/07/08	QUALITY SYMBOLS	GENERAL TOLERANCES (UNLESS SPECIFIED)	SCALE 5:1	DESIGN UNITS METRIC	THIRD ANGLE PROJECTION	REVISE ON CAD ONLY																					
		<table border="1"> <thead> <tr> <th></th> <th>mm</th> <th>INCH</th> </tr> </thead> <tbody> <tr> <td>4 PLACES</td> <td>± ---</td> <td>± ---</td> </tr> <tr> <td>3 PLACES</td> <td>± ---</td> <td>± ---</td> </tr> <tr> <td>2 PLACES</td> <td>± 0.25</td> <td>± ---</td> </tr> <tr> <td>1 PLACE</td> <td>± 0.38</td> <td>± ---</td> </tr> </tbody> </table>		mm	INCH	4 PLACES	± ---	± ---	3 PLACES	± ---	± ---	2 PLACES	± 0.25	± ---	1 PLACE	± 0.38	± ---	<table border="1"> <thead> <tr> <th colspan="2">DIMENSION STYLE</th> </tr> <tr> <th>mm</th> <th>INCH</th> </tr> </thead> <tbody> <tr> <td>MM ONLY</td> <td></td> </tr> </tbody> </table>	DIMENSION STYLE		mm	INCH	MM ONLY		TITLE		
			mm	INCH																							
		4 PLACES	± ---	± ---																							
3 PLACES	± ---	± ---																									
2 PLACES	± 0.25	± ---																									
1 PLACE	± 0.38	± ---																									
DIMENSION STYLE																											
mm	INCH																										
MM ONLY																											
DRAFT WHERE APPLICABLE MUST REMAIN WITHIN DIMENSIONS	APPROVED BY DGDATA 2004/05/24	DATE 2004/05/24	MOLEX INCORPORATED MATERIAL NO. SEE CHART DOCUMENT NO. SD-36535-001 SHEET NO. 1 OF 1																								