

1

2

3

4

5

TECHNICAL CHARACTERISTICS

MATERIAL
 INSULATOR: PBT
 FLAMABILITY RATING: UL94-V0
 COLOR: BLACK
 CONTACT MATERIAL: COPPER ALLOY
 CONTACT TYPE: STAMPED
 CONTACT PLATING: GOLD
 QUALITY CLASS: 3 AS PER CECC 75 301-802
 PITCH: 2.54MM

ENVIRONMENTAL
 OPERATING TEMPERATURE: -40 UP TO 125°C
 COMPLIANCE: LEAD FREE AND ROHS

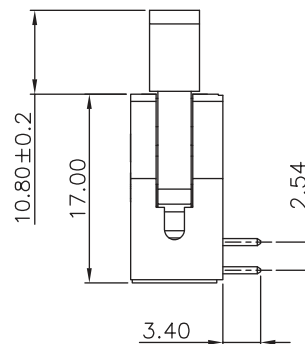
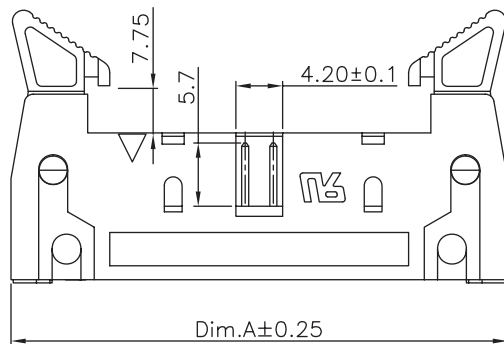
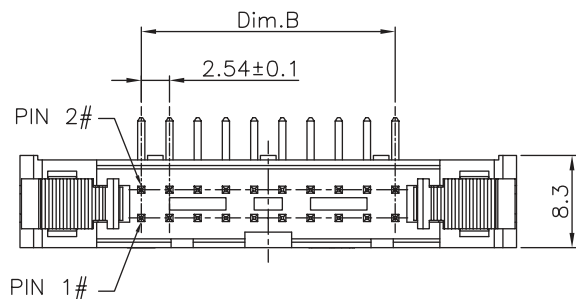
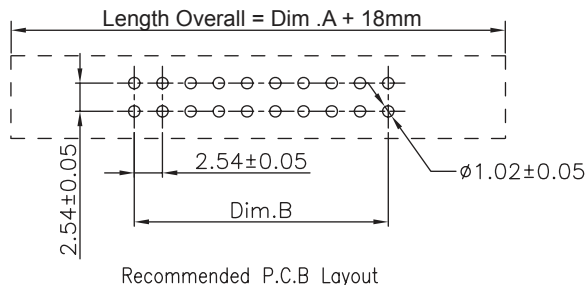
ELECTRICAL
 CURRENT RATING: 3A MAX
 WORKING VOLTAGE: 250V AC
 INSULATOR RESISTANCE: >1000 MOHM
 DIELECTRIC WITHSTANDING VOLTAGE: 500V AC/MN
 CONTACT RESISTANCE: 20 mOHM MAX

STANDARD
 CERTIFIED: E323964 / MODEL NUMBER 612-R

SOLDERING
 WAVE PROCESS ONLY

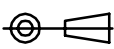

PACKAGING
 TRAY

DIMENSION



No. of Positions	Dim A	Dim B	No. of Positions	Dim A	Dim B
10	32.00	10.16	34	62.50	40.64
12	34.54	12.70	40	70.10	48.26
14	37.08	15.24	50	82.85	60.96
16	39.62	17.78	60	95.50	73.66
20	44.70	22.86			
24	49.78	27.94			
26	52.30	30.48			
30	57.40	35.56			

Notes:
 No. of Positions 64 with three key; Other positions with one key

RoHS Compliant										
G	22-FEB-13	OVERWALL DIM	QL	PROJECTION: 	GENERAL TOLERANCE .X = +/- 0.2 .XX = +/- 0.15	 WÜRTH ELEKTRONIK		DESCRIPTION: 2.54MM MALE ANGLED BOX HEADER WITH LONG LEVER		SIZE A4
F	07-MAR-12	DRAWING	GG							
E	15-MAR-10	DELETE NOTES	JP							
D	17-NOV-09	STANDARD	JP							
C	19-MAY-09	NEW DRAW	JP	APPROVAL: RJ	UNIT: MM	WERI PART NO: 612 0xx 229 21				
B	27-NOV-07	MODIFICATIONS	EC		SCALE:					
H	19-MAR-13	NOTES	AR		SHEET: 1/1					
REV	DATE	FILE	BY		DRAW: MIKE					