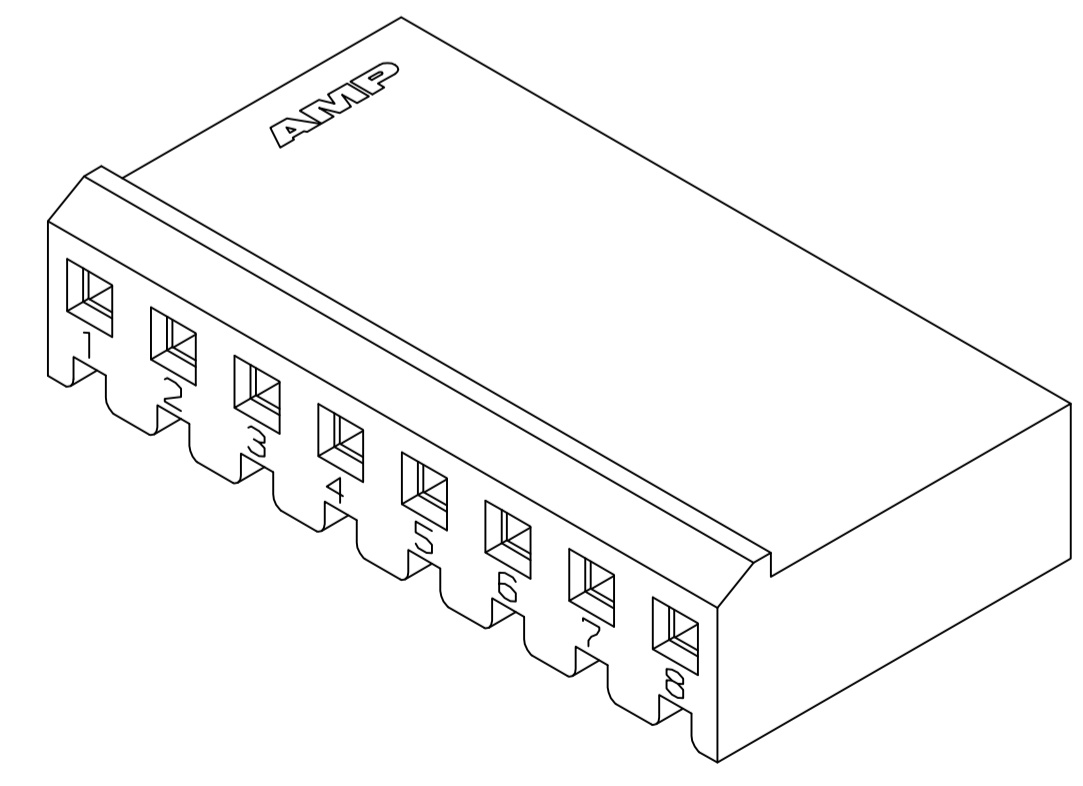
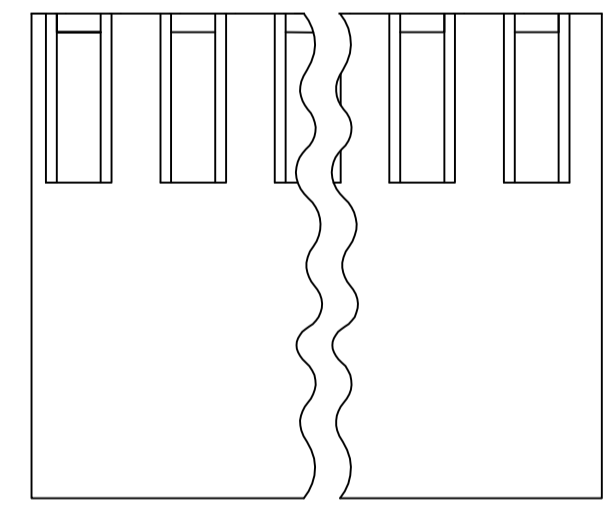
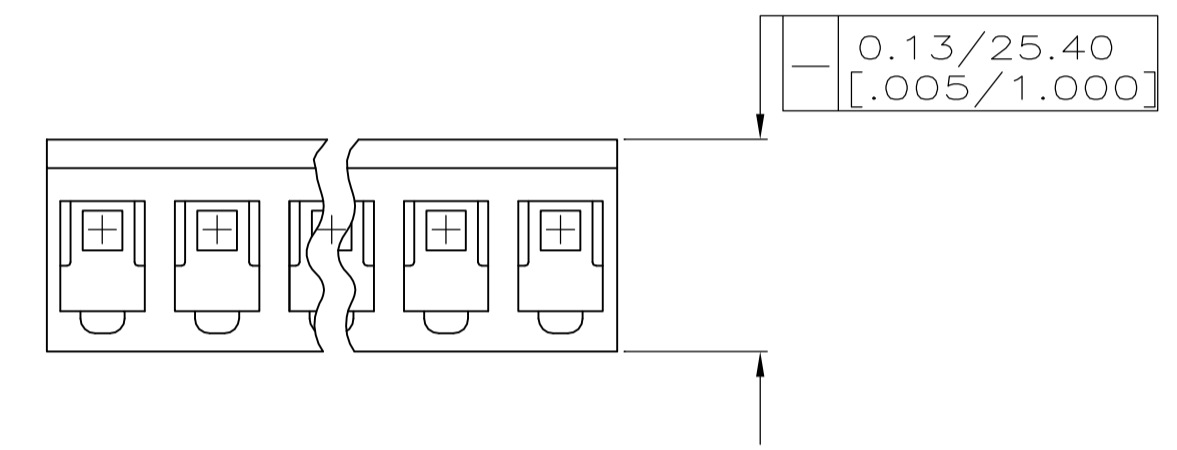
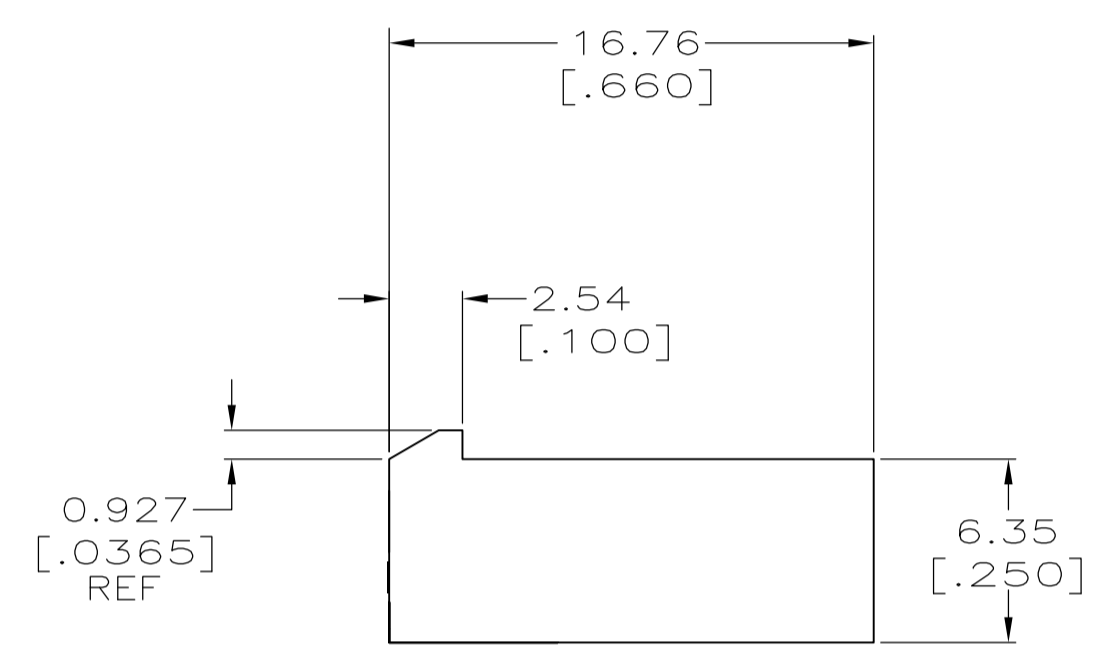
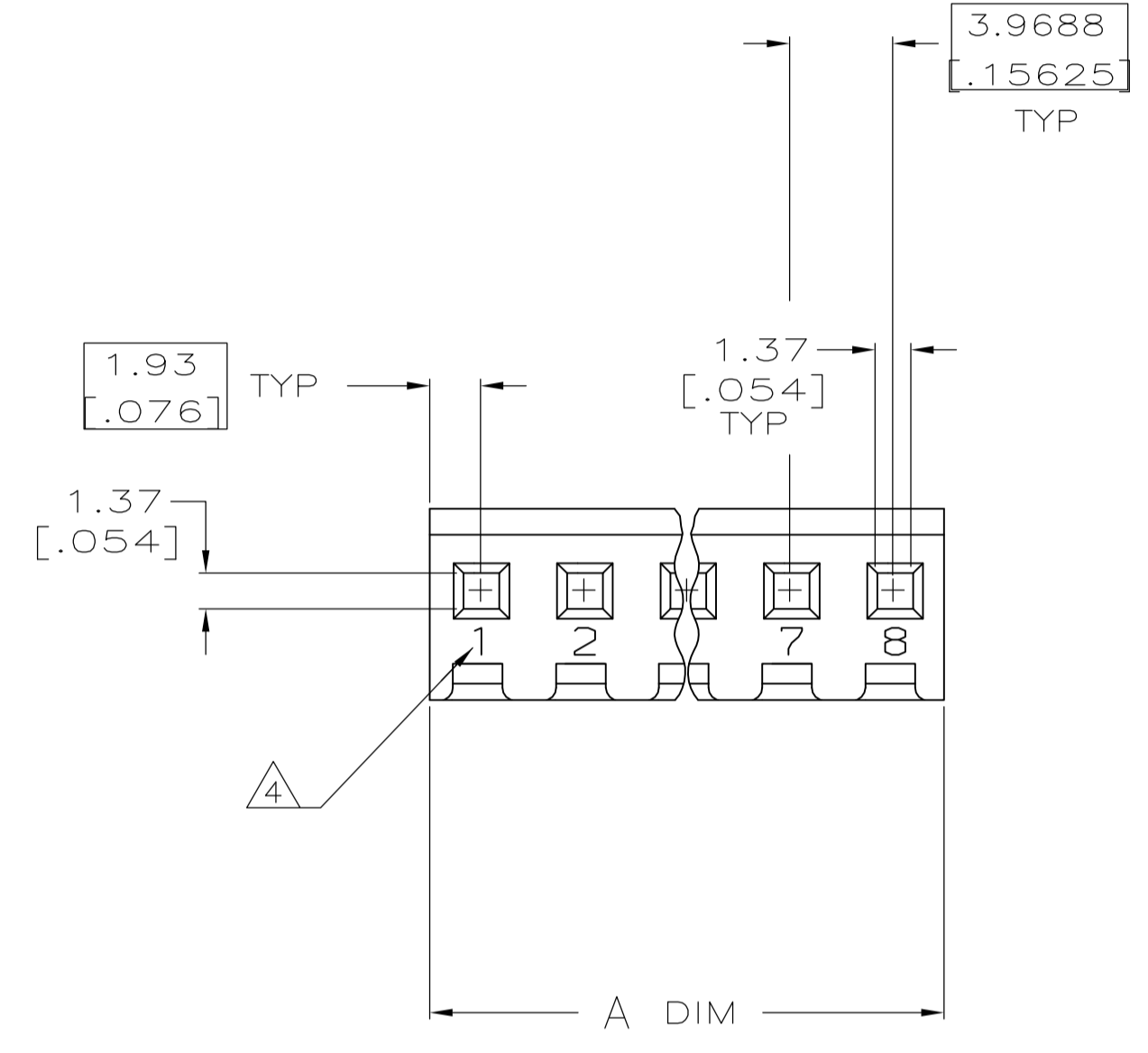
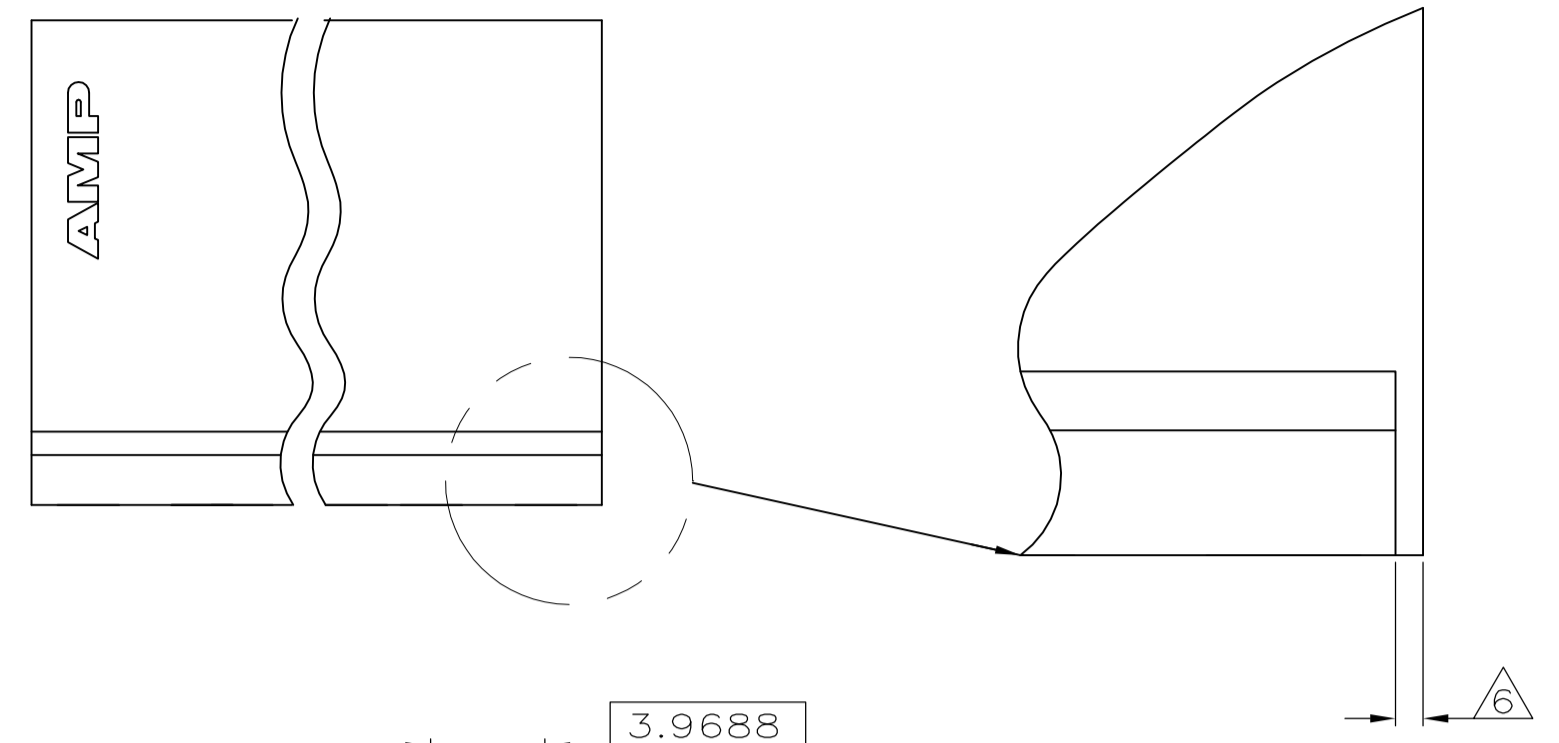


LOC		DIST		REVISIONS			
P	LTR	DESCRIPTION	DATE	DWN	APVD		
C		REVISED PER ECO-13-003622	17JUN13	KH	TM		



3-DIMENSIONAL MODEL NTS

- UNIT ACCEPTS 1.14 [.045] SQUARE OR ROUND POST.
- UNIT ACCEPTS STANDARD SL-156 CONTACTS.
- UNIT ACCEPTS KEYING PLUG 640254-1 AND KEYING PIN 640255-1.
- △ 4 CIRCUIT I.D. NUMBER(S), TO BE LOCATED SEQUENTIALLY AS SHOWN.
- DIMENSIONS IN BRACKETS ARE IN INCHES.
- △ 6 OPTIONAL CONSTRUCTION (BOTH CORNERS) UP TO 1.27 [.050].
- REFERENCE: THIS PART IS THE SAME AS 640250-8, EXCEPT FOR OPTIONAL CIRCUIT I.D. MARKING IS NOT ALLOWED.

31.65 [1.246]	8	770696-8
A ±0.25 [.010]	NO. OF CIRCUITS	PART NO

THIS DRAWING IS A CONTROLLED DOCUMENT.		DIN 7-31-92	STE TE Connectivity	
DIMENSIONS: mm [INCHES]		0.13 [.005]	NAME HOUSING WITH LOCKING RAMP, SL-156	
TOLERANCES UNLESS OTHERWISE SPECIFIED:		0.13 [.005]	SIZE A1	
0.13 [.005]		0.13 [.005]	CAGE CODE 770696	
0.13 [.005]		0.13 [.005]	DRAWING NO 770696	
0.13 [.005]		0.13 [.005]	RESTRICTED TO	
0.13 [.005]		0.13 [.005]	SCALE 4:1	
0.13 [.005]		0.13 [.005]	SHEET 1 OF 1	
0.13 [.005]		0.13 [.005]	REV C	
0.13 [.005]		0.13 [.005]	CUSTOMER DRAWING	