

PLT-SEC-T3-60-P - Type 3 surge protection plug



2905233

<https://www.phoenixcontact.com/us/products/2905233>

Please be informed that the data shown in this PDF document is generated from our online catalog. Please find the complete data in the user documentation. Our general terms of use for downloads are valid.



Replacement plug for type 3 device protection from the PLUGTRAB SEC T3 product range. 60 V nominal voltage.

Commercial data

Item number	2905233
Packing unit	1 pc
Minimum order quantity	1 pc
Sales key	CL19
Product key	CL14A1
Catalog page	Page 71 (C-4-2017)
GTIN	4046356939737
Weight per piece (including packing)	45.5 g
Weight per piece (excluding packing)	42.5 g
Customs tariff number	85363030
Country of origin	DE

PLT-SEC-T3-60-P - Type 3 surge protection plug



2905233

<https://www.phoenixcontact.com/us/products/2905233>

Technical data

Product properties

IEC power supply system	TN-S
Type	Male
Product type	Replacement plug
Product family	SEC Family
Number of positions	2
Surge protection fault message	optical

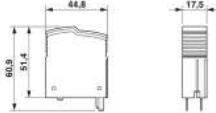
Insulation characteristics

Overvoltage category	III
Pollution degree	2
IEC test classification	III
	T3
EN type	T3

Connection data

Connection method	pluggable
-------------------	-----------

Dimensions

Dimensional drawing	
Width	17.5 mm
Height	60.9 mm
Depth	44.8 mm
Horizontal pitch	1 Div.

Material specifications

Flammability rating according to UL 94	V-0
CTI value of material	600
Insulating material	PA 6.6-FR 20% GF
	PA 6.6-FR
Material group	I
Housing material	PA 6.6-FR 20 % GF
	PA 6.6-FR

Protective circuit

Mode of protection	L-N
	L-PE
	N-PE

PLT-SEC-T3-60-P - Type 3 surge protection plug



2905233

<https://www.phoenixcontact.com/us/products/2905233>

	(L+) - (L-)
	(L+/L-) - PE
Direction of action	1L-N & N-PE
Nominal voltage U_N	60 V AC (TN-S)
Nominal frequency f_N	50 Hz (60 Hz)
Maximum continuous voltage U_C	100 V AC
	80 V DC
Residual current I_{PE}	$\leq 5 \mu A$
Standby power consumption P_C	$\leq 75 \text{ mVA}$ (at U_{REF})
	$\leq 150 \text{ mVA}$ (at U_C)
Reference test voltage U_{REF}	66 V AC
Nominal discharge current I_n (8/20) μs	2 kA
Combination wave U_{OC}	4 kV
Voltage protection level U_p (L-N)	$\leq 0.48 \text{ kV}$
Voltage protection level U_p (L-PE)	$\leq 0.9 \text{ kV}$
Voltage protection level U_p (N-PE)	$\leq 0.9 \text{ kV}$
TOV behavior at U_T (L-N)	120 V AC (5 s / withstand mode)
	120 V AC (120 min / withstand mode)
TOV behavior at U_T (L-PE)	120 V AC (5 s / withstand mode)
	120 V AC (120 min / withstand mode)
Response time t_A (L-N)	$\leq 25 \text{ ns}$
Response time t_A (L-PE)	$\leq 100 \text{ ns}$
Response time t_A (N-PE)	$\leq 100 \text{ ns}$
Short-circuit current rating I_{SCCR}	1.5 kA AC
	1 kA DC

Environmental and real-life conditions

Ambient conditions

Degree of protection	IP20
Ambient temperature (operation)	-40 °C ... 80 °C
Ambient temperature (storage/transport)	-40 °C ... 80 °C
Altitude	$\leq 2000 \text{ m}$ (amsl)
Permissible humidity (operation)	5 % ... 95 %
Shock (operation)	30g (Half-sine / 11 ms / 3x $\pm X$, $\pm Y$, $\pm Z$)
Vibration (operation)	5g (10 ... 150 Hz/20 cycles/axis/X, Y, Z)

Approvals

UL specifications

Maximum continuous operating voltage MCOV	100 V AC
	80 V DC
Nominal discharge current I_n	3 kA
Mode of protection	L-N
	L-G

PLT-SEC-T3-60-P - Type 3 surge protection plug



2905233

<https://www.phoenixcontact.com/us/products/2905233>

	N-G
	(L+) - (L-)
	(L+) - G
	(L-) - G
Nominal voltage	60 V DC
Power distribution system	Single phase
Nominal frequency	50/60 Hz
Measured limiting voltage MLV (L-N)	540 V
Measured limiting voltage MLV (L-G)	830 V
Measured limiting voltage MLV (N-G)	830 V
Measured limiting voltage MLV (L+) - (L-)	540 V
Measured limiting voltage MLV (L+) - G	830 V
Measured limiting voltage MLV (L-) - G	830 V
SPD Type	4CA

Standards and regulations

EN 61643-11

Standards/specifications	EN 61643-11
Note	2012

Mounting

Mounting type	on base element
---------------	-----------------

PLT-SEC-T3-60-P - Type 3 surge protection plug

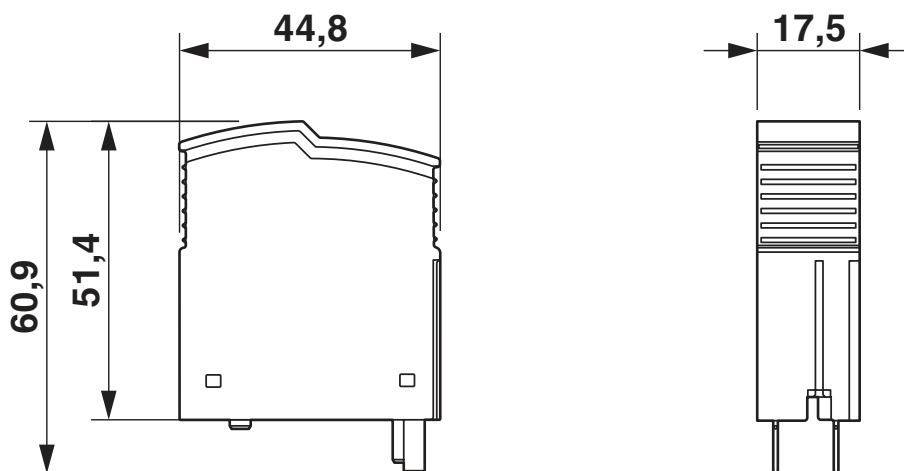
2905233

<https://www.phoenixcontact.com/us/products/2905233>



Drawings

Dimensional drawing

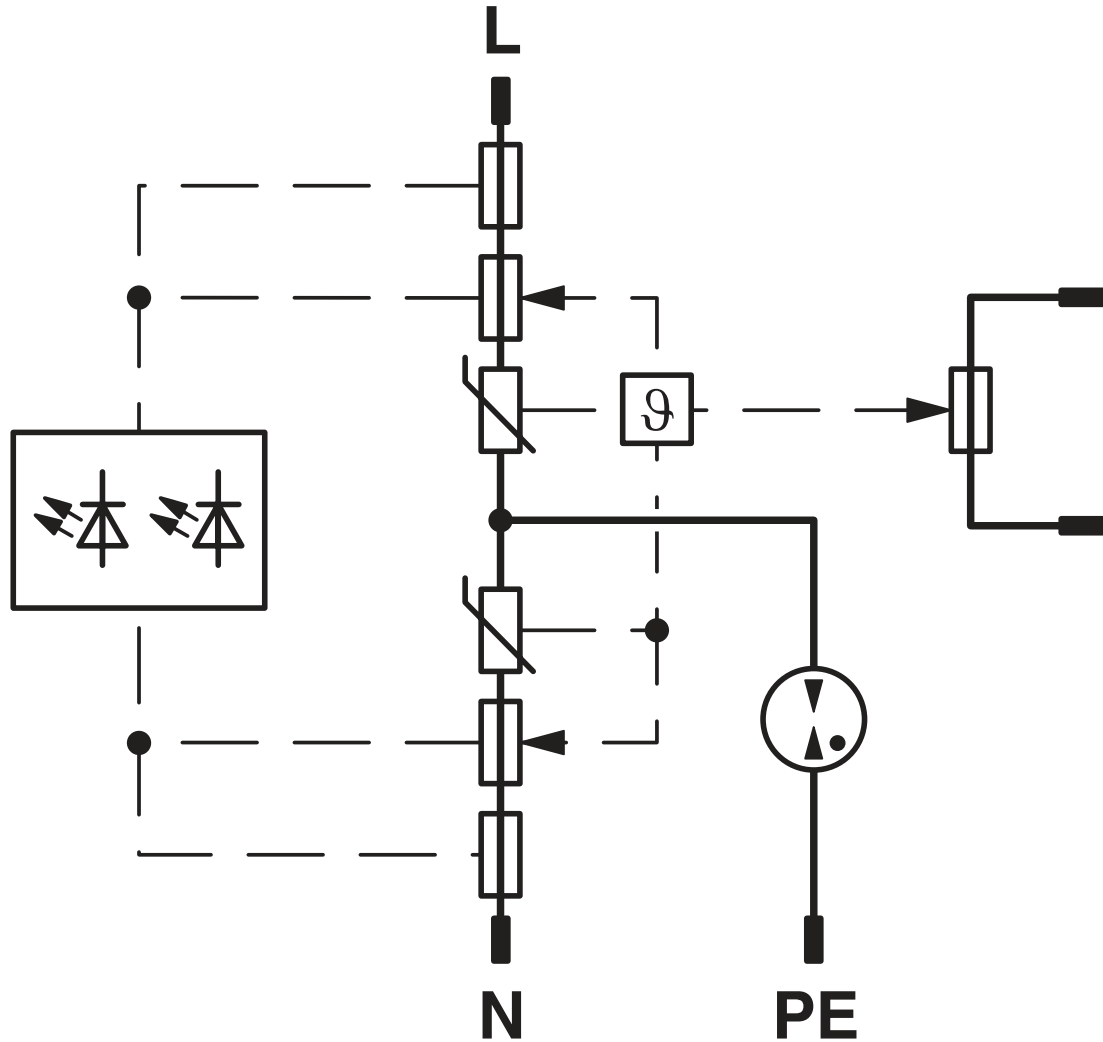


PLT-SEC-T3-60-P - Type 3 surge protection plug

2905233

<https://www.phoenixcontact.com/us/products/2905233>

Circuit diagram



PLT-SEC-T3-60-P - Type 3 surge protection plug



2905233

<https://www.phoenixcontact.com/us/products/2905233>

Classifications

ECLASS

ECLASS-11.0

27130890

ETIM

ETIM 7.0

EC000942

UNSPSC

UNSPSC 21.0

39121620

PLT-SEC-T3-60-P - Type 3 surge protection plug



2905233

<https://www.phoenixcontact.com/us/products/2905233>

Environmental product compliance

China RoHS	Environmentally friendly use period: unlimited = EFUP-e
	No hazardous substances above threshold values

PLT-SEC-T3-60-P - Type 3 surge protection plug



2905233

<https://www.phoenixcontact.com/us/products/2905233>

Accessories

CLIPFIX 35 - End clamp

3022218

<https://www.phoenixcontact.com/us/products/3022218>



Quick mounting end clamp for NS 35/7,5 DIN rail or NS 35/15 DIN rail, with marking option, width: 9.5 mm, color: gray

X-PEN 0,35 - Marker pen

0811228

<https://www.phoenixcontact.com/us/products/0811228>



Marker pen without ink cartridge, for manual labeling of markers, labeling extremely wipe-proof, line thickness 0.35 mm

PLT-SEC-T3-60-P - Type 3 surge protection plug



2905233

<https://www.phoenixcontact.com/us/products/2905233>

EML (20XE)R - Label

0803452

<https://www.phoenixcontact.com/us/products/0803452>



Label, Roll, white, unlabeled, can be labeled with: THERMOMARK E.300 (D)/600 (D), THERMOMARK ROLL 2.0, THERMOMARK ROLL, THERMOMARK ROLL X1, THERMOMARK ROLLMASTER 300/600, THERMOMARK X1.2, mounting type: adhesive, lettering field size: continuous x 20 mm

EML (20XE)R YE - Label

0803453

<https://www.phoenixcontact.com/us/products/0803453>



Label, Roll, yellow, unlabeled, can be labeled with: THERMOMARK E.300 (D)/600 (D), THERMOMARK ROLL 2.0, THERMOMARK ROLL, THERMOMARK ROLL X1, THERMOMARK ROLLMASTER 300/600, THERMOMARK X1.2, mounting type: adhesive, lettering field size: continuous x 20 mm

PLT-SEC-T3-60-P - Type 3 surge protection plug

2905233

<https://www.phoenixcontact.com/us/products/2905233>



PLT-SEC-T3-BE - Type 3 surge protection base element

2905557

<https://www.phoenixcontact.com/us/products/2905557>

Base element for protective plugs from the PLUGTRAB SEC product series with remote indication contact.



Phoenix Contact 2023 © - all rights reserved

<https://www.phoenixcontact.com>

Phoenix Contact USA
586 Fulling Mill Road
Middletown, PA 17057, United States
(+717) 944-1300
info@phoenixcon.com