

GlobTek, Inc. www.globtek.com 186 Veterans Drive, Northvale, NJ 07647 Tel. (201) 784-1000 Fax (201) 784-0111	Drawing Title: GTM91099-6015-3.0-T3A, Medical/ICT/ITE/Household use Power Supply, Efficiency Level: V, Case Color/Style: GlobTek Black, Wall Plug-in+Desktop Combination, Regulated Switchmode AC-DC Power Supply AC Adaptor, Input Rating: 100-240V~, 50-60 Hz, IEC 60320/C6 , Output Rating: 60W, 12.0V@5.0A, Output Configuration: 305 mm, 18/1C + Shield Cond, UL 1185, 4 Pin Locking Kycon or Equal, Ferrite: None, GlobTek Black, GT Cord # C0774, Pin Out: Pins 1 and 3: +12V Pins 2 and 4: GND, Blades/Input Cord: (Order Separately), Approvals: ETL; ETL; UKCA; CB 62368; ETL 62368; CCC; South Africa; RCM; VCCI; RoHS; Ukraine; PSE; WEEE; EC; Level V; Fuse 60335; Book 60601; CB 60601-1 2MOPP; CE; CE; China RoHS; IEC/EN60601-1; IEC/EN60950-1; IEC 60335; LPS 60950; CE; CB 60950; cULus; cRUus; CB EN/IEC 60335-1; SGS (Brazil); Malaysia; Conforms to 62368-1; IRAM; S-Mark IEC/EN 60601-1 60950; CE; EAC; South Africa; South Africa; PSE; PSE; PSE; FCC; IP54 optional; 2MOPP; CB 60601-1;	
	Model No. GTM91099-6015-3.0-T3A	
	Part No./Ordering No. RR9LE5000YL4YIMG2968	Rev D

In Addition to GlobTek Inc.'s renewed ISO9001:2015 - Quality Management System Certification, GlobTek Inc. is now certified to:

ISO13485:2016 - Medical Devices Quality Management System Certification

ISO14001:2015 - Environmental Management System Certification

ISO Certificates are available online at <https://www.globtek.com/iso-certificates/>

The acceptance of this specification and use of the product described in this document indicates the acceptance and binding of the customer to Globtek TERMS AND CONDITIONS (attached to the end of this document), which supersede all other agreements, terms, and conditions (<https://en.globtek.com/terms-and-conditions/>).

The purchaser of this product (Customer) agrees that it is their sole responsibility to determine suitability/fitness of the product described in this specification for their application and to take precautions for protection against any hazards attendant to the handling and use of the product.

Footnote:

GlobTek Inc. will not be liable for the safety and performance of these power supplies/battery packs if unauthorized access and repair occurs. End user should consult applicable UL, CSA or EN standards for proper installation instruction.

Limitation of Use:

GlobTek products are intended for use with commercial, medical, and/or industrial equipment only. GlobTek product are not authorized for use as mission critical components in life support hazardous environment, nuclear or aircraft applications without prior written approval from the CEO of GlobTek Inc.

Contents of this document are subject to change without prior notice.

Customer Approval of Specification:

Please approve, sign and send back to GlobTek so we can complete order processing.

A delay in receipt of this form will delay delivery schedule.

Company Name: _____	Customer P/N: _____
Quote Number: _____	Date: _____
Authorized Representative Name: _____	Authorized Representative Signature: _____

GloTek, Inc. www.globtek.com 186 Veterans Drive, Northvale, NJ 07647 Tel. (201) 784-1000 Fax (201) 784-0111	Drawing Title: GTM91099-6015-3.0-T3A, Medical/ICT/ITE/Household use Power Supply, Efficiency Level: V, Case Color/Style: GlobTek Black, Wall Plug-in+Desktop Combination, Regulated Switchmode AC-DC Power Supply AC Adaptor, Input Rating: 100-240V~, 50-60 Hz, IEC 60320/C6 , Output Rating: 60W, 12.0V@5.0A, Output Configuration: 305 mm, 18/1C + Shield Cond, UL 1185, 4 Pin Locking Kycon or Equal, Ferrite: None, GlobTek Black, GT Cord # C0774, Pin Out: Pins 1 and 3: +12V Pins 2 and 4: GND, Blades/Input Cord: (Order Separately), Approvals: ETL; ETL; UKCA; CB 62368; ETL 62368; CCC; South Africa; RCM; VCCI; RoHS; Ukraine; PSE; WEEE; EC; Level V; Fuse 60335; Book 60601; CB 60601-1 2MOPP; CE; CE; China RoHS; IEC/EN60601-1; IEC/EN60950-1; IEC 60335; LPS 60950; CE; CB 60950; cULus; cRUus; CB EN/IEC 60335-1; SGS (Brazil); Malaysia; Conforms to 62368-1; IRAM; S-Mark IEC/EN 60601-1 60950; CE; EAC; South Africa; South Africa; PSE; PSE; PSE; FCC; IP54 optional; 2MOPP; CB 60601-1;	
	Model No. GTM91099-6015-3.0-T3A	
	Part No./Ordering No. RR9LE5000YL4YIMG2968	Rev D

REVISION HISTORY

REV	DESCRIPTION	SUB	DATE	APPROVED
D	Add FCC approval	bsiep	02/17/2015	QA
C	Update model number from GTM91099-6012-T3A to GTM91099-6015-3.0-T3A	QA	07/01/2014	QA
B	Update gift box size from 160 x 67 x 90 to 142 x 62 x 60mm	QA	03/06/2014	QA
A	Initial Release	bsiep	01/21/2014	QA

POWER SUPPLY INFORMATION

TYPE	Wall Plug-in+Desktop Combination
TECHNOLOGY	Regulated Switchmode AC-DC Power Supply AC Adaptor
CASE COLOR	GlobTek Black
NAMEPLATE RATED INPUT	100-240V~, 50-60 Hz, 1.5A
INPUT CONFIG	IEC 60320/C6
WATTS	60.00
VOLTS OUT	12.0
CURRENT OUT (Amps)	5.0
BLADE/CORD INCLUDED	None (Order Separately)
BLADE/CORD INSTALLED	None :(Order Separately)
INGRESS PROTECTION	IP52, IP54 Option available
GROUNDING CONFIGURATION	(E1) Earthed output
EFFICIENCY LEVEL	V
OUTPUT CONFIGURATION	305 mm, 18/1C + Shield Cond, UL 1185, 4 Pin Locking Kycon or Equal, Ferrite: None, GlobTek Black, GT Cord # C0774
OVERMOLDED	No
OUTPUT CONNECTOR GENDER	Male
CONNECTOR PIN OUT	Pins 1 and 3: +12V Pins 2 and 4: GND
LABEL SPECS	Standard GT,L-1186
SPECIAL BARCODE LABEL MATERIAL	No
PACK SPEC	Standard DT, Individually Box
USER MANUAL	

PROPRIETARY INFORMATION

PROPRIETARY OF GLOBTEK, INC. ANY REPRODUCTION, DISCLOSURE OR USE OF THIS DRAWING, IN WHOLE OR IN PART, IS HEREBY PROHIBITED EXCEPT AS SPECIFIED IN

WRITING BY GLOBTEK, INC. © GlobTek, Inc. 2014 - 2023

quest / 08/08/2023 10:40:38 PM GMT

GlobTek, Inc. www.globtek.com 186 Veterans Drive, Northvale, NJ 07647 Tel. (201) 784-1000 Fax (201) 784-0111	Drawing Title: GTM91099-6015-3.0-T3A, Medical/ICT/ITE/Household use Power Supply, Efficiency Level: V, Case Color/Style: GlobTek Black, Wall Plug-in+Desktop Combination, Regulated Switchmode AC-DC Power Supply AC Adaptor, Input Rating: 100-240V~, 50-60 Hz, IEC 60320/C6 , Output Rating: 60W, 12.0V@5.0A, Output Configuration: 305 mm, 18/1C + Shield Cond, UL 1185, 4 Pin Locking Kycon or Equal, Ferrite: None, GlobTek Black, GT Cord # C0774, Pin Out: Pins 1 and 3: +12V Pins 2 and 4: GND, Blades/Input Cord: (Order Separately), Approvals: ETL; ETL; UKCA; CB 62368; ETL 62368; CCC; South Africa; RCM; VCCI; RoHS; Ukraine; PSE; WEEE; EC; Level V; Fuse 60335; Book 60601; CB 60601-1 2MOPP; CE; CE; China RoHS; IEC/EN60601-1; IEC/EN60950-1; IEC 60335; LPS 60950; CE; CB 60950; cULus; cRUus; CB EN/IEC 60335-1; SGS (Brazil); Malaysia; Conforms to 62368-1; IRAM; S-Mark IEC/EN 60601-1 60950; CE; EAC; South Africa; South Africa; PSE; PSE; PSE; FCC; IP54 optional; 2MOPP; CB 60601-1;	
	Model No. GTM91099-6015-3.0-T3A	
	Part No./Ordering No. RR9LE5000YL4YIMG2968	Rev D

Notes/Modifications/Customizations (notes in this section supersede the values shown in the standard spec)

DIMENSIONS ARE IN MM UNLESS SPECIFIED OTHERWISE

GlobTek, Inc. www.globtek.com 186 Veterans Drive, Northvale, NJ 07647 Tel. (201) 784-1000 Fax (201) 784-0111	Drawing Title: GTM91099-6015-3.0-T3A, Medical/ICT/ITE/Household use Power Supply, Efficiency Level: V, Case Color/Style: GlobTek Black, Wall Plug-in+Desktop Combination, Regulated Switchmode AC-DC Power Supply AC Adaptor, Input Rating: 100-240V~, 50-60 Hz, IEC 60320/C6 , Output Rating: 60W, 12.0V@5.0A, Output Configuration: 305 mm, 18/1C + Shield Cond, UL 1185, 4 Pin Locking Kycon or Equal, Ferrite: None, GlobTek Black, GT Cord # C0774, Pin Out: Pins 1 and 3: +12V Pins 2 and 4: GND, Blades/Input Cord: (Order Separately), Approvals: ETL; ETL; UKCA; CB 62368; ETL 62368; CCC; South Africa; RCM; VCCI; RoHS; Ukraine; PSE; WEEE; EC; Level V; Fuse 60335; Book 60601; CB 60601-1 2MOPP; CE; CE; China RoHS; IEC/EN60601-1; IEC/EN60950-1; IEC 60335; LPS 60950; CE; CB 60950; cULus; cRUus; CB EN/IEC 60335-1; SGS (Brazil); Malaysia; Conforms to 62368-1; IRAM; S-Mark IEC/EN 60601-1 60950; CE; EAC; South Africa; South Africa; PSE; PSE; FCC; IP54 optional; 2MOPP; CB 60601-1;	
	Model No. GTM91099-6015-3.0-T3A	
	Part No./Ordering No. RR9LE5000YL4YIMG2968	Rev D

ELECTRICAL SPECIFICATIONS

A) ELECTRICAL SPECIFICATIONS:

01. Input Voltage: Specified 90-264 Vac, Nameplate rated 100-240 Vac
02. Input Frequency: Specified 47-63 Hz, Nameplate rated 50-60 Hz
03. Output Regulation: +/- 5% nominal output voltage measured at the output connector at nominal line
04. Line Voltage Regulation: +/- 2% max at full load
05. Output Ripple (Vp-p): +/-1% or 150mV whichever is greater at nominal output voltage. Measured at 20 MHz bandwidth with 0.1 uf ceramic capacitor in parallel with 10 uf electrolytic capacitor connected at the end of the output connector.
06. Turn-ON/OFF Overshoot: 5% max, 500uS max recovery time for 25% to 50% step load
07. Turn-ON Delay: 2 Seconds, maximum @ full load, nominal line
08. Hold-Up Time: 8 mS at nominal input and full load
09. Inrush Current: 40A max at cold start 120 VAC, 60A max cold start 230VAC
10. Switching Frequency: 100 KHz typical

B) PROTECTION

1. Over-Voltage: Protected, Hiccup with auto recovery
2. Short Circuit: Protected, Hiccup with auto recovery
3. Over-load: Protected, Hiccup with auto recovery
4. Input Protection: Input line and neutral fusing
5. Means of Patient Protection: (2 x MOPP)

C) SAFETY

01. Dielectric Withstand Voltage: 5656Vdc from primary to secondary
02. Earth Leakage Current: Did not exceed 5 mA in NORMAL CONDITION and 10 mA in SINGLE FAULT CONDITION
03. Earth continuity test:<0.1 Ohm or < 0.2 Ohm when with a non-detachable Power Supply cord, Class I Only
04. Touch Current: Did not exceed 100uA NC(Normal condition) 500uA SFC(single fault condition)
05. Means of Protection: 2 x MOPP
06. Primary to Secondary Bridging Capacitor: (2) * Y1 type capacitors in series

D) OTHER:

1. MTBF: 200,000 Hours @ 25°C ambient temperature
2. Operating Temperature: 0°C to 40°C ambient temperature, @ 100% Load, (UL approved rating to 70°C & evaluated to -30°C for 15W, 5V @ 3A)
3. Humidity: 0% to 90% relative humidity
4. Storage Temperature: -30°C to 80°C
5. Cooling: Convection
6. ROHS 2: Complies with EU 2011/65/EU and China SJ/T 11363-2006

E) ENCLOSURE

1. Housing: High impact plastic, 94V0 polycarbonate, non-vented
2. Size: 117.53*53.47*36.6 mm +/- 1.0
3. Markings: Label and/or Pad Printed and/or Molded into Case
4. LED: Standard Green color to indicate power on

PROPRIETARY INFORMATION

PROPRIETARY OF GLOBTEK, INC. ANY REPRODUCTION, DISCLOSURE OR USE OF THIS DRAWING, IN WHOLE OR IN PART, IS HEREBY PROHIBITED EXCEPT AS SPECIFIED IN WRITING BY GLOBTEK, INC. © GlobTek, Inc. 2014 - 2023

GlobTek, Inc. www.globtek.com 186 Veterans Drive, Northvale, NJ 07647 Tel. (201) 784-1000 Fax (201) 784-0111	Drawing Title: GTM91099-6015-3.0-T3A, Medical/ICT/ITE/Household use Power Supply, Efficiency Level: V, Case Color/Style: GlobTek Black, Wall Plug-in+Desktop Combination, Regulated Switchmode AC-DC Power Supply AC Adaptor, Input Rating: 100-240V~, 50-60 Hz, IEC 60320/C6 , Output Rating: 60W, 12.0V@5.0A, Output Configuration: 305 mm, 18/1C + Shield Cond, UL 1185, 4 Pin Locking Kycon or Equal, Ferrite: None, GlobTek Black, GT Cord # C0774, Pin Out: Pins 1 and 3: +12V Pins 2 and 4: GND, Blades/Input Cord: (Order Separately), Approvals: ETL; ETL; UKCA; CB 62368; ETL 62368; CCC; South Africa; RCM; VCCI; RoHS; Ukraine; PSE; WEEE; EC; Level V; Fuse 60335; Book 60601; CB 60601-1 2MOPP; CE; CE; China RoHS; IEC/EN60601-1; IEC/EN60950-1; IEC 60335; LPS 60950; CE; CB 60950; cULus; cRUus; CB EN/IEC 60335-1; SGS (Brazil); Malaysia; Conforms to 62368-1; IRAM; S-Mark IEC/EN 60601-1 60950; CE; EAC; South Africa; South Africa; PSE; PSE; PSE; FCC; IP54 optional; 2MOPP; CB 60601-1;	
	Model No. GTM91099-6015-3.0-T3A	
	Part No./Ordering No. RR9LE5000YL4YIMG2968	Rev D

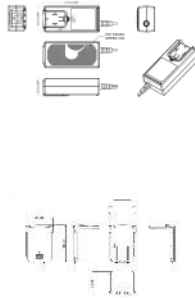
TO ADDRESS SYSTEM-LEVEL EMI CONCERNS, FERRITE CHOKES/BEADS MAY BE ADDED/REVISED UPON REQUEST. A SAMPLE KIT OF GLOBTEK'S STANDARD FERRITES IS AVAILABLE UNDER GLOBTEK P/N: EMI-MITIGATION-KIT1

FOR ADDITIONAL INFORMATION, PLEASE READ OUR WHITE PAPER AT: <https://r.globtek.info/3QeaqtD>

INGRESS PROTECTION: IP52, IP54 Option available

GlobTek, Inc. www.globtek.com 186 Veterans Drive, Northvale, NJ 07647 Tel. (201) 784-1000 Fax (201) 784-0111	Drawing Title: GTM91099-6015-3.0-T3A, Medical/ICT/ITE/Household use Power Supply, Efficiency Level: V, Case Color/Style: GlobTek Black, Wall Plug-in+Desktop Combination, Regulated Switchmode AC-DC Power Supply AC Adaptor, Input Rating: 100-240V~, 50-60 Hz, IEC 60320/C6 , Output Rating: 60W, 12.0V@5.0A, Output Configuration: 305 mm, 18/1C + Shield Cond, UL 1185, 4 Pin Locking Kycon or Equal, Ferrite: None, GlobTek Black, GT Cord # C0774, Pin Out: Pins 1 and 3: +12V Pins 2 and 4: GND, Blades/Input Cord: (Order Separately), Approvals: ETL; ETL; UKCA; CB 62368; ETL 62368; CCC; South Africa; RCM; VCCI; RoHS; Ukraine; PSE; WEEE; EC; Level V; Fuse 60335; Book 60601; CB 60601-1 2MOPP; CE; CE; China RoHS; IEC/EN60601-1; IEC/EN60950-1; IEC 60335; LPS 60950; CE; CB 60950; cULus; cRUus; CB EN/IEC 60335-1; SGS (Brazil); Malaysia; Conforms to 62368-1; IRAM; S-Mark IEC/EN 60601-1 60950; CE; EAC; South Africa; South Africa; PSE; PSE; PSE; FCC; IP54 optional; 2MOPP; CB 60601-1;	
	Model No. GTM91099-6015-3.0-T3A	
	Part No./Ordering No. RR9LE5000YL4YIMG2968	Rev D

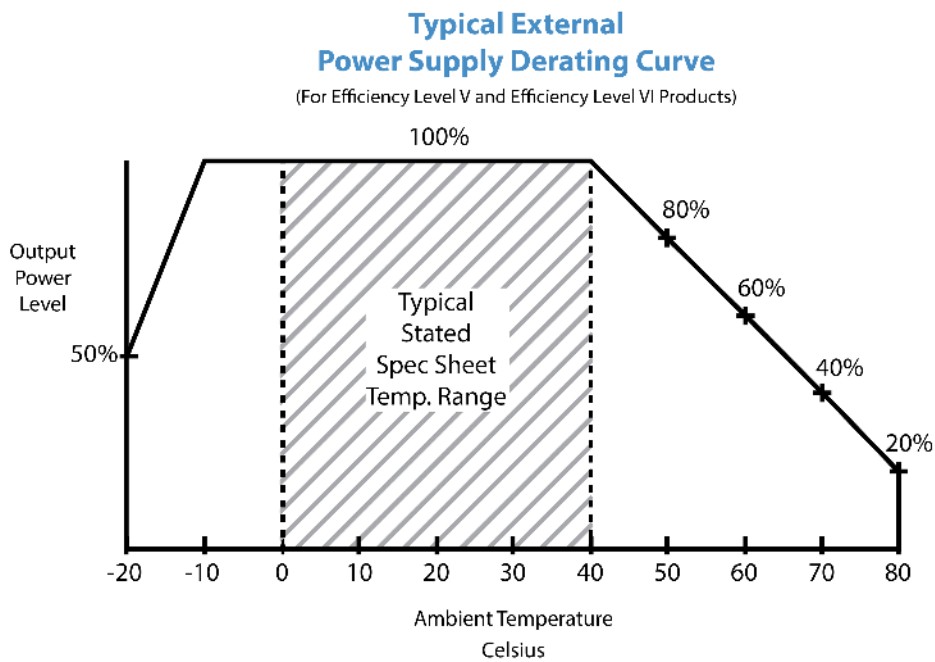
Mechanical drawing



Units shipped without an installed input plug have a "desktop insert" installed.

GlobTek, Inc. www.globtek.com 186 Veterans Drive, Northvale, NJ 07647 Tel. (201) 784-1000 Fax (201) 784-0111	Drawing Title: GTM91099-6015-3.0-T3A, Medical/ICT/ITE/Household use Power Supply, Efficiency Level: V, Case Color/Style: GlobTek Black, Wall Plug-in+Desktop Combination, Regulated Switchmode AC-DC Power Supply AC Adaptor, Input Rating: 100-240V~, 50-60 Hz, IEC 60320/C6 , Output Rating: 60W, 12.0V@5.0A, Output Configuration: 305 mm, 18/1C + Shield Cond, UL 1185, 4 Pin Locking Kycon or Equal, Ferrite: None, GlobTek Black, GT Cord # C0774, Pin Out: Pins 1 and 3: +12V Pins 2 and 4: GND, Blades/Input Cord: (Order Separately), Approvals: ETL; ETL; UKCA; CB 62368; ETL 62368; CCC; South Africa; RCM; VCCI; RoHS; Ukraine; PSE; WEEE; EC; Level V; Fuse 60335; Book 60601; CB 60601-1 2MOOPP; CE; CE; China RoHS; IEC/EN60601-1; IEC/EN60950-1; IEC 60335; LPS 60950; CE; CB 60950; cULus; cRUus; CB EN/IEC 60335-1; SGS (Brazil); Malaysia; Conforms to 62368-1; IRAM; S-Mark IEC/EN 60601-1 60950; CE; EAC; South Africa; South Africa; PSE; PSE; PSE; FCC; IP54 optional; 2MOOPP; CB 60601-1;	
	Model No. GTM91099-6015-3.0-T3A	
	Part No./Ordering No. RR9LE5000YL4YIMG2968	Rev D

DERATING CURVE

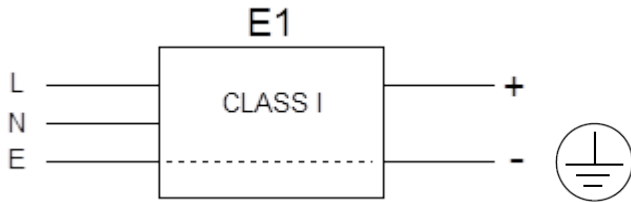


Note:
 @ 15W UL certified to +70C for GTM91099-3009-4.0 only

<p>GlobTek, Inc. www.globtek.com 186 Veterans Drive, Northvale, NJ 07647 Tel. (201) 784-1000 Fax (201) 784-0111</p>	<p>Drawing Title: GTM91099-6015-3.0-T3A, Medical/ICT/ITE/Household use Power Supply, Efficiency Level: V, Case Color/Style: GlobTek Black, Wall Plug-in+Desktop Combination, Regulated Switchmode AC-DC Power Supply AC Adaptor, Input Rating: 100-240V~, 50-60 Hz, IEC 60320/C6 , Output Rating: 60W, 12.0V@5.0A, Output Configuration: 305 mm, 18/1C + Shield Cond, UL 1185, 4 Pin Locking Kycon or Equal, Ferrite: None, GlobTek Black, GT Cord # C0774, Pin Out: Pins 1 and 3: +12V Pins 2 and 4: GND, Blades/Input Cord: (Order Separately), Approvals: ETL; ETL; UKCA; CB 62368; ETL 62368; CCC; South Africa; RCM; VCCI; RoHS; Ukraine; PSE; WEEE; EC; Level V; Fuse 60335; Book 60601; CB 60601-1 2MOPP; CE; CE; China RoHS; IEC/EN60601-1; IEC/EN60950-1; IEC 60335; LPS 60950; CE; CB 60950; cULus; cRUus; CB EN/IEC 60335-1; SGS (Brazil); Malaysia; Conforms to 62368-1; IRAM; S-Mark IEC/EN 60601-1 60950; CE; EAC; South Africa; South Africa; PSE; PSE; FCC; IP54 optional; 2MOPP; CB 60601-1;</p>	
	<p>Model No. GTM91099-6015-3.0-T3A</p>	
	<p>Part No./Ordering No. RR9LE5000YL4YIMG2968</p>	<p>Rev D</p>

INPUT CONFIGURATION

(E1) Earthed output



[Alternate grounding configurations](#) available upon request.

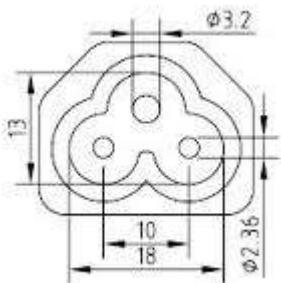
Blades/Cord Included:None:(Order Separately)

Blades/Cord Installed:None:(Order Separately)

IEC 60320/C6 AC Inlet Connector, Class I, Earth Ground (aka "Mickey Mouse")

[Blade Insertion Instructions](#)

[R-Blade Style Instruction Video](#)



Mates with IEC 60320/C5 Plug

This series of Interchangeable Blade products may be used with Proprietary Interchangeable Blades as described below or with standard international power cords.

Optional INPUT BLADES: R-Socket: below are available blades configurations which are "not included" (unless stated above); may be purchased separately, packaged with power supply, or as a separate "R-KIT" if specified

1. Class I model NEMA 5-15P (Type B), Class I AC power plug with 2 blades & ground pin, R-NA-3(R)
2. Australian AS 3112 (Type I) configuration: SAA 3 pins Class I, R-SAA-3(R)
3. UK BS 1363 (Type G) configuration: UK 3 pins (Ground) Class I, R-UK-3(R)
4. European CEE 7/7 (Type E and F) configuration: European plug 2 PINS + ground, Class I, R-EU-3(R)
5. Desktop Insert

PROPRIETARY INFORMATION

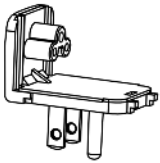
PROPRIETARY OF GLOBTEK, INC. ANY REPRODUCTION, DISCLOSURE OR USE OF THIS DRAWING, IN WHOLE OR IN PART, IS HEREBY PROHIBITED EXCEPT AS SPECIFIED IN WRITING BY GLOBTEK, INC. © GlobTek, Inc. 2014 - 2023

GlobTek, Inc. www.globtek.com 186 Veterans Drive, Northvale, NJ 07647 Tel. (201) 784-1000 Fax (201) 784-0111	Drawing Title: GTM91099-6015-3.0-T3A, Medical/ICT/ITE/Household use Power Supply, Efficiency Level: V, Case Color/Style: GlobTek Black, Wall Plug-in+Desktop Combination, Regulated Switchmode AC-DC Power Supply AC Adaptor, Input Rating: 100-240V~, 50-60 Hz, IEC 60320/C6 , Output Rating: 60W, 12.0V@5.0A, Output Configuration: 305 mm, 18/1C + Shield Cond, UL 1185, 4 Pin Locking Kycon or Equal, Ferrite: None, GlobTek Black, GT Cord # C0774, Pin Out: Pins 1 and 3: +12V Pins 2 and 4: GND, Blades/Input Cord: (Order Separately), Approvals: ETL; ETL; UKCA; CB 62368; ETL 62368; CCC; South Africa; RCM; VCCI; RoHS; Ukraine; PSE; WEEE; EC; Level V; Fuse 60335; Book 60601; CB 60601-1 2MOPP; CE; CE; China RoHS; IEC/EN60601-1; IEC/EN60950-1; IEC 60335; LPS 60950; CE; CB 60950; cULus; cRUus; CB EN/IEC 60335-1; SGS (Brazil); Malaysia; Conforms to 62368-1; IRAM; S-Mark IEC/EN 60601-1 60950; CE; EAC; South Africa; South Africa; PSE; PSE; FCC; IP54 optional; 2MOPP; CB 60601-1;	
	Model No. GTM91099-6015-3.0-T3A	
	Part No./Ordering No. RR9LE5000YL4YIMG2968	Rev D

Kits

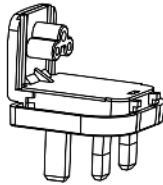
05. R-KIT-3(R) 1,2,3,4 above

06. R-KIT-3-INTL(R): 2,3,4 above



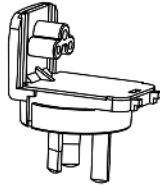
UL 3P

P/N: R-NA-3(R)
NORTH AMERICA
JAPAN



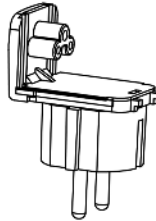
UK 3P

P/N: R-UK-3(R)
UNITED KINGDOM
HONG KONG
SINGAPORE



AUS 3P

P/N: R-SAA-3(R)
AUSTRALIA



EU 3P

P/N: R-EU-3(R)
EUROPE
SOUTH AMERICA

Below are standard cordsets which are "not included" (unless stated above); these can be purchased separately or package with the power supply. Contact your Sales Engineer if the style required is not shown below. Many more available in different lengths, colors or cable material.

[Standard International IEC 320/C5 Cordsets](#)

Part Number / Link	Country	Plug	Connector	Length (mm)	Length (ft)
3021066F712(R)	N. American (Type B)	NEMA 5-15P	IEC 320/C5	1880	6
1191068F0712(R)	N. American (Type B)	NEMA 5-15P Hospital	IEC 320/C5	2459	8
2194262M0712(R)	Argentina (Type I)	IRAM 2073	IEC320/C5	2050	6.7
2064262M0712(R)	Australian (Type I)	AS3112 / 3 PRONG	IEC 320/C5	2000	6.6
204B4262M0712(R)	Brazil (Type N)	BRAZIL	IEC 320/C5	2000	6.6
6023592M5712(R)	China (Type I)	CCC GR2099	IEC 320/C5	2500	8
23144262M0712(R)	Europe (Type E)	CEE 7/7	IEC 320/C5	2050	6.6
2313K3432M0712(R)	Korea (Type F)	KS C 8305	IEC 320/C5	2000	6.6
205IN4262M0712(R)	India (Type D)	India IS 1293 (also known as IA16A3 or BS546)	IEC320/C5	2000	6.6
377C4262M0712(R)	Israel (Type H)	ISL	IEC320/C5	2050	6.7
23024262M0712(R)	Italy (Type L)	CEI 23-16/VII	IEC 320/C5	2000	6.6
3003316F0712(R)	Japan (Type B)	JIS 8303 / 3 PINS	IEC 320/C5	1830	6

GlobTek, Inc. www.globtek.com 186 Veterans Drive, Northvale, NJ 07647 Tel. (201) 784-1000 Fax (201) 784-0111	Drawing Title: GTM91099-6015-3.0-T3A, Medical/ICT/ITE/Household use Power Supply, Efficiency Level: V, Case Color/Style: GlobTek Black, Wall Plug-in+Desktop Combination, Regulated Switchmode AC-DC Power Supply AC Adaptor, Input Rating: 100-240V~, 50-60 Hz, IEC 60320/C6 , Output Rating: 60W, 12.0V@5.0A, Output Configuration: 305 mm, 18/1C + Shield Cond, UL 1185, 4 Pin Locking Kycon or Equal, Ferrite: None, GlobTek Black, GT Cord # C0774, Pin Out: Pins 1 and 3: +12V Pins 2 and 4: GND, Blades/Input Cord: (Order Separately), Approvals: ETL; ETL; UKCA; CB 62368; ETL 62368; CCC; South Africa; RCM; VCCI; RoHS; Ukraine; PSE; WEEE; EC; Level V; Fuse 60335; Book 60601; CB 60601-1 2MOPP; CE; CE; China RoHS; IEC/EN60601-1; IEC/EN60950-1; IEC 60335; LPS 60950; CE; CB 60950; cULus; cRUus; CB EN/IEC 60335-1; SGS (Brazil); Malaysia; Conforms to 62368-1; IRAM; S-Mark IEC/EN 60601-1 60950; CE; EAC; South Africa; South Africa; PSE; PSE; PSE; FCC; IP54 optional; 2MOPP; CB 60601-1;	
	Model No. GTM91099-6015-3.0-T3A	
	Part No./Ordering No. RR9LE5000YL4YIMG2968	Rev D

3021066F0712ULPSE(R)	Japan / USA (Type B)	JIS 8303 / 3 PINS + NEMA 5-15P	IEC 320/C5 1830	6
2054262M0712(R)	S. Africa (Type D)	South Africa SABS164-1 (6A type plug)	IEC320/C5 2050	6.7
2084262M0712(R)	S.Africa (Type M)	South Africa SABS164-1 (16A type plug)	IEC 320/C5 2000	6.6
23214262M0712(R)	Switzerland (Type J)	SEV 1011 (EL 203)	IEC 320/C5 2000	6.6
3003316F0712(R)	Taiwan (Type B)	BSMI	IEC 320/C5 2000	6.6
6104262M0712(R)	UK, Hong Kong, Singapore, Gulf States (Type G)	BS1363	IEC 320/C5 2000	6.6

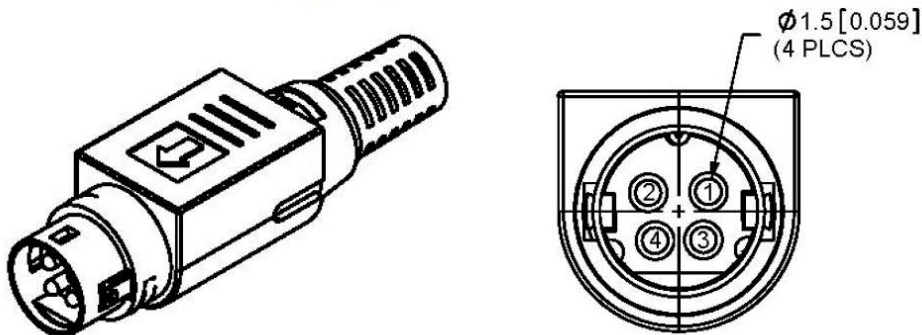
GlobTek, Inc. www.globtek.com 186 Veterans Drive, Northvale, NJ 07647 Tel. (201) 784-1000 Fax (201) 784-0111	Drawing Title: GTM91099-6015-3.0-T3A, Medical/ICT/ITE/Household use Power Supply, Efficiency Level: V, Case Color/Style: GlobTek Black, Wall Plug-in+Desktop Combination, Regulated Switchmode AC-DC Power Supply AC Adaptor, Input Rating: 100-240V~, 50-60 Hz, IEC 60320/C6 , Output Rating: 60W, 12.0V@5.0A, Output Configuration: 305 mm, 18/1C + Shield Cond, UL 1185, 4 Pin Locking Kycon or Equal, Ferrite: None, GlobTek Black, GT Cord # C0774, Pin Out: Pins 1 and 3: +12V Pins 2 and 4: GND, Blades/Input Cord: (Order Separately), Approvals: ETL; ETL; UKCA; CB 62368; ETL 62368; CCC; South Africa; RCM; VCCI; RoHS; Ukraine; PSE; WEEE; EC; Level V; Fuse 60335; Book 60601; CB 60601-1 2MOPP; CE; CE; China RoHS; IEC/EN60601-1; IEC/EN60950-1; IEC 60335; LPS 60950; CE; CB 60950; cULus; cRUus; CB EN/IEC 60335-1; SGS (Brazil); Malaysia; Conforms to 62368-1; IRAM; S-Mark IEC/EN 60601-1 60950; CE; EAC; South Africa; South Africa; PSE; PSE; FCC; IP54 optional; 2MOPP; CB 60601-1;	
	Model No. GTM91099-6015-3.0-T3A	
	Part No./Ordering No. RR9LE5000YL4YIMG2968	Rev D

OUTPUT CORD AND CONNECTOR: YL4/C0774

ACTUAL CONNECTORS, OVERMOLDS, FERRITES MAY VARY SLIGHTLY FROM THE PICTURE BELOW

CABLE TYPE	UL 1185
CABLE LENGTH (mm)	305
CABLE TOLERANCE (mm)	+50/-0
WIRE GAUGE (AWG)	18
CONDUCTORS	1C + Shield
HANK DIMENSION (mm)	120 ± 10mm
CABLE / CONNECTOR OVERMOLD COLOR	GlobTek Black
FERRITE TYPE AND DIMENSION	None
FERRITE NUMBER OF TURNS (Definition)	N/A
FERRITE DIMENSION FROM STRAIN RELIEF	N/A
FERRITE DIMENSION FROM PLUG	N/A
PLUG TYPE	4 Pin Locking Kycon or Equal
OUTPUT CONNECTOR GENDER	Male
OVERMOLDED	No
OVER MOLD ORIENTATION	Straight
CONNECTOR PIN OUT	Pins 1 and 3: +12V Pins 2 and 4: GND

- Pin 1 +12V
- Pin 2 GND
- Pin 3 +12V
- Pin 4 GND



Please visit <https://en.globtek.com/news/power-din-locking-connector-cable-assemblies-and-accessories> for Power Din connector mating jacks (Shielded and unshielded), inline mating plugs, and extension cables in various custom and standard lengths available from stock in both black and white.

<p>GlobTek, Inc. www.globtek.com 186 Veterans Drive, Northvale, NJ 07647 Tel. (201) 784-1000 Fax (201) 784-0111</p>	<p>Drawing Title: GTM91099-6015-3.0-T3A, Medical/ICT/ITE/Household use Power Supply, Efficiency Level: V, Case Color/Style: GlobTek Black, Wall Plug-in+Desktop Combination, Regulated Switchmode AC-DC Power Supply AC Adaptor, Input Rating: 100-240V~, 50-60 Hz, IEC 60320/C6 , Output Rating: 60W, 12.0V@5.0A, Output Configuration: 305 mm, 18/1C + Shield Cond, UL 1185, 4 Pin Locking Kycon or Equal, Ferrite: None, GlobTek Black, GT Cord # C0774, Pin Out: Pins 1 and 3: +12V Pins 2 and 4: GND, Blades/Input Cord: (Order Separately), Approvals: ETL; ETL; UKCA; CB 62368; ETL 62368; CCC; South Africa; RCM; VCCI; RoHS; Ukraine; PSE; WEEE; EC; Level V; Fuse 60335; Book 60601; CB 60601-1 2MOPP; CE; CE; China RoHS; IEC/EN60601-1; IEC/EN60950-1; IEC 60335; LPS 60950; CE; CB 60950; cULus; cRUus; CB EN/IEC 60335-1; SGS (Brazil); Malaysia; Conforms to 62368-1; IRAM; S-Mark IEC/EN 60601-1 60950; CE; EAC; South Africa; South Africa; PSE; PSE; PSE; FCC; IP54 optional; 2MOPP; CB 60601-1;</p>
	<p>Model No. GTM91099-6015-3.0-T3A</p>
	<p>Part No./Ordering No. RR9LE5000YL4YIMG2968 Rev D</p>

ADDITIONAL OUTPUT PLUG OPTIONS ARE AVAILABLE AT <https://www.globtek.com/connectors/>
STANDARD PLUGS AND CONNECTORS CAN BE SEEN ONLINE AT <https://www.globtek.com/connectors/>
CALCULATE VOLTAGE REGULATION/DROP WITH OUR ONLINE CALCULATOR: <https://en.globtek.com/output-cable-regulation-calculator/>

GlobTek, Inc. www.globtek.com 186 Veterans Drive, Northvale, NJ 07647 Tel. (201) 784-1000 Fax (201) 784-0111	Drawing Title: GTM91099-6015-3.0-T3A, Medical/ICT/ITE/Household use Power Supply, Efficiency Level: V, Case Color/Style: GlobTek Black, Wall Plug-in+Desktop Combination, Regulated Switchmode AC-DC Power Supply AC Adaptor, Input Rating: 100-240V~, 50-60 Hz, IEC 60320/C6 , Output Rating: 60W, 12.0V@5.0A, Output Configuration: 305 mm, 18/1C + Shield Cond, UL 1185, 4 Pin Locking Kycon or Equal, Ferrite: None, GlobTek Black, GT Cord # C0774, Pin Out: Pins 1 and 3: +12V Pins 2 and 4: GND, Blades/Input Cord: (Order Separately), Approvals: ETL; ETL; UKCA; CB 62368; ETL 62368; CCC; South Africa; RCM; VCCI; RoHS; Ukraine; PSE; WEEE; EC; Level V; Fuse 60335; Book 60601; CB 60601-1 2MOPP; CE; CE; China RoHS; IEC/EN60601-1; IEC/EN60950-1; IEC 60335; LPS 60950; CE; CB 60950; cULus; cRUus; CB EN/IEC 60335-1; SGS (Brazil); Malaysia; Conforms to 62368-1; IRAM; S-Mark IEC/EN 60601-1 60950; CE; EAC; South Africa; South Africa; PSE; PSE; PSE; FCC; IP54 optional; 2MOPP; CB 60601-1;	
	Model No. GTM91099-6015-3.0-T3A	
	Part No./Ordering No. RR9LE5000YL4YIMG2968	Rev D

OUTPUT CONNECTOR HOOK UP

TO ADDRESS SYSTEM-LEVEL EMI CONCERNS, FERRITE CHOKES/BEADS MAY BE ADDED/REVISED UPON REQUEST. A SAMPLE KIT OF GLOBTEK'S STANDARD FERRITES IS AVAILABLE UNDER GLOBTEK P/N: EMI-MITIGATION-KIT1

FOR ADDITIONAL INFORMATION, PLEASE READ OUR WHITE PAPER AT:

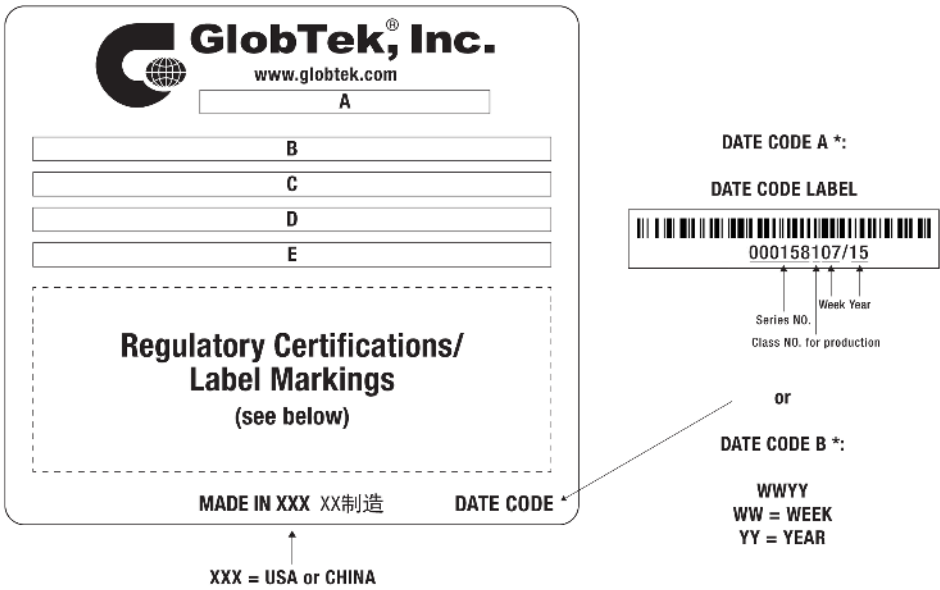
<https://en.globtek.com/technical-articles/ferrite-kit-radiated-emi-suppression-kit-for-globtek-power-supplies-cable-assemblies>

GlobTek, Inc. www.globtek.com 186 Veterans Drive, Northvale, NJ 07647 Tel. (201) 784-1000 Fax (201) 784-0111	Drawing Title: GTM91099-6015-3.0-T3A, Medical/ICT/ITE/Household use Power Supply, Efficiency Level: V, Case Color/Style: GlobTek Black, Wall Plug-in+Desktop Combination, Regulated Switchmode AC-DC Power Supply AC Adaptor, Input Rating: 100-240V~, 50-60 Hz, IEC 60320/C6 , Output Rating: 60W, 12.0V@5.0A, Output Configuration: 305 mm, 18/1C + Shield Cond, UL 1185, 4 Pin Locking Kycon or Equal, Ferrite: None, GlobTek Black, GT Cord # C0774, Pin Out: Pins 1 and 3: +12V Pins 2 and 4: GND, Blades/Input Cord: (Order Separately), Approvals: ETL; ETL; UKCA; CB 62368; ETL 62368; CCC; South Africa; RCM; VCCI; RoHS; Ukraine; PSE; WEEE; EC; Level V; Fuse 60335; Book 60601; CB 60601-1 2MOPP; CE; CE; China RoHS; IEC/EN60601-1; IEC/EN60950-1; IEC 60335; LPS 60950; CE; CB 60950; cULus; cRUus; CB EN/IEC 60335-1; SGS (Brazil); Malaysia; Conforms to 62368-1; IRAM; S-Mark IEC/EN 60601-1 60950; CE; EAC; South Africa; South Africa; PSE; PSE; FCC; IP54 optional; 2MOPP; CB 60601-1;	
	Model No. GTM91099-6015-3.0-T3A	
	Part No./Ordering No. RR9LE5000YL4YIMG2968	Rev D

LABEL:L-1186

LABEL P/N	Standard GT
MATERIAL	Flat Thermal Transfer, Imprintable, Polyester Label and/or Pad Printed and/or Molded, and/or Laser Engraved in the case
BACKGROUND COLOR	Black if housing is Black, White or Silver if housing is White or Gray.
TEXT COLOR	White or Silver if label is Black Background for Black housing. Black if label is White or Silver background and Housing is White or Gray.
LABEL WIDTH (mm)	44.5
LABEL HEIGHT (mm)	49.5
SPECIAL BARCODE LABEL MATERIAL	No

Below is the minimum information which will appear on the label. NOTE: in the logo area additional/actual positioning of symbols and text is subjected to change as per agency updates/requirements or additional model approvals become available. Regulatory certifications/label markings may be in logo area on the label or molded into the case housing outside the label area. Information will be shown via label and/or pad printed and/or molded and/or laser engraved in the case. * Date code markings at GlobTek option



- A=Medical/ICT/ITE/Household use Power Supply
- B=P/N: (料号) RR9LE5000YL4YIMG2968
- C=Model (型号) GTM91099-6015-3.0-T3A
- D=Input (输入)100-240V~, 50-60 Hz, 1.5A
- E=Output (输出)12.0 V 5.0 A, 60.00W

GlobTek, Inc. www.globtek.com 186 Veterans Drive, Northvale, NJ 07647 Tel. (201) 784-1000 Fax (201) 784-0111	Drawing Title: GTM91099-6015-3.0-T3A, Medical/ICT/ITE/Household use Power Supply, Efficiency Level: V, Case Color/Style: GlobTek Black, Wall Plug-in+Desktop Combination, Regulated Switchmode AC-DC Power Supply AC Adaptor, Input Rating: 100-240V~, 50-60 Hz, IEC 60320/C6 , Output Rating: 60W, 12.0V@5.0A, Output Configuration: 305 mm, 18/1C + Shield Cond, UL 1185, 4 Pin Locking Kycon or Equal, Ferrite: None, GlobTek Black, GT Cord # C0774, Pin Out: Pins 1 and 3: +12V Pins 2 and 4: GND, Blades/Input Cord: (Order Separately), Approvals: ETL; ETL; UKCA; CB 62368; ETL 62368; CCC; South Africa; RCM; VCCI; RoHS; Ukraine; PSE; WEEE; EC; Level V; Fuse 60335; Book 60601; CB 60601-1 2MOPP; CE; CE; China RoHS; IEC/EN60601-1; IEC/EN60950-1; IEC 60335; LPS 60950; CE; CB 60950; cULus; cRUus; CB EN/IEC 60335-1; SGS (Brazil); Malaysia; Conforms to 62368-1; IRAM; S-Mark IEC/EN 60601-1 60950; CE; EAC; South Africa; South Africa; PSE; PSE; PSE; FCC; IP54 optional; 2MOPP; CB 60601-1;	
	Model No. GTM91099-6015-3.0-T3A	
	Part No./Ordering No. RR9LE5000YL4YIMG2968	Rev D

AGENCY ONLINE DOCUMENTS	http://www.globtek.info/certs/GTM91099/
CE EC-Declaration for Medical	http://globtek.force.com/models/ec_declaration_product?id=01ta00000051R5r&m=1
CE EC-Declaration for Industrial/Commercial/ITE	http://globtek.force.com/models/ec_declaration_product?id=01ta00000051R5r&i=3
CE EC-Declaration for Household	http://globtek.force.com/models/ec_declaration_product?id=01ta00000051R5r&h=3
UKCA-Declaration for Medical	http://globtek.force.com/models/ukca_declaration_product?id=01ta00000051R5r&m=1
UKCA-Declaration for Industrial/Commercial/ITE	http://globtek.force.com/models/ukca_declaration_product?id=01ta00000051R5r&i=3
UKCA-Declaration for Household	http://globtek.force.com/models/ukca_declaration_product?id=01ta00000051R5r&h=3
Morocco SDoC Declaration	https://globtek.secure.force.com/models/Morocco_SDoC_Declaration?id=a0O30000007P7YaEAK
RoHS/RoHS3 Declaration	https://www.globtek.com/pdf/rohs_cert/01ta00000051R5rAAE
REACH Declaration	https://www.globtek.com/pdf/iso_certificates/REACH.pdf
Conflict Minerals Declaration	https://www.globtek.com/pdf/conflict-minerals.pdf
Prop 65 Statement	https://en.globtek.com/prop-65-statement.pdf
IPXY rating is based on 3rd party testing and customers should check suitability and test system level IPXY rating before ordering.	

Regulatory Certifications/Label Markings

Below follows a link to the latest regulatory certifications and marks for this specific product. National standards as well as certification schemes are constantly changing and so is the set of certification marks and symbols applicable to this product. Various standards, marks and symbols, and certificates are subject to change at any time without notice.

Additional standards or unique country certifications are available upon request. Please contact Globtek to request a quotation.

LATEST PRODUCT/MODEL CERTIFICATIONS:	https://www.globtek.com/datasheet/w70443
AGENCY ONLINE DOCUMENTS	http://www.globtek.info/certs/GTM91099/



(E1) Earthed output



Pins 1 and 3: +12V
Pins 2 and 4: GND

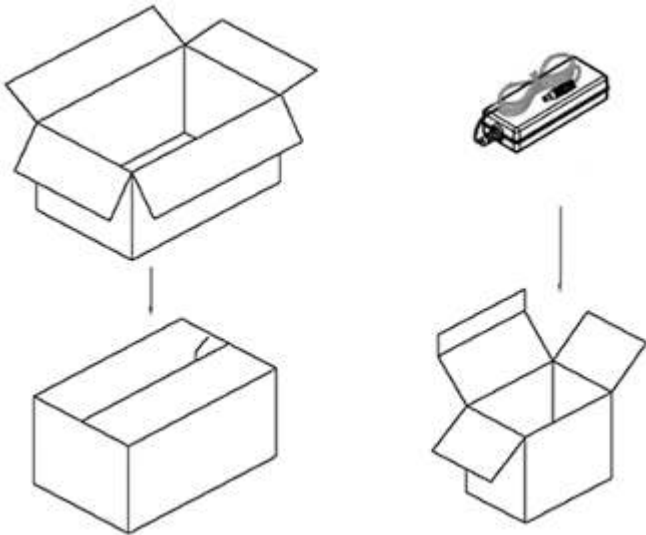
GlobTek, Inc. www.globtek.com 186 Veterans Drive, Northvale, NJ 07647 Tel. (201) 784-1000 Fax (201) 784-0111	Drawing Title: GTM91099-6015-3.0-T3A, Medical/ICT/ITE/Household use Power Supply, Efficiency Level: V, Case Color/Style: GlobTek Black, Wall Plug-in+Desktop Combination, Regulated Switchmode AC-DC Power Supply AC Adaptor, Input Rating: 100-240V~, 50-60 Hz, IEC 60320/C6 , Output Rating: 60W, 12.0V@5.0A, Output Configuration: 305 mm, 18/1C + Shield Cond, UL 1185, 4 Pin Locking Kycon or Equal, Ferrite: None, GlobTek Black, GT Cord # C0774, Pin Out: Pins 1 and 3: +12V Pins 2 and 4: GND, Blades/Input Cord: (Order Separately), Approvals: ETL; ETL; UKCA; CB 62368; ETL 62368; CCC; South Africa; RCM; VCCI; RoHS; Ukraine; PSE; WEEE; EC; Level V; Fuse 60335; Book 60601; CB 60601-1 2MOPP; CE; CE; China RoHS; IEC/EN60601-1; IEC/EN60950-1; IEC 60335; LPS 60950; CE; CB 60950; cULus; cRUus; CB EN/IEC 60335-1; SGS (Brazil); Malaysia; Conforms to 62368-1; IRAM; S-Mark IEC/EN 60601-1 60950; CE; EAC; South Africa; South Africa; PSE; PSE; PSE; FCC; IP54 optional; 2MOPP; CB 60601-1;	
	Model No. GTM91099-6015-3.0-T3A	
	Part No./Ordering No. RR9LE5000YL4YIMG2968	Rev D

PACKAGING

Packing Spec P/N	Standard DT, Individually Box
Box Qty	60
Gift Box Size (mm)	142 x 62 x 60
Gift Box Color	White
Master Carton Size (mm)	442 x 330 x 275
Master Carton Cubic Volume (m³)	0.04
Master GW (Kg)	15.2 kg
BLADES INCLUDED	None: (Order Separately)
BLADE/CORD INSTALLED	None: (Order Separately)
USER MANUAL*	
USER MANUAL WEB LINK	

* This specification sheet is considered the user manual for all applications. It is expected that the buyer of this product will use it to formulate their own user manual for their end product and a user manual specifically for the power adapter is not usually required. If a user manual is not specifically listed above then none will be provided with this unit.

If specific packaging is required, this section must specify all requirements and note "no exceptions". If this section does not specify packaging, it is subject to change without notice at GlobTek's discretion



PROPRIETARY INFORMATION

PROPRIETARY OF GLOBTEK, INC. ANY REPRODUCTION, DISCLOSURE OR USE OF THIS DRAWING, IN WHOLE OR IN PART, IS HEREBY PROHIBITED EXCEPT AS SPECIFIED IN Page 16 of 18

WRITING BY GLOBTEK, INC. © GlobTek, Inc. 2014 - 2023

quest / 08/08/2023 10:40:38 PM GMT

GlobTek, Inc. www.globtek.com 186 Veterans Drive, Northvale, NJ 07647 Tel. (201) 784-1000 Fax (201) 784-0111	Drawing Title: GTM91099-6015-3.0-T3A, Medical/ICT/ITE/Household use Power Supply, Efficiency Level: V, Case Color/Style: GlobTek Black, Wall Plug-in+Desktop Combination, Regulated Switchmode AC-DC Power Supply AC Adaptor, Input Rating: 100-240V~, 50-60 Hz, IEC 60320/C6 , Output Rating: 60W, 12.0V@5.0A, Output Configuration: 305 mm, 18/1C + Shield Cond, UL 1185, 4 Pin Locking Kycon or Equal, Ferrite: None, GlobTek Black, GT Cord # C0774, Pin Out: Pins 1 and 3: +12V Pins 2 and 4: GND, Blades/Input Cord: (Order Separately), Approvals: ETL; ETL; UKCA; CB 62368; ETL 62368; CCC; South Africa; RCM; VCCI; RoHS; Ukraine; PSE; WEEE; EC; Level V; Fuse 60335; Book 60601; CB 60601-1 2MOPP; CE; CE; China RoHS; IEC/EN60601-1; IEC/EN60950-1; IEC 60335; LPS 60950; CE; CB 60950; cULus; cRUus; CB EN/IEC 60335-1; SGS (Brazil); Malaysia; Conforms to 62368-1; IRAM; S-Mark IEC/EN 60601-1 60950; CE; EAC; South Africa; South Africa; PSE; PSE; PSE; FCC; IP54 optional; 2MOPP; CB 60601-1;	
	Model No. GTM91099-6015-3.0-T3A	
	Part No./Ordering No. RR9LE5000YL4YIMG2968	Rev D

INSTRUCTIONS TO THE OEM SYSTEMS ENGINEER

It is the responsibility of the OEM systems engineer to provide the end system user instructions and warnings for the use of this product in the end system.

If an input cord is required for this product, AC Mains voltage should be provided to the power supply by a power supply cord approved to the national standards of the country in which it will be used.

This product is not designed to be repaired. No serviceable parts inside. A blown internal fuse is an indication of catastrophic failure of circuit component(s). If a Failure Analysis is required for a failed power supply/battery charger, please return the damaged unit to GlobTek for an accurate determination of the root cause of the failure.

EMC Compliance of the complete OEM product, including the GlobTek power supply/battery charger needs to be verified by the OEM systems engineer.

INSTRUCTION SHEET

N/A

<p>GlobTek, Inc. www.globtek.com 186 Veterans Drive, Northvale, NJ 07647 Tel. (201) 784-1000 Fax (201) 784-0111</p>	<p>Drawing Title: GTM91099-6015-3.0-T3A, Medical/ICT/ITE/Household use Power Supply, Efficiency Level: V, Case Color/Style: GlobTek Black, Wall Plug-in+Desktop Combination, Regulated Switchmode AC-DC Power Supply AC Adaptor, Input Rating: 100-240V~, 50-60 Hz, IEC 60320/C6 , Output Rating: 60W, 12.0V@5.0A, Output Configuration: 305 mm, 18/1C + Shield Cond, UL 1185, 4 Pin Locking Kycon or Equal, Ferrite: None, GlobTek Black, GT Cord # C0774, Pin Out: Pins 1 and 3: +12V Pins 2 and 4: GND, Blades/Input Cord: (Order Separately), Approvals: ETL; ETL; UKCA; CB 62368; ETL 62368; CCC; South Africa; RCM; VCCI; RoHS; Ukraine; PSE; WEEE; EC; Level V; Fuse 60335; Book 60601; CB 60601-1 2MOPP; CE; CE; China RoHS; IEC/EN60601-1; IEC/EN60950-1; IEC 60335; LPS 60950; CE; CB 60950; cULus; cRUus; CB EN/IEC 60335-1; SGS (Brazil); Malaysia; Conforms to 62368-1; IRAM; S-Mark IEC/EN 60601-1 60950; CE; EAC; South Africa; South Africa; PSE; PSE; PSE; FCC; IP54 optional; 2MOPP; CB 60601-1;</p>
	<p>Model No. GTM91099-6015-3.0-T3A</p>
	<p>Part No./Ordering No. RR9LE5000YL4YIMG2968 Rev D</p>

