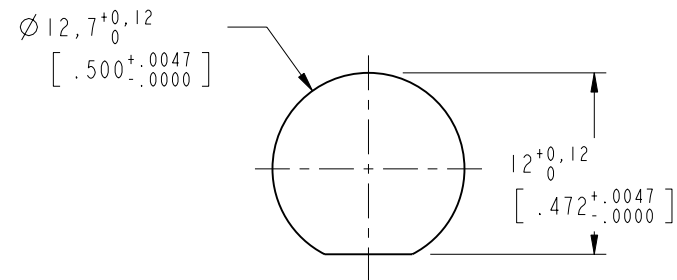


NOTES:

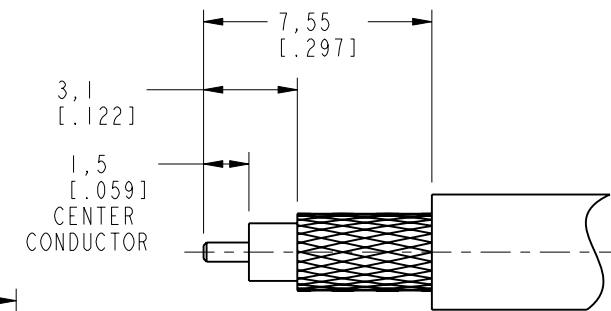
- MATERIALS AND FINISHES:**  
 BODY, HEX NUT, LOCK WASHER, REAR BODY & FERRULE - BRASS, BLACK CHROMATE OVER NICKEL  
 CONTACT - BeCu, GOLD PLATING  
 BULLET CONTACT - BRASS, GOLD PLATING  
 INSULATOR - PTFE, NATURAL
- ELECTRICAL:**  
 A. IMPEDANCE: 50 OHM  
 B. FREQUENCY RANGE: DC - 4 GHz  
 C. VSWR (RETURN LOSS): 1.30 MAX. (-17.7 dB MIN.)  
 D. DIELECTRIC WITHSTAND VOLTAGE: 1500 VRMS, MIN.
- MECHANICAL:**  
 A. DURABILITY: 500 CYCLES MIN.  
 B. TEMPERATURE RANGE: -40°C TO +85°C  
 C. COSMETIC PARAMETERS OF PLATING PER AMPHENOL SPEC. 349-50966
- CONTACT PIN CAN BE SOLDERED OR USE 4-WAY INDENT CRIMP TOOL #47025.
- CABLE ASSEMBLY INSTRUCTIONS:**  
 A. TRIM CABLE AS SHOWN.  
 B. SLIDE FERRULE ONTO CABLE.  
 C. SOLDER BULLET CONTACT TO CABLE CENTER CONDUCTOR.  
 D. INSERT CABLE WITH FOIL ENTERING CONNECTOR AND BRAID OVER KNURL.  
 E. CRIMP FERRULE OVER BRAID WITH .100" HEX DIE.
- PACKAGING:**  
 A. QUANTITY: SINGLE PACK  
 B. MARK BAG OR TAG "AMPHENOL RF, 31-6843-BC, DATE CODE"  
 C. HEX NUT, LOCK WASHER, BULLET CONTACT, FERRULE AND HEAT SHRINK TUBING ARE PACKAGED LOOSE

6 SHOWS CABLE ENTRY DIMENSIONS.

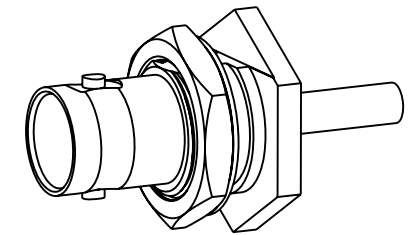


**RECOMMENDED MOUNTING HOLE DIMENSIONS**

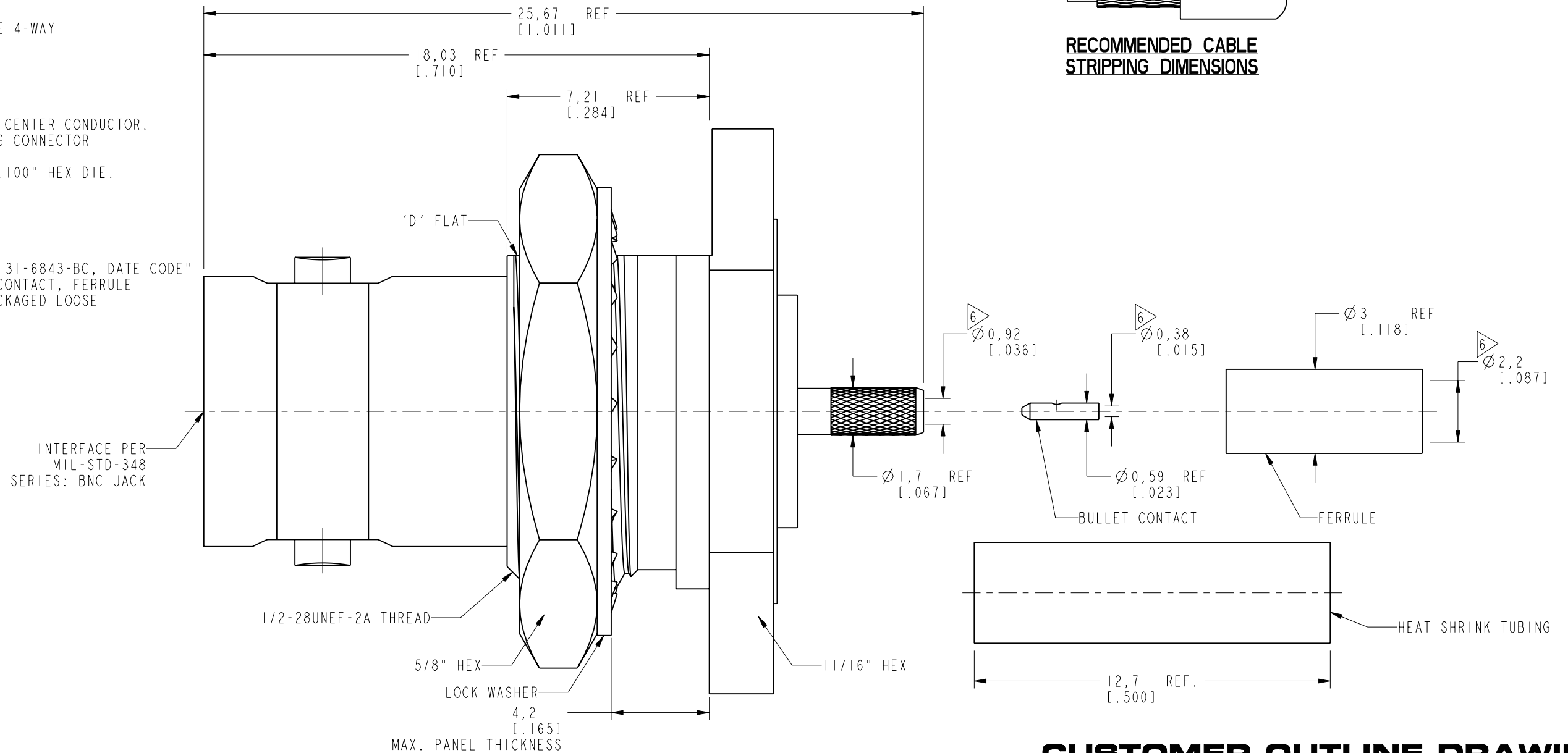
REVISIONS				
REV	DESCRIPTION	DATE	ECN	BY
A	RELEASE TO MFG.	1-JUN-22	16318	SH



**RECOMMENDED CABLE STRIPPING DIMENSIONS**



SCALE 1.500



INTERFACE PER MIL-STD-348 SERIES: BNC JACK

**CUSTOMER OUTLINE DRAWING**  
 ALL OTHER SHEETS ARE FOR INTERNAL USE ONLY

NOTICE: These drawings, specifications, or other data (1) are, and remain the property of Amphenol corp. (2) must be returned upon request; and (3) are confidential and not to be disclosed to any person other than those to whom they are given by Amphenol Corp. The furnishing of these drawings, specifications, or other data by Amphenol Corp., or to any other person to anyone for any purpose is not to be regarded by implication or otherwise in any manner licensing, granting rights to permitting such holder or any other person to manufacture, use or sell any product, process or design, patented or otherwise, that may in any way be related to or disclosed by said drawings, specifications, or other data.

UNLESS OTHERWISE SPECIFIED DIMENSIONS ARE METRIC (INCHES) AND TOLERANCES ARE:  
 <math><0.5\text{mm} = \pm 0.05\text{mm}</math> [ $<0.020 = \pm 0.002</math>]  
 <math>0.5 - 6\text{mm} = \pm 0.1\text{mm}</math> [ $>0.020 - 0.236 = \pm 0.004</math>]  
 <math>>6.00 - 30\text{mm} = \pm 0.2\text{mm}</math> [ $>0.236 - 1.181 = \pm 0.008</math>]  
 <math>>30.00 - 120\text{mm} = \pm 0.3\text{mm}</math> [ $>1.181 - 4.725 = \pm 0.012</math>]  
 ANGLES =  $\pm 1^\circ$$$$$

MATERIAL  
 ENGR.1 C.VIGORITO ENGR.2 JACK LIANG DATE 08-JUN-22

TITLE  
 BNC STR BHD JACK  
 RG-178B/U, 196A/U CABLE  
 BLACK PLATED  
 SHEET NO. 2 OF 2 SCALE: 6.0:1.0

Amphenol RF  
 DRAWING NO. 31-6843-BC  
 ITEM NO. 31-6843-BC  
 PART NO. 31-6843-BC  
 REV A

THIRD ANGLE PROJ.

REFERENCE EAR# 10661