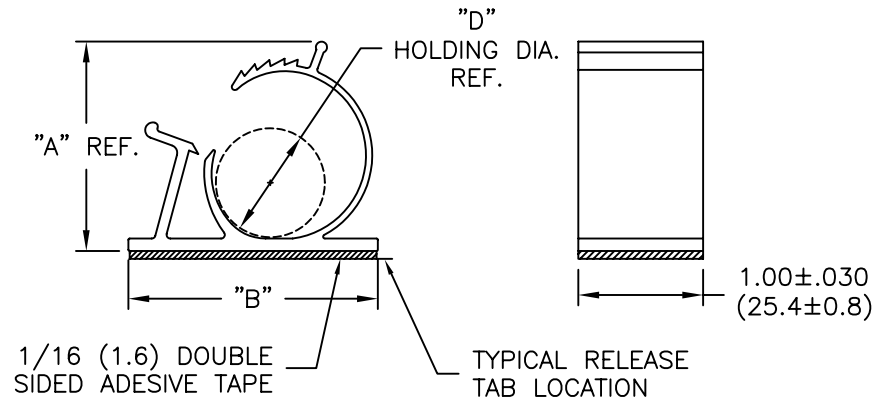


EAKKL-5062
STYLE ONLY

PART NO.	"A" REF.	"B"	"D" HOLDING DIA. REF.
EAKKL-5062-A-RT	1.15 (29.2)	1-1/4 (31.8)	1/2-5/8 (12.7-15.9)
EAKKL-8710-A-RT	1.62 (41.1)	2 (50.8)	7/8-1 (22.2-25.4)
EAKKL-10112-A-RT	2.05 (52.1)	2-1/2 (63.5)	1- 1-1/8 (25.4-28.6)



NOTES:

1. MATERIAL: RIGID PVC (RMS-04).
2. COLOR: GRAY.
3. ACRYLIC ADHESIVE TAPE (RMS-15).
4. CUSTOM LENGTHS AVAILABLE BY SPECIAL ORDER.

B UPDATED NOTES; ADDED TOL. ±.030 (±0.8) (ECN #470) SM 09.23.02 A ADDED -A-RT FOR TAPE DLC 12.14.01 REV DESCRIPTION ENGR DATE			TITLE: EXTRUDED ADJUSTABLE KWIK KLIP				DWG IN IN (MM) FINAL					
TOLERANCES UNLESS NOTED .XX=±.020 .XXX=±.015 FRAC=±1/32 ANG=±1°			FILE # EAKKL MAT'L: SEE NOTES RE: RICHCO, INC.		DWN: R.S. DT: 04-15-94		APP: B.R. DT: 09/23/02		PART # SEE TABLE		PRINT TYPE CA	
			RICHCO INC. PO BOX 804238, CHICAGO, 60680 (773) 539-4060									