

RED INDICATES ORIGINAL

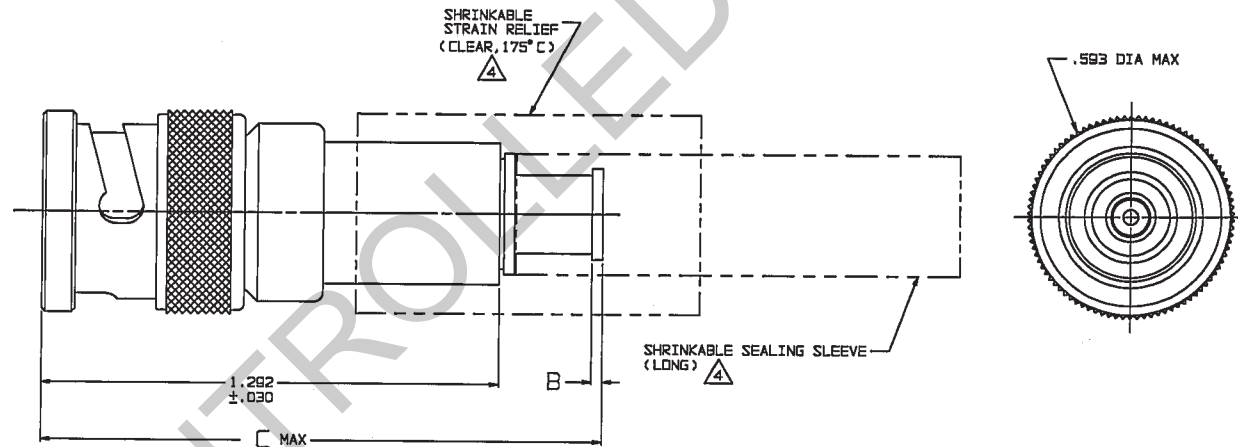
DWG SIZE: **C**
 DATA CONTAINED IN THIS DOCUMENT IS PROPRIETARY TO TROMPETER ELECTRONICS INC. AND SHALL NOT BE DISCLOSED, COPIED OR USED FOR REPRODUCTION OR MANUFACTURE WITHOUT EXPRESS WRITTEN PERMISSION.

REVISONS			310-0055	SH 1	
REV	EO	DESCRIPTION	DWN	APPROVED	DATE
N	12087	-306 & -308 TAI-218 WAS TAI-168; SEE ECO	DKC	WJM (96)	8/26/99

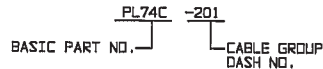
DASH NO	CABLES ACCOMMODATED	A HEX	B DIM	C MAX	ASSEMBLE PER
-201	M17/176-00002	.344	.030	1.70	TAI-168
-202	TWC-78-1				
-203	TWC-124-1A				
-204	10602, RAYCHEM				
-205	TWAC-78-1F2				
-206	782600130 RAYCHEM				
-207	83310, BELDEN				
-208	202-3927, MICRODOT				
-209	202-3942, MICRODOT				
-210	8451, BELDEN				
-211	202-3934, MICRODOT				
-212	2524E0114, RAYCHEM				
-213	TWC-78-2				
-214	TWC-124-2				
-215	BL982, TIMES				
-216	BL1242, TIMES				
-217	GC875TM24H, GRUMMAN				
-218	EDP221888, RAYCHEM				
-219	252801114, RAYCHEM				
-220	GC875RRI, GRUMMAN				
-221	10614, RAYCHEM				
-222	10513, RAYCHEM				
-223	HMS2-1149, HUGHES				

DASH NO	CABLES ACCOMMODATED	A HEX	B DIM	C MAX	ASSEMBLE PER
-301	GC875GC1, GRUMMAN	.344	.030	1.70	TAI-168
-302	GC875GB1, GRUMMAN				
-302	5022E5111, RAYCHEM				
-303	7528A5314, RAYCHEM				
-304					
-305	M17/177-00001, THERMATICS				
-306	TRC-50-2				
-306	M17/134-00002				
-307	TRC-75-1				
-308	TRC-75-2				
-309	TRC-50-1				

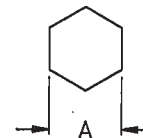
INCH	MM
.005	0.13
.030	0.76
.344	8.74
.593	15.08
1.25	31.75
1.00	25.40
1.292	32.82
1.44	36.58
1.70	43.18
1.75	44.45



5. EXAMPLE OF COMPLETE MODEL NO:



-202 SHOWN



RECOMMENDED
 HEX CRIMP
 SCALE: 2/1

1 SHRINKABLE STRAIN RELIEF AND/OR SHRINKABLE SEALING SLEEVE SUPPLIED LOOSE AS FOLLOWS:

- a. CABLE GROUPS -201 THROUGH -210, -217 THROUGH -303, -305, -307 & -308
 - 1 SHRINKABLE STRAIN RELIEF (1.00 LONG)
 - 1 SHRINKABLE SEALING SLEEVE (1.25 LONG)
- b. CABLE GROUPS -211 THROUGH -216 & -306 & -308
 - 1 SHRINKABLE STRAIN RELIEF (1.75 LONG)

3. 2-LUG BAYONET CONCENTRIC TWINAX/TRIAX TRB, FULL CRIMP CABLE PLUG

2. FINISH: TFS-1A (NICKEL)

1. ALL DIM ARE IN INCHES

QTY	DESCRIPTION	PART NUMBER	ITEM
TOL UNLESS SPECIFIED .001 ± .003 ± .005 3000K ANGLES:	TROMPETER RF connectivity	PL74C	
DWN DKC B-4-97	MATERIAL	CODE IDENT	DRAWING NO.
CHK WJM R-20-97		14949	310-0055
ENGR	SCALE 4/1	DATE 4/3/85	SHEET 1 OF 2
NEXT ASSY	APPR WJM/sg		