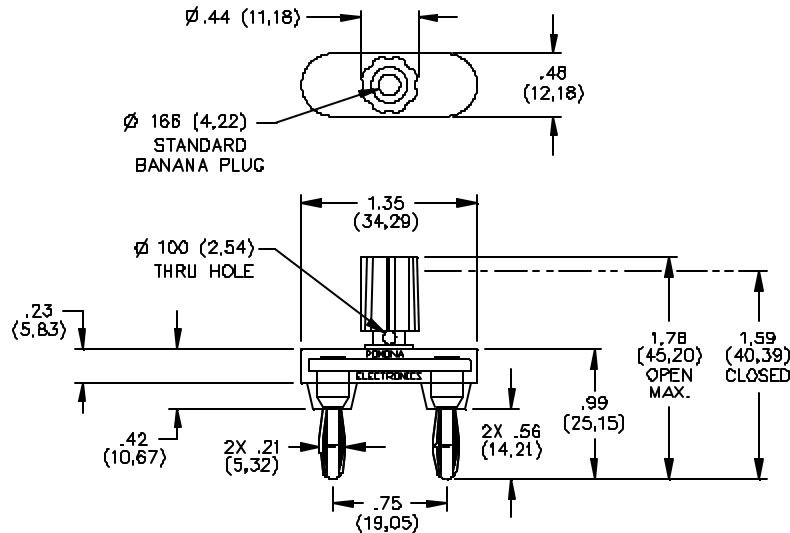


## Model 5165 Encapsulated Double Banana Plug Shorting Bar With Binding Post



### FEATURES:

- Mates to Model #2269 or any standard double banana jack.
- Binding post cross hole allows attachment of pin tip plugs.
- Shorting bar is completely encapsulated in clear Polypropylene.

### MATERIALS:

#### Upper Conn.:

Binding Post Body: Brass, per QQ-B-626 Alloy 360, ½ Hard.  
Finish: Nickel plated per QQ-N-290, Class 2, 200/300 microinches.  
Insulation: Polycarbonate molded to collar.  
Color: See ordering information.

#### Shorting Bar:

Material: Brass, per QQ-B-613, Composition  
Finish: Nickel plated per QQ-N-290, Class 2,

Insulation: Polypropylene molded to binding post, shorting bar and banana plugs.

Color: Clear.

Marking "POMONA ELECTRONICS"  
"MODEL 5165"

#### Lower Conn.:

Banana Plugs:

Material: Spring: Beryllium Copper per QQ-C-533, Berylco 25, Cond. H.T.

Plug body: Brass, per QQ-B-626, Alloy 360, ½ Hard

Finish: Nickel plated per QQ-N-290, Class 2, 200/300 microinches.

### RATINGS:

Operating Temperature: +50°C. (+122°F.) Max.

Operating Voltage: 2500 VRMS

Current: 15 Amperes

Resistance: Less than 1.5 milliohms. 2, ½ Hard

**ORDERING INFORMATION** 200/300 microinches.

\*=Color, -0 Black, -2 Red

Ordering Example: 5165-2 Color is Red

All dimensions are in inches. Tolerances (except noted): .xx = ±.02" (.51 mm), .xxx = ±.005" (.127 mm).  
All specifications are to the latest revisions. Specifications are subject to change without notice.  
Registered trademarks are the property of their respective companies.

Made in USA