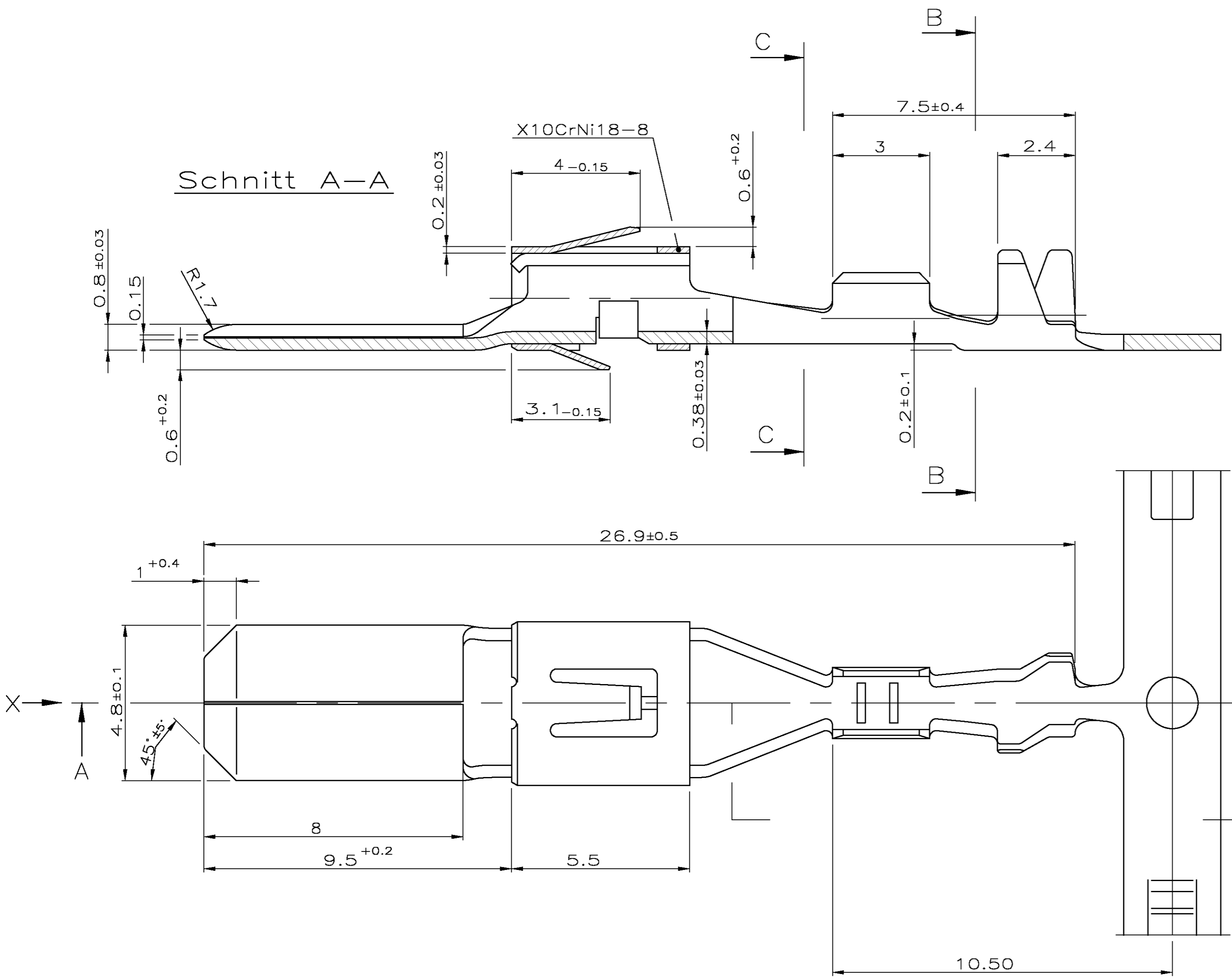


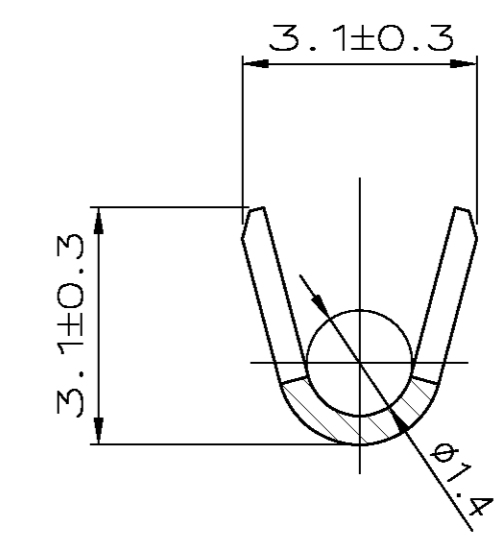
THIS DRAWING IS UNPUBLISHED. RELEASED FOR PUBLICATION  
 © COPYRIGHT BY TYCO ELECTRONICS CORPORATION. ALL RIGHTS RESERVED.

WAS No. 87-9418-10  
 WAR NR. 87-9418-10

LOC		DIST		REVISIONS			
P	LTR	DESCRIPTION	DATE	DWN	APVD		
	B	Kontaktspitze abgerundet, Zeichnung ueberarbeitet	25.03.92	Derst.	—		
	D1	Rev. Status adapted to Part Status	18MAY2004	Schae.	—		
	D2	3 drawn serrations updated to 2 serrations as in specification.	05AUG2010	Kirsch, Schus.	—		

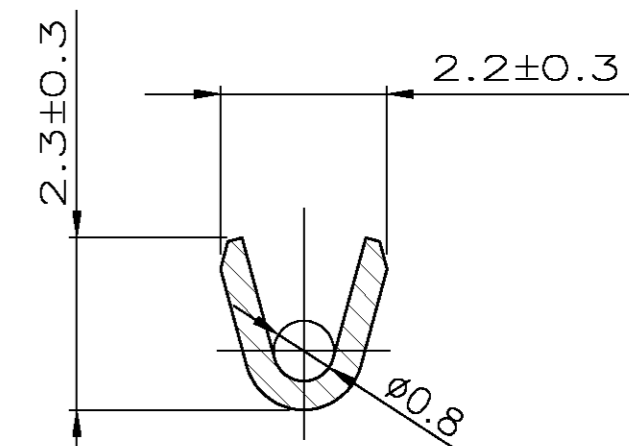


Schnitt B-B



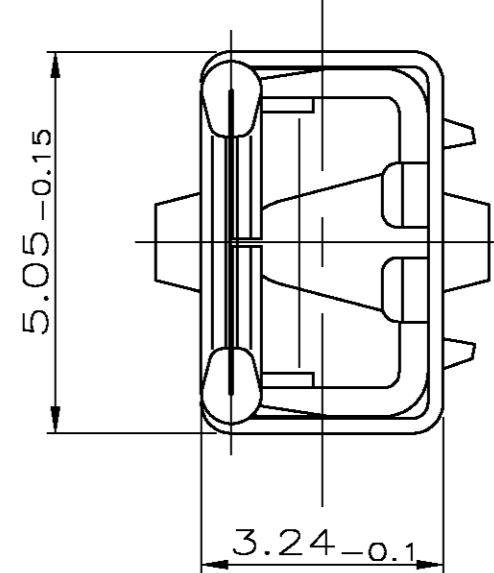
gestreckte Laenge Ref. 6.8

Schnitt C-C



gestreckte Laenge Ref. 4.7

ANSICHT X



Drahtgroessenbereich: 0.2-0.5mm<sup>2</sup>  
 Isolations ø: 1.1-1.6 (FLR)

TE-Order-No. Strip	VW-No. Strip	TE-Order-No. Loose Piece	VW-No. Loose Piece	Material	Surface Colour
963824-2	-	963825-2	-	CuFe2	pre tin
963824-1	-	963825-1	-	CuSn4	pre tin

THIS DRAWING IS A CONTROLLED DOCUMENT.		DWN	8.08.90	Tyco Electronics AMP GmbH 64625 Bensheim (Germany)	
DIMENSIONS: mm		CHK	19-MAY-04	NAME	
TOLERANCES UNLESS OTHERWISE SPECIFIED:		APVD	05AUG2010	4.8 MM TAB WITH DOUBLE LOCKING LANCE	
0 PLC ± -		PRODUCT SPEC		SIZE	
1 PLC ± -		APPLICATION SPEC		CAGE CODE	
2 PLC ± 0.2 mm				DRAWING NO	
3 PLC ± -				A2 00779	
4 PLC ± -				C=963824	
ANGLES ± 2°				RESTRICTED TO	
MATERIAL		WEIGHT	-	SCALE	
SEE TABLE				10:1	
FINISH				SHEET	
SEE TABLE				1 of 1	
CUSTOMER DRAWING				REV	
				D2	