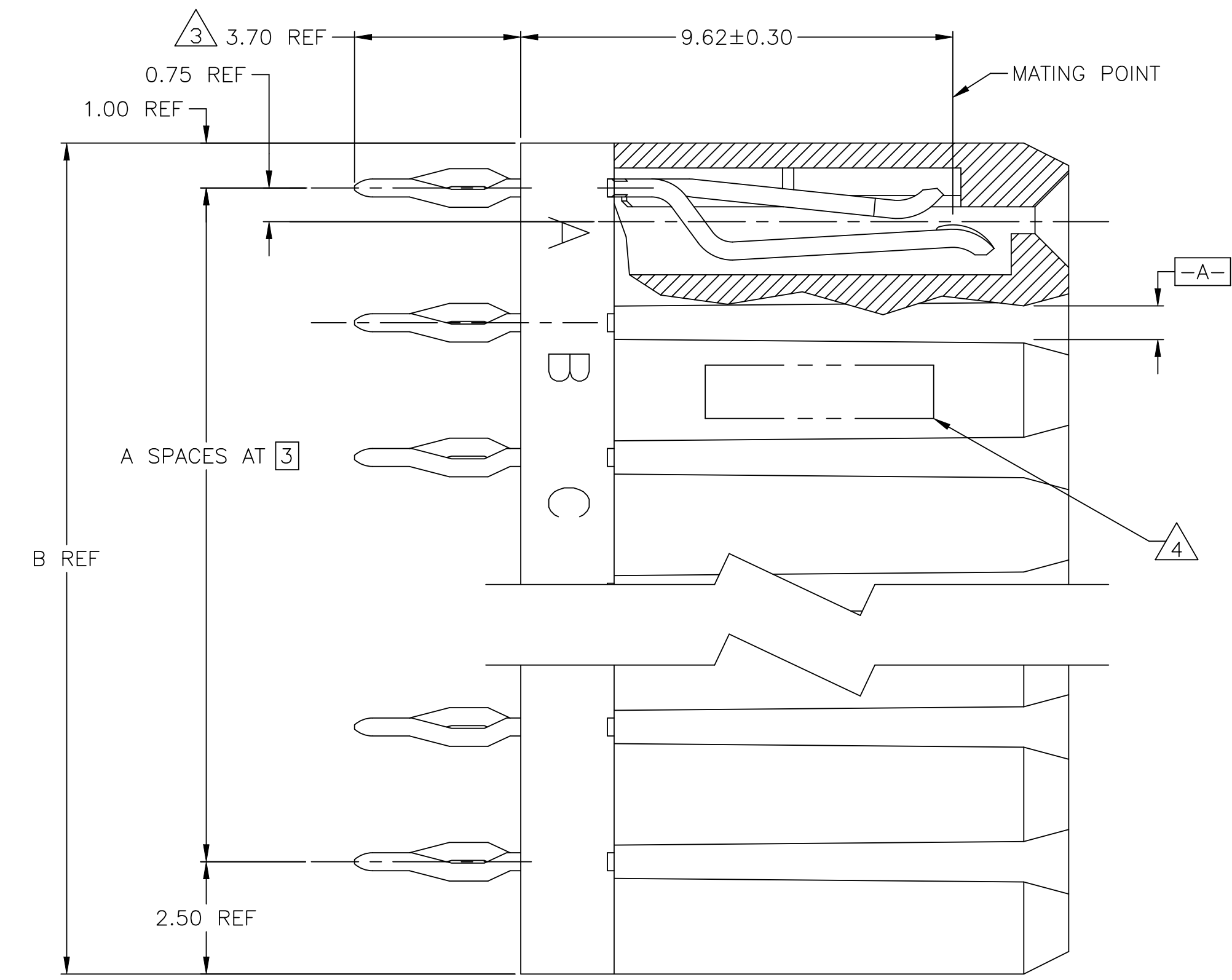
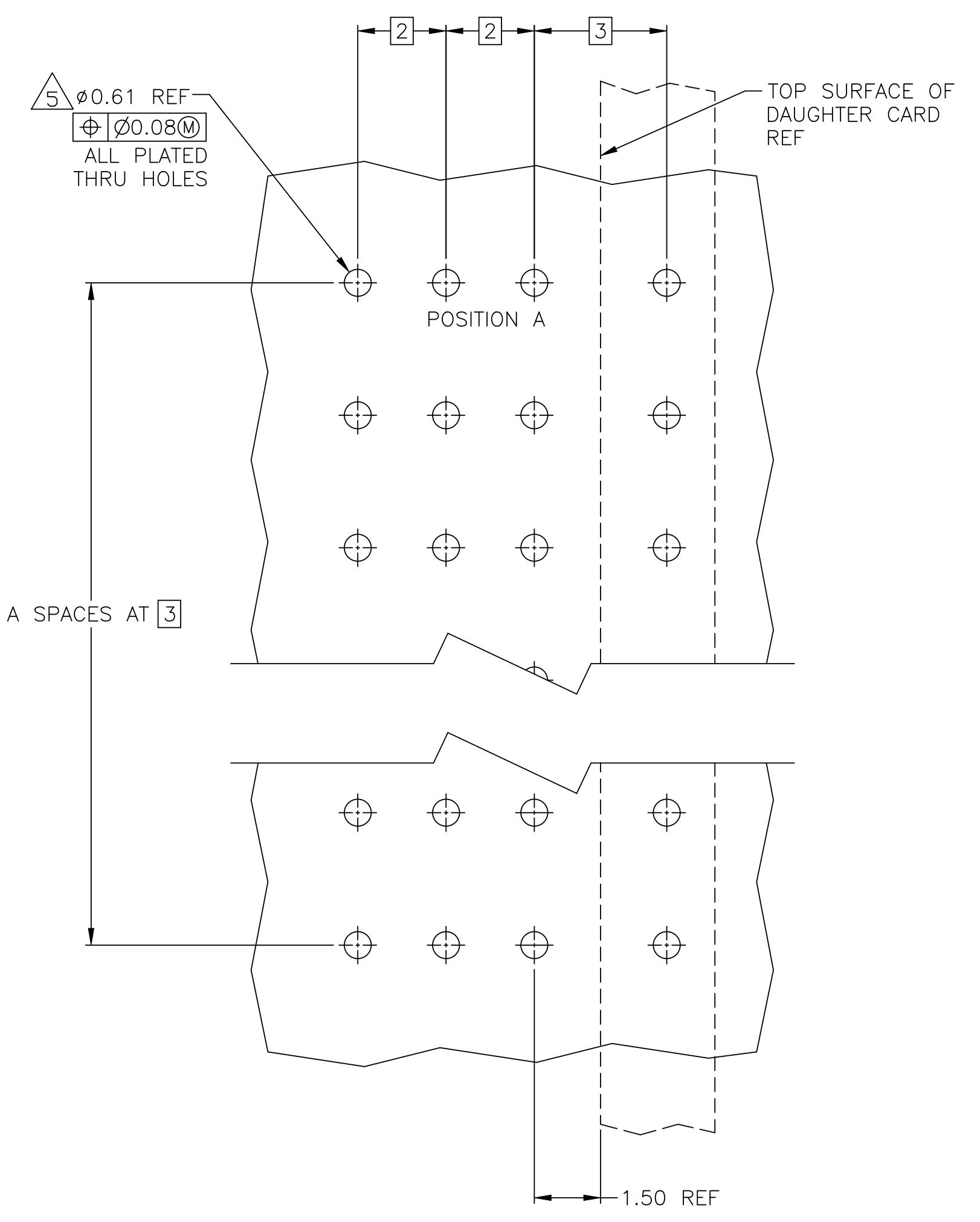
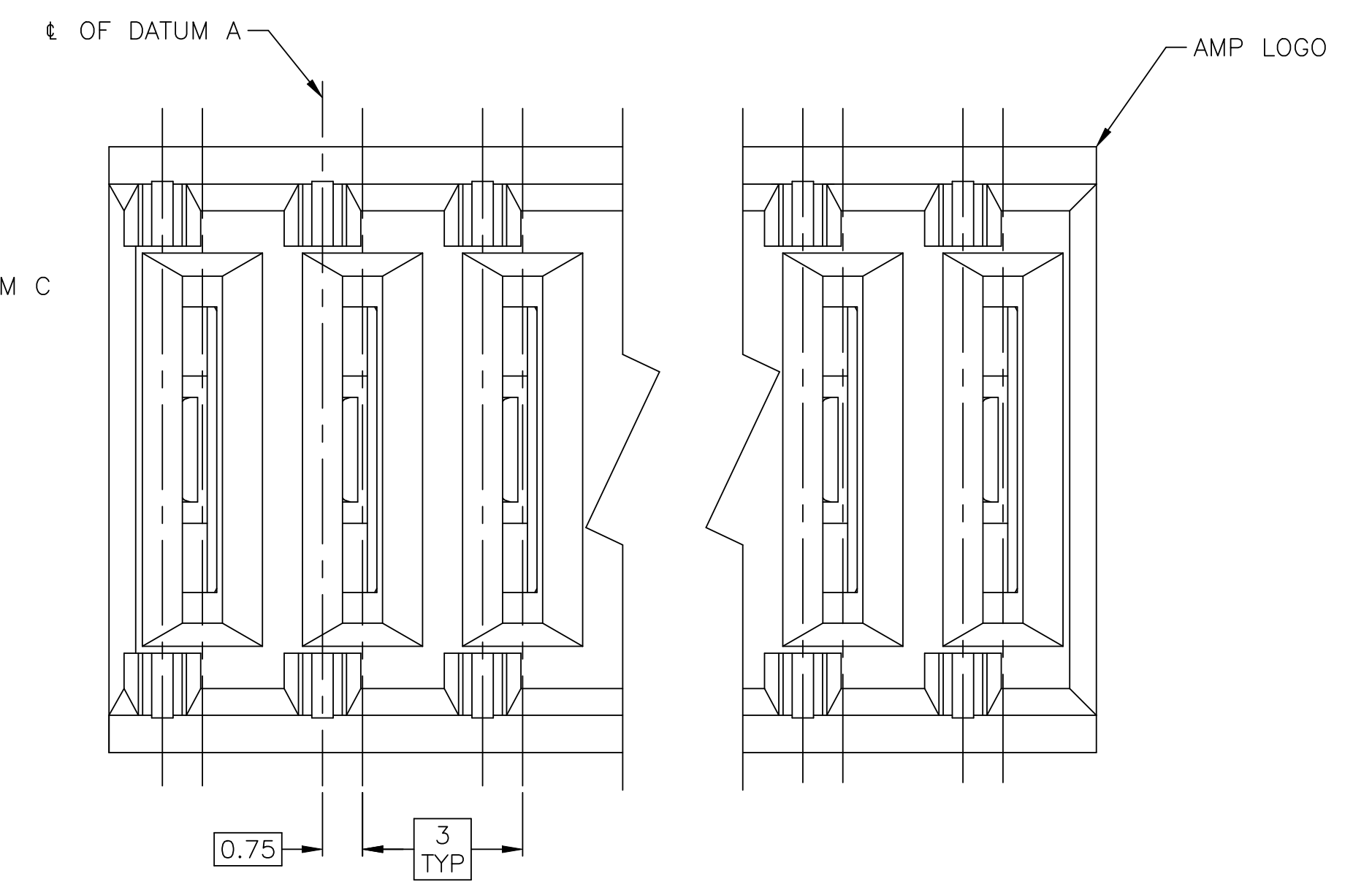
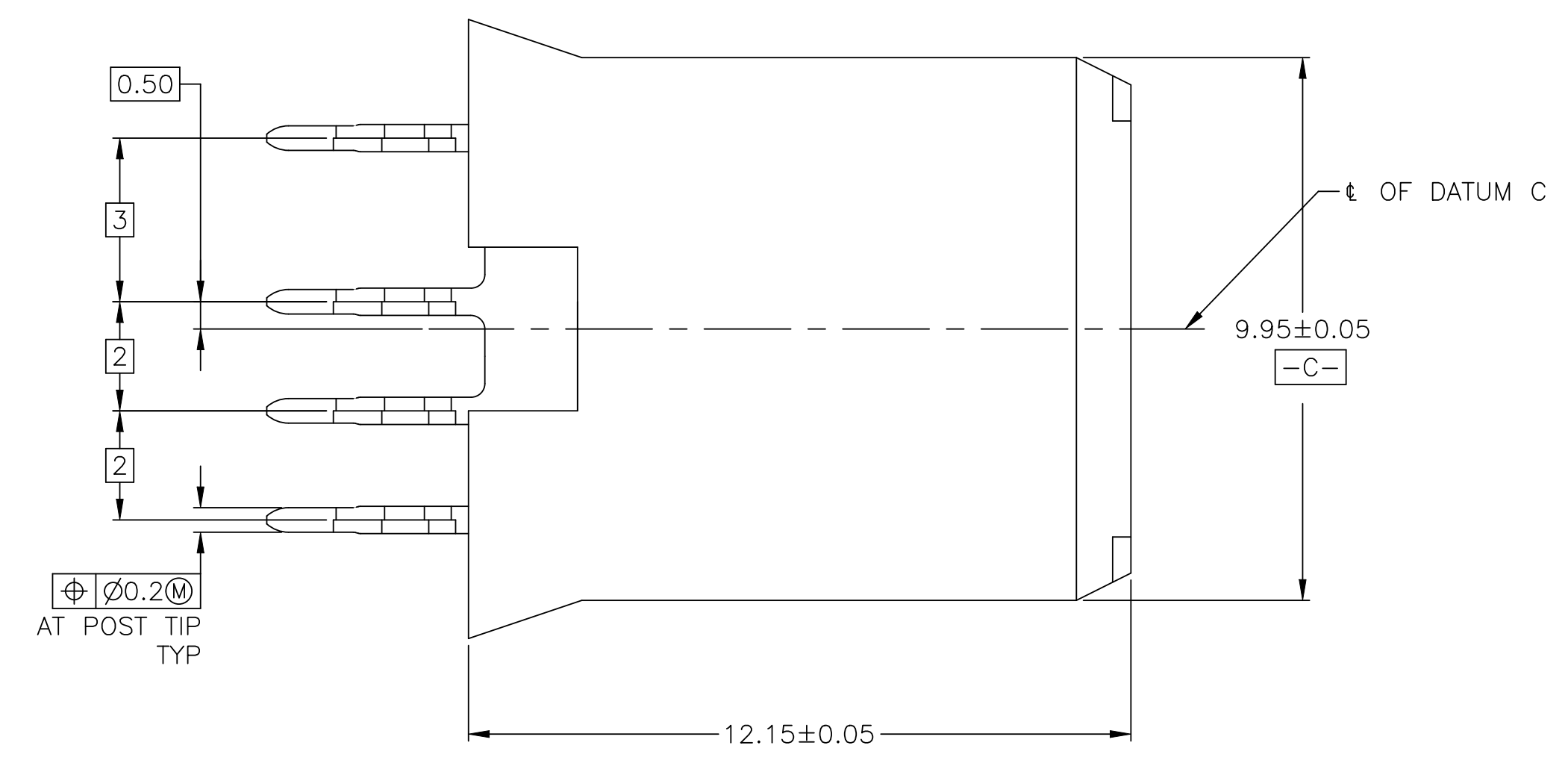
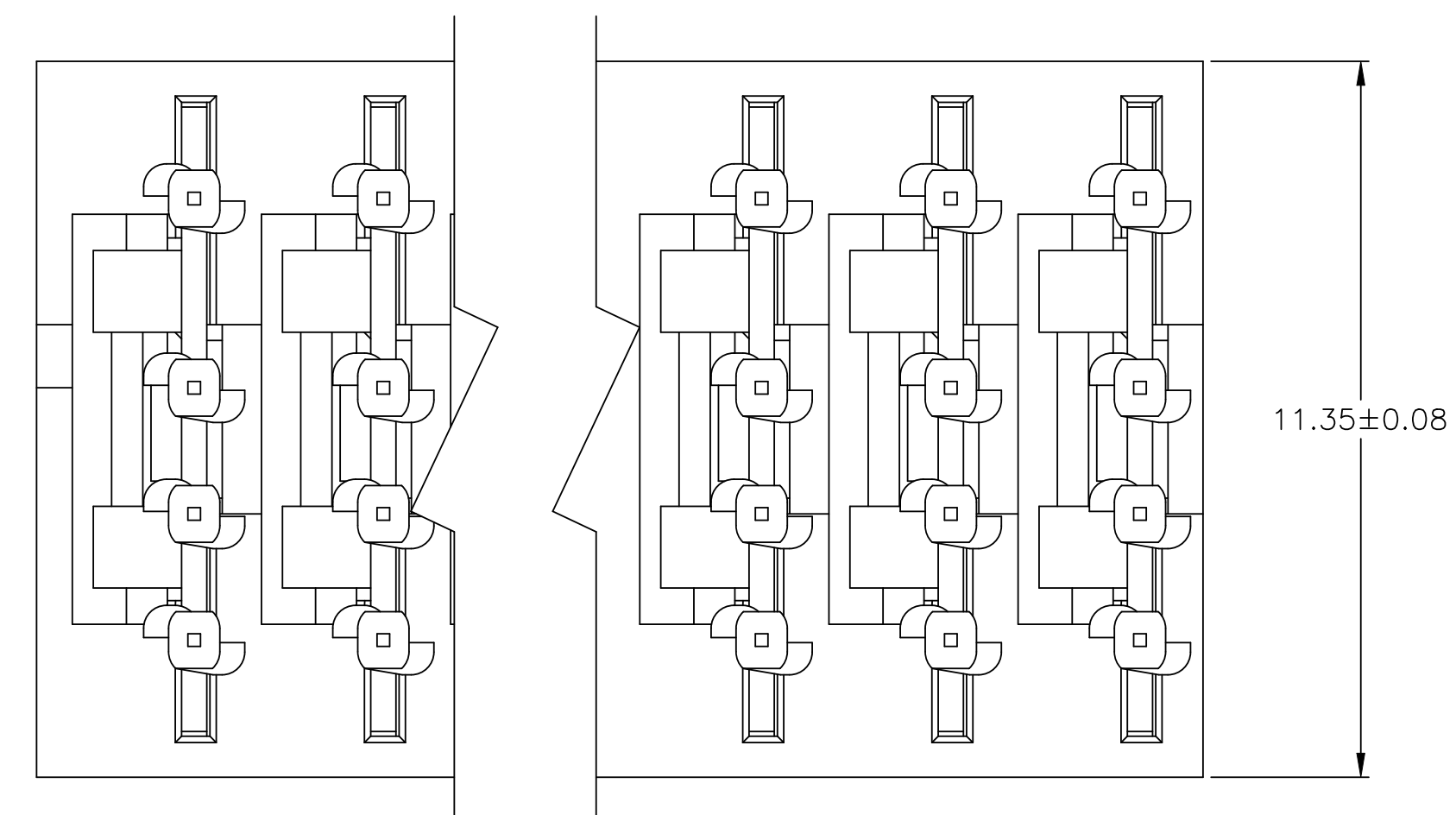


REVISIONS				
REV	DESCRIPTION	DATE	BY	APP'D
B5	ADDED NEW DASH NUMBER -52, AND -53	17APR2023	DP	HW



- 1 MATERIAL: HOUSING : POLYESTER, GRAY. UL 94V-0. CONTACT: HIGH CURRENT COPPER ALLOY.
- 2 FINISH: IN ACCORDANCE WITH PRODUCT SPECIFICATION 108-1651, GOLD PLATING OR EQUIVALENT PLATING ON PRODUCT CONTACT MATING AREA, AND MATTE TIN PLATING ON COMPLIANT PIN AREA, ALL OVER MATTE NICKEL UNDERPLATED. DETAIL PLEASE REFER TO PRODUCT SPECIFICATION 108-1651.
- 3 TOLERANCE TO BE ±0.28 AFTER CONNECTOR IS APPLIED TO PC BOARD.
- 4 DATE CODE THIS APPROXIMATE AREA, OPPOSITE SIDE.
- 5 REFERENCE APPLICATION SPEC 114-1103 FOR RECOMMENDED PLATED THRU HOLE DIAMETER AND PLATING THICKNESS.
- 6 CURRENT RATING 16A/CONTACT PER PRODUCT SPEC 108-1651.
- 7 FINISH: CONTACT LUBRICATION WITH BELLCORE APPROVED LUBRICANT. TECHNICAL REFERENCE: GR-1217-CORE ISSUE 1, NOVEMBER 1995.
- 8 MATERIAL: HOUSING : POLYESTER, BLACK. UL 94V-0. CONTACT: HIGH CURRENT COPPER ALLOY.
- 9 HALOGEN FREE PN

NOTE	PLATING	POSITION	B REF	A	PART NUMBER
9		6	18.5	5	5-120953-3
9		5	15.5	4	5-120953-2
8		4	12.5	3	1-120953-0
		12	36.5	11	120953-9
		11	33.5	10	120953-8
		10	30.5	9	120953-7
		9	27.5	8	120953-6
		8	24.5	7	120953-5
		7	21.5	6	120953-4
		6	18.5	5	120953-3
		5	15.5	4	120953-2
		4	12.5	3	120953-1

RECOMMENDED PCB HOLE LAYOUT

THIS DRAWING IS A CONTROLLED DOCUMENT. DIM: B CARBO 130CT04
 DR: R PATTERSON 130CT04
 APVD: R PATTERSON 130CT04
 NAME: R PATTERSON
 PRODUCT SPEC: 108-1651
 APPLICATION SPEC: 114-1103
 SIZE: A1 CAGE CODE: 00779 DRAWING NO: 120953
 WEIGHT: 0.000000
 CUSTOMER DRAWING: 10:1 SCALE SHEET 1 OF 1 REV B5