

1604089-1 ✓ ACTIVE

AMP | AMP CPC

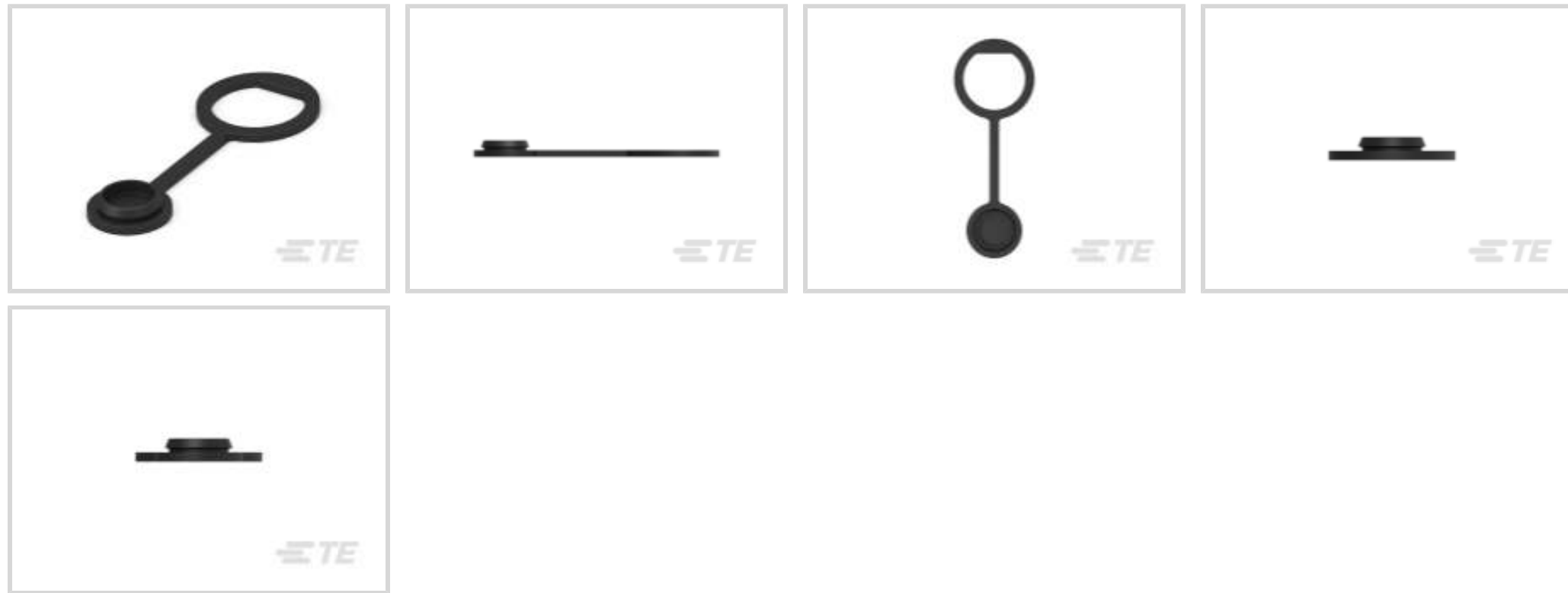
TE Internal #: 1604089-1

Circular Connector Caps & Covers, Dust Cap, Size 8, Push/Pull, -67
– 221 °F [-55 – 105 °C], AMP CPC

[View on TE.com >](#)



Connectors > Circular Connectors > Circular Connector Accessories > Circular Connector Caps & Covers > Mini CPC Connector Accessories



Connector Cover Type: **Dust Cap**

Compatible With Connector Shell Size: **8**

Component Retention Feature: **Push/Pull**

Operating Temperature Range: **-55 – 105 °C [-67 – 221 °F]**

[All Mini CPC Connector Accessories \(2\)](#)

Features

Product Type Features

Connector Cover Type	Dust Cap
----------------------	----------

Body Features

Primary Product Material	Elastomer
--------------------------	-----------

Primary Product Color	Black
-----------------------	-------

Mechanical Attachment

Component Retention Feature	Push/Pull
-----------------------------	-----------

Usage Conditions

Operating Temperature Range	-55 – 105 °C[-67 – 221 °F]
-----------------------------	----------------------------

Operation/Application

Compatible With Connector Shell Size	8
--------------------------------------	---

Packaging Features

Packaging Quantity	1000
--------------------	------

Packaging Method	Box
------------------	-----



Product Compliance

[For compliance documentation, visit the product page on TE.com>](#)

EU RoHS Directive 2011/65/EU	Compliant
EU ELV Directive 2000/53/EC	Compliant
China RoHS 2 Directive MIIT Order No 32, 2016	No Restricted Materials Above Threshold
EU REACH Regulation (EC) No. 1907/2006	Current ECHA Candidate List: JUNE 2023 (235) Candidate List Declared Against: JUNE 2022 (224) Does not contain REACH SVHC
Halogen Content	Low Halogen - Br, Cl, F, I < 900 ppm per homogenous material. Also BFR/CFR/PVC Free
Solder Process Capability	Not reviewed for solder process capability

Product Compliance Disclaimer

This information is provided based on reasonable inquiry of our suppliers and represents our current actual knowledge based on the information they provided. This information is subject to change. The part numbers that TE has identified as EU RoHS compliant have a maximum concentration of 0.1% by weight in homogenous materials for lead, hexavalent chromium, mercury, PBB, PBDE, DBP, BBP, DEHP, DIBP, and 0.01% for cadmium, or qualify for an exemption to these limits as defined in the Annexes of Directive 2011/65/EU (RoHS2). Finished electrical and electronic equipment products will be CE marked as required by Directive 2011/65/EU. Components may not be CE marked. Additionally, the part numbers that TE has identified as EU ELV compliant have a maximum concentration of 0.1% by weight in homogenous materials for lead, hexavalent chromium, and mercury, and 0.01% for cadmium, or qualify for an exemption to these limits as defined in the Annexes of Directive 2000/53/EC (ELV). Regarding the REACH Regulation, the information TE provides on SVHC in articles for this part number is based on the latest European Chemicals Agency (ECHA) 'Guidance on requirements for substances in articles' posted at this URL: <https://echa.europa.eu/guidance-documents/guidance-on-reach>

Compatible Parts



Also in the Series | [AMP CPC](#)



Circular Connector Adapters(7)



Circular Connector Caps & Covers(16)



Circular Connector Hardware(3)



Circular Connector Keying Plugs(2)



Circular Power Connectors(459)



Connector Backshells(56)



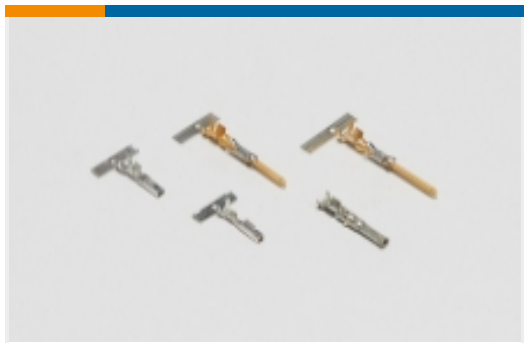
Connector Seals & Cavity Plugs(36)



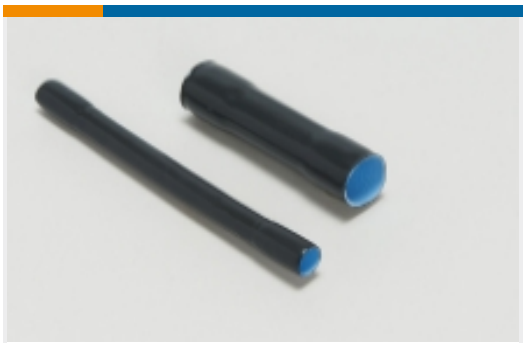
Connector Strain Relief(6)



Insertion & Extraction Tools(1)



Power Contacts(6)



Sealing Sleeves(2)

Customers Also Bought



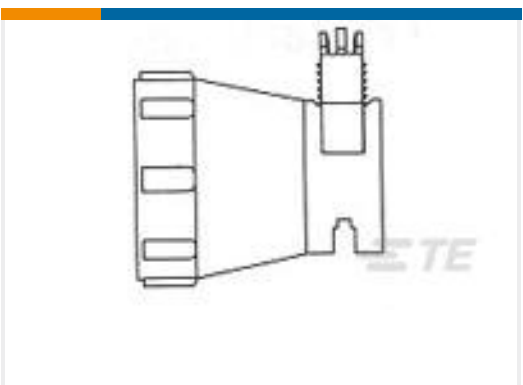
TE Part #1445535-1
Mini Circular Plastic Connectors (CPC)



TE Part #YD369-G99-NP400000
369 9 WAY INLINE 90 PCB REC,
GOLD, PIN



TE Part #1604196-1
NUT, JAM, 5/8-24, PKG QTY 100



TE Part #1445730-1
STRN RELIEF ASY, STRT SIZE 8



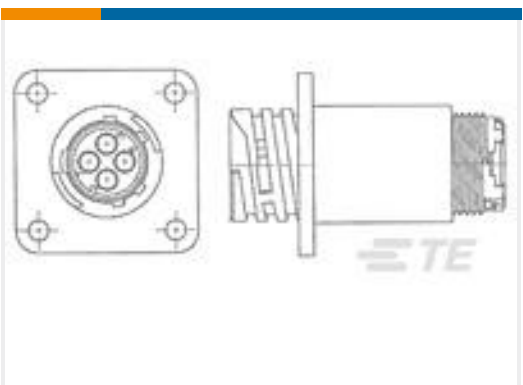
TE Part #1-770985-0
MINI UMNL PIN 26-22AWG AU LP



TE Part #1-770988-0
MINI UMNL SOK 22-18AWG AU



TE Part #1-770986-0
MINI UMNL SOK 26-22AWG AU LP



TE Part #1977879-1
SLD CPC RCPT ASSY, 11-4, REV SEX,
UV RESIS

Documents



Product Drawings

[CAP,DUST,SIZE 8](#)

English

CAD Files

Customer View Model

[ENG_CVM_1604089-1_A.3d_igs.zip](#)

English

Customer View Model

[ENG_CVM_1604089-1_A.3d_stp.zip](#)

English

Customer View Model

[ENG_CVM_1604089-1_A.2d_dxf.zip](#)

English

3D PDF

English

By downloading the CAD file I accept and agree to the [Terms and Conditions](#) of use.

Datasheets & Catalog Pages

[1-1773902-9_CPC_Catalog](#)

English

[1-1773902-9_CPC_Catalog](#)

[1-1773902-9_CPC_Catalog](#)

German

[1-1773902-9_CPC_Catalog](#)

Japanese

[AMP Circular Connectors for Commercial Signal & Power Applications Continued](#)

English

Product Specifications

[Application Specification](#)

English