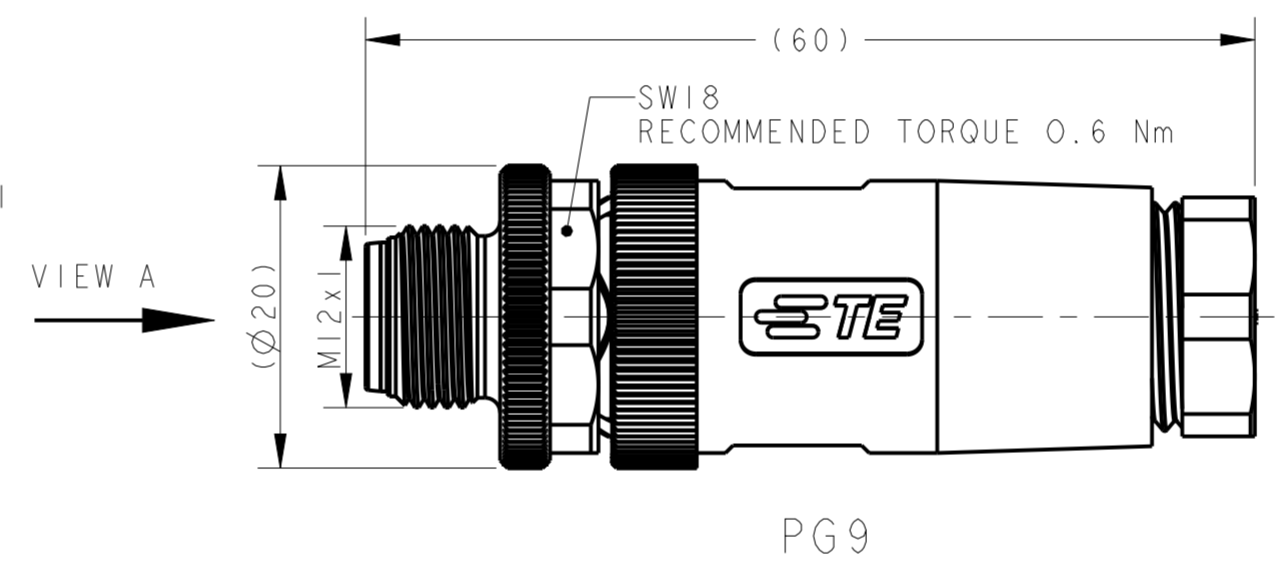
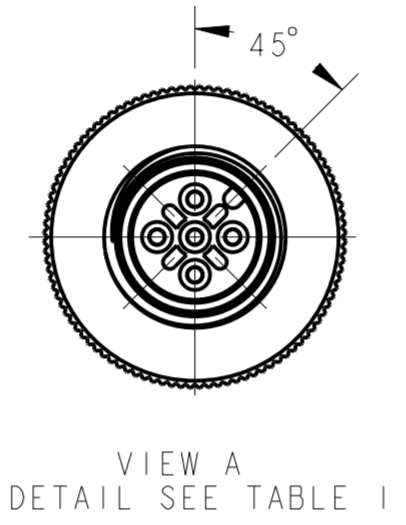
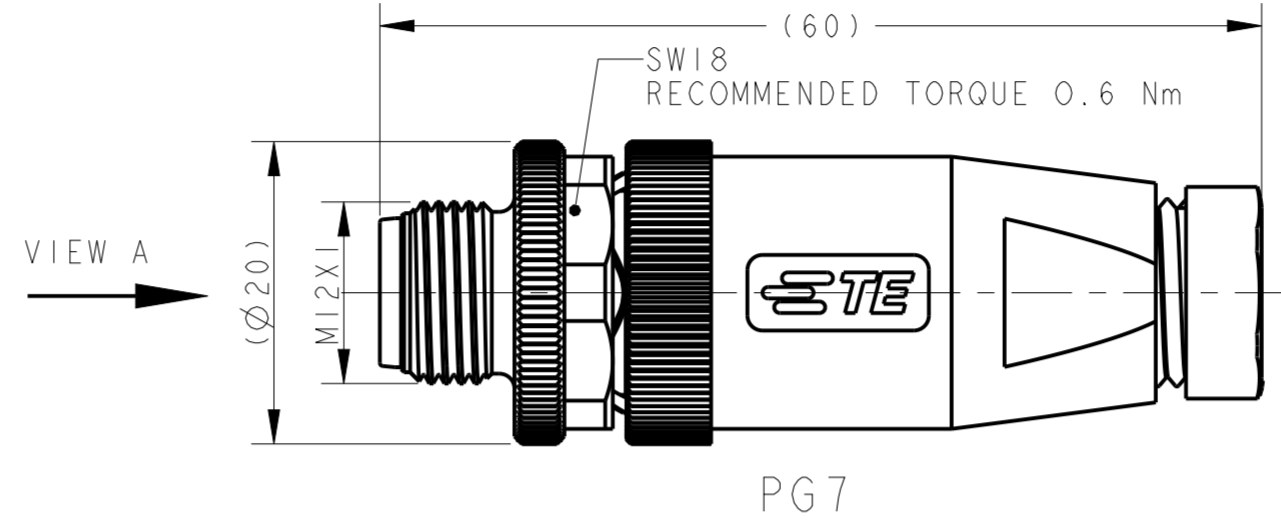


THIS DRAWING IS UNPUBLISHED. RELEASED FOR PUBLICATION 20
 © COPYRIGHT 20 BY - ALL RIGHTS RESERVED.

REVISIONS				
P	LTR	DESCRIPTION	DATE	APVD
A		INITIAL RELEASE	08JUN2021	BP CW

TECHNICAL DATA	T411100X02X-000	T411100X03X-000	T411100X04X-000	T411100X05X-000	T411100X08X-000
RATED VOLTAGE	250V	250V	250V	60V	30V
RATED CURRENT	4A	4A	4A	4A	2A
POLLUTION DEGREE	3	3	3	3	3
OVERVOLTAGE CATEGORY	II	II	II	II	II
MATERIAL GROUP	II	II	II	II	II
INSULATION RESISTANCE	>100MΩ	>100MΩ	>100MΩ	>100MΩ	>100MΩ
DEGREE OF PROTECTION	IP67	IP67	IP67	IP67	IP67
OPERATION TEMPERATURE	-40~85°C	-40~85°C	-40~85°C	-40~85°C	-40~85°C

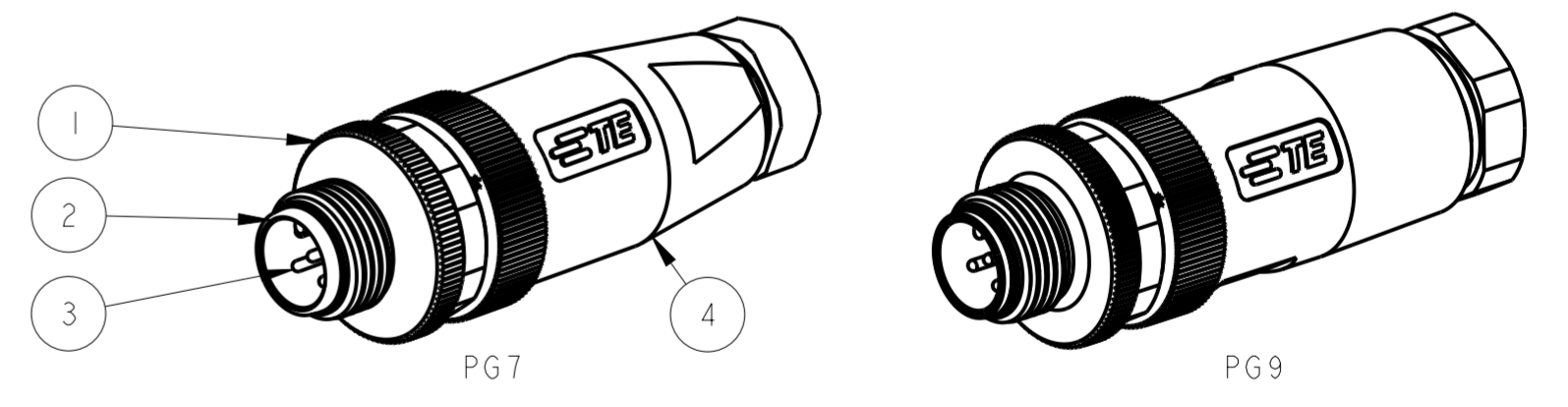
- NOTE:
- MATERIAL:
 - ITEM NO.1: NUT -BRASS
 - ITEM NO.2: HOUSING -PA
 - ITEM NO.3: CONTACT -BRASS
 - ITEM NO.4: HOUSING BODY: -PBT+GF
 - CONTACT FINISH:
 - GOLD OVER NICKEL OR SILVER OVER NICKEL
 - CABLE WIRES:
 - 18AWG/0.75mm² Max. FOR 2-5 PINS
 - 20AWG/0.50mm² Max. FOR 8 PINS
 - ALL DIMENSIONS ARE FOR NOMINAL REFERENCE ONLY UNLESS OTHERWISE STATED
 - PACKAGEING: 1PIECE IN A BAG
 - PN INFORMATION



T411100XXXX-000

CONTACT FINISH:	
1: GOLD OVER NICKEL	
2: SILVER OVER NICKEL	
NUMBERS OF PINS:	
02: 2 PINS	
03: 3 PINS	
04: 4 PINS	
05: 5 PINS	
08: 8 PINS	
CABLE OUTLET:	
1: PG7(CABLE FEED: 4-6mm)	
2: PG9(CABLE FEED: 6-8mm)	
BRAND:	
T: W/ TE LOGO	

TABLE I PIN ARRANGEMENT A-CODE		
T411100X02X-000	T411100X03X-000	T411100X04X-000
T411100X05X-000	T411100208X-000	



DESCRIPTION	TE PN	ENTRELEC PN
M12-MS-4CON-PG7-MU	T4111001041-000	ISET310309R0000
M12-MS-5CON-PG7-MU	T4111001051-000	ISET310311R0000
M12-MS-4CON-PG9-MU	T4111002041-000	ISET310319R0000
M12-MS-5CON-PG9-MU	T4111002051-000	ISET310321R0000
M12-MS-8CON-PG9-MU	T4111002081-000	ISET310323R0000

THIS DRAWING IS A CONTROLLED DOCUMENT.		DWN: 08JUN2021 BLAZE PENG	ENTRELEC Electrical Solutions	
DIMENSIONS: mm		CHK: 08JUN2021 KEVIN HUANG		
TOLERANCES UNLESS OTHERWISE SPECIFIED:		APVD: 08JUN2021 CHRIS WANG	NAME: M12 MALE, A CODE, STRAIGHT UNSHIELDED CONNECTOR SCREW TERMINAL	
0 PLC ±0.2		PRODUCT SPEC: 108-106140	SIZE: A2	
1 PLC ±0.2		APPLICATION SPEC: 114-137144	CAGE CODE: -	
2 PLC ±0.2		WEIGHT: -	DRAWING NO: C-ISET311F07R0000	
3 PLC ±		MATERIAL: -	RESTRICTED TO: -	
4 PLC ±		FINISH: -	SCALE: 1:1	
ANGLES ±		Customer Drawing		
FINISH ±		SHEET OF REV A		